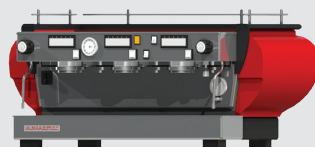


# manual

## linea & fb70

The Linea's straight lines and simple charm occupy many cafes, roasters and chains, whose names define the industry. The Linea is the classic La Marzocco machine that has long supported and helped to develop the specialty coffee industry since the 1990s. It is a heavy duty workhorse that performs reliably in the highest volume settings. Tried and true machine, the Linea is perfect for your new cafe, bar, or restaurant.



**la marzocco**  
handmade in florence

# linea & fb70

Operating Manual V1.1 - 11/2014



**la marzocco**

handmade in florence

## Chapters

1. General Warnings and Safety Specifications	page 2
2. Definition of Available Models	page 4
3. Installation	page 7
4. Machine Operation and Coffee Preparation	page 11
5. PID Temperature Controller	page 16
6. Dispensing Steam and Hot Water	page 18
7. Maintenance and Periodic Cleaning Operations	page 19
8. De-commissioning and Demolition	page 21
9. Mandatory Maintenance and Check-up Operations	page 22

La Marzocco S.r.l.

Via La Torre 14/H  
Località La Torre  
50038 Scarperia e San Piero  
(Firenze) - ITALIA

[www.lamarzocco.com](http://www.lamarzocco.com)  
[info@lamarzocco.com](mailto:info@lamarzocco.com)

T: +39 055 849 191  
F: +39 055 849 1990

certifications available:



## 1. General Warnings and Safety Specifications

**⚠ WARNING ⚠**  
**THIS MACHINE IS FOR PROFESSIONAL USE ONLY AND SHOULD BE INSTALLED IN LOCATIONS WHERE ITS USE AND MAINTENANCE IS RESTRICTED TO TRAINED PERSONNEL. CHILDREN ARE FORBIDDEN TO OPERATE OR PLAY WITH THE MACHINE.**

- 1) This operating manual is an integral and essential part of the product and must be supplied to users. Users are asked to read the enclosed warnings carefully, as they provide valuable information concerning safety during installation, operation and maintenance.  
 This manual must be kept in a safe place and be available for consultation to new and experienced users alike.
- 2) Make sure of the product's integrity by inspecting the packaging, making sure it presents no signs of damage which might have affected the enclosed machine.
- 3) Check the machine's integrity after having carefully removed the packaging. When in doubt, do not proceed, contact your dealer or retailer immediately. They will send out specialized personnel authorized to do work on the machine.
- 4) Packaging (boxes, plastic bags, foam parts and whatever else) must not be left around within easy reach of children, due to the potential danger it represents, nor be discarded in the environment.
- 5) Check to see that data on the rating plate correspond to those of the mains electrical supply to which the machine will be hooked up.  
 The installation must be done according to current regulations and to the manufacturer's instructions, and must be performed by qualified and authorized personnel. This machine should not be installed in kitchens.  
Incorrect installation may be cause for injury/damage to people, animals or objects, for which the manufacturer shall not be held responsible.  
 Safe electrical operation of this device will be achieved only when the connection to the power outlet has been completed correctly and in observance of current safety regulations, and particularly by grounding the unit very carefully. Make sure grounding has been done correctly as it represents a fundamental safety requirement and, in case of doubt, do not hesitate to have qualified personnel check such connection.  
 Furthermore, you must ensure that the capacity of the available electrical system is suitable for the maximum power consumption indicated on the rating plate; make sure also that electrical cables are of a suitable size.  
 We do not recommend using adapters, multiple plugs and/or extension cords. If you cannot avoid using them, make sure that they are exclusively of the kind which conforms to current safety regulations, being careful not to exceed the power and current ratings indicated on such adapters and extension cords.
- 6) This device must be used exclusively for the functions it has been designed and built for. Any other application is inappropriate and dangerous. The manufacturer shall not be held responsible for any damage caused by improper and irrational use. This equipment must be installed to comply with applicable federal, state or local plumbing codes.
- 7) Using any electrical device requires that certain fundamental rules be observed. In particular:
  - do not touch the device when you have wet or humid hands and feet;
  - do not use the device without shoes on your feet;
  - do not use extension cords in bath or shower rooms;
  - do not unplug the device from the power outlet by pulling on the power supply cable;
  - do not expose the device to atmospheric agents (rain, sun, etc.);
  - do not allow children or untrained people to use this device;
  - do not clean the control panel with a wet cloth since it is not watertight.

8) Before carrying out any maintenance and/or cleaning operations, turn the main switch, which is located on the machine, to the "0" position, and disconnect the machine from the electrical network by unplugging the cord or by switching off the relative circuit breaker. For any cleaning operation, follow exclusively the instructions contained in this manual.

9) When the machine is operating in a faulty manner or breaks down, disconnect it from the electrical network (as described in the preceding point) and close the water supply tap. Do not attempt to repair it, and contact qualified and authorized professionals. Any repairs must be performed exclusively by the manufacturer or by an authorized centre using only original parts. Non compliance with the above forfeits the warranty and could compromise the safe operation of the machine.

10) You should plan to make use of an omnipolar connector during installation, as required by current safety regulations, complete with fuses suitable to bear the power of the machine being connected.

11) In order to avoid dangerous overheating problems, it is recommended that the power supply cable be fully unfurled.

12) Do not obstruct air intake and exhaust grilles and, in particular, do not cover the cup warmer tray with cloths or other items.

13) The machine's power supply cable must not be replaced by users, as also specified on the rating plate located near the outlet of such cable, on the body. If the cable gets damaged, shut off the machine (as described in point 8) and close off the water supply; to replace it, contact exclusively qualified professionals.

**CAUTION**

AS ALREADY MENTIONED IN THE PRECEDING NOTES, THE MANUFACTURER SHALL NOT BE HELD RESPONSIBLE FOR DAMAGE TO OBJECTS, ANIMALS AND/OR PEOPLE WHENEVER THE MACHINE HAS NOT BEEN INSTALLED ACCORDING TO THE INSTRUCTIONS CONTAINED IN THIS MANUAL, AND IS NOT USED TO DO WHAT IT WAS DESIGNED FOR (i.e. PREPARING COFFEE AND HOT DRINKS).

**WARNING**

THIS MACHINE IS NOT SUITABLE FOR OUTDOOR USE. JETS OF WATER SHOULD NOT BE USED TO CLEAN THE MACHINE, NOR SHOULD IT BE PLACED WHERE WATER JETS ARE USED.

Everything set out in this operating manual is also valid for the "FB/70" series. The only differences are the external dimensions of the machine.



#### COMMON DIMENSIONS AND WEIGHTS FOR THE LINEA SERIES

LINEA	1 gr	2gr	3gr	4gr
A cm/inch	45.5/18	45.5/18	45.5/18	45.5/18
B cm/inch	56/22	56/22	56/22	56/22
C cm/inch	49/20	69/28	93/37	117/46
WEIGHT kg/lb	44/97	58/128	74/163	92/203

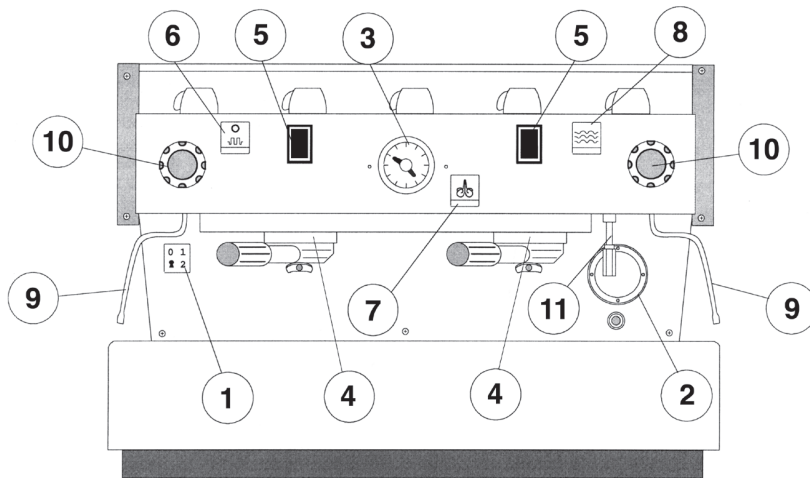
#### COMMON DIMENSIONS AND WEIGHTS FOR THE FB/70 SERIES

FB/70	2gr	3gr	4gr
A cm/inch	45.5/18.5	45.5/18.5	45.5/18.5
B cm/inch	64/25.5	64/25.5	64/25.5
C cm/inch	84/33	108/42.5	135/52.25
WEIGHT kg/lb	58/128	74/163	92/203

## 2. Definition of Available Models

**This operating manual refers exclusively to the following models, of our own manufacture:**

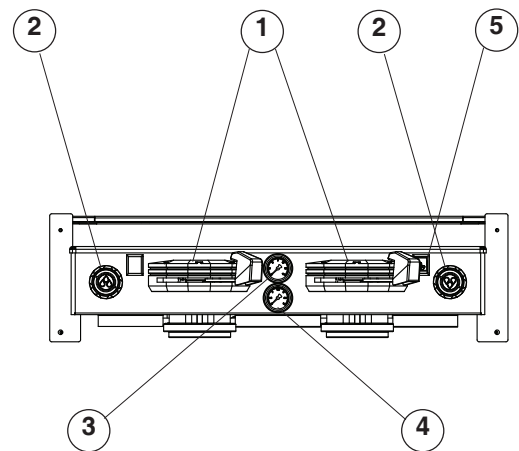
EE Model, AV Model, PADDLE Model with 1, 2, 3 and 4 groups



**Legend**

- |  |                             |
|--|-----------------------------|
| <b>1</b> Main Switch                         | <b>7</b> Hot water switch   |
| <b>2</b> Water level sight glass             | <b>8</b> Manual fill switch |
| <b>3</b> Pressure gauge                      | <b>9</b> Steam nozzle/wand  |
| <b>4</b> Coffee groups                       | <b>10</b> Steam knob        |
| <b>5</b> Coffee brewing control switch       | <b>11</b> Hot water nozzle  |
| <b>6</b> Cup warmer switch (non-UL machines) |                             |

**fig. 1 - EE Model available with 1, 2, 3 and 4 groups**



**fig. 2 - Front panel of PADDLE model available with 1, 2, 3 and 4 groups**

## General description

The models AV, EE and PADDLE are built in the 1, 2, 3 and 4 group versions and are essentially composed of the following parts:

1. Water boiler (produces steam and hot water);
2. Coffee ("saturation") boiler;
3. Brewing groups;
4. Exterior;
5. Motor pump;

## Description of the various parts

### 1. Steam Boiler

The steam boiler consists of a cylindrical tank, of varying length according to the number of coffee groups, which is made of stainless steel. Each unit is subjected to a hydraulic test, at a pressure of 3 bar, and has an operating pressure of 1.5 bar. In the following, you will find a list of effective volumes and standard power ratings according to the number of groups installed:

1 group	3.5 litres	1300 Watts
2 groups	7 litres	2000 Watts
3 groups	11 litres	3000 Watts
4 groups	14.5 litres	3800 Watts

Higher powered heating elements are available for steam boilers in some markets. Covers are installed at either end of the cylindrical tank and on one of them there is a housing for the water heating and vapourizing electrical elements, which allow reaching operating pressure within

5

25' approximately. Operating pressure is maintained by a pressure switch. The water boiler has various fittings used for safety devices, for supplying hot water and steam, and for the power supply.

### 2. Coffee Boiler

The coffee boiler is subjected to a hydraulic test, at a pressure of 16 bar, and has an operating pressure of 9 bar. In the following, you will find a list of effective volumes and power ratings according to the number of groups installed:

1 group	1.8 litres	1000 Watts
2 groups	3.4 litres	1400 Watts
3 groups	5.0 litres	1600 or 1900 Watts
4 groups	3.4 + 3.4 litres	1400 +1400 Watts (2boilers installed)

It consists of a cylindrical tank, of varying length according to the number of coffee groups, which is made of stainless steel. Covers are installed at either end of the cylindrical tank and on one of them there is a housing for the water heating and vapourizing electrical elements, regulated by a precision PID Controller with a dT of  $\pm 0.5^{\circ}\text{C}$  which keeps the water temperature constant. This temperature can be adjusted to reach optimal temperature according to the type of coffee blend being used. The groups are welded to the boiler.

### 3. Brewing Groups

The brew groups are made of stainless steel, in which you engage the portafilter

used to hold the ground coffee; the espresso flows from the group, through a spout, into the cup(s) after the brewing button has been pressed.

### 4. Exterior

The exterior consists of painted and stainless sheet steel panels. To provide good aesthetics, to optimize ergonomics for the operator and to reduce the chance of damage to a minimum.

### 5. Motor Pump

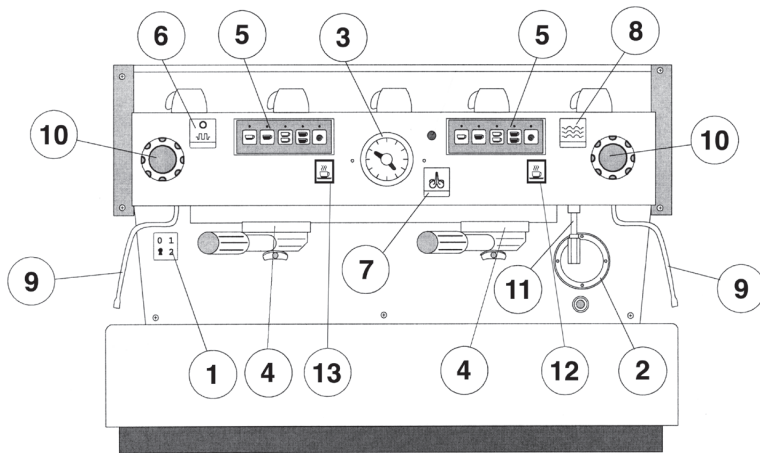
The rotary vane pump, is installed on the water supply tubing and is set up to operate anytime the coffee groups are activated, and through an autofill system whenever the water boiler needs to be replenished.

**▲ WARNING ▲**

THE COFFEE BOILER AND STEAM BOILER CONTAIN WATER AT ELEVATED TEMPERATURE. WATER TEMPERATURE OVER 125°F/52°C CAN CAUSE SEVERE BURNS INSTANTLY OR DEATH FROM SCALDING (COFFEE BOILER 200°F/93.3°C-STEAM BOILER 260°F /127°C)

**▲ WARNING ▲**

THIS APPLIANCE IS NOT INTENDED FOR USE BY PERSONS (INCLUDING CHILDREN) WITH REDUCED PHYSICAL, SENSORY OR MENTAL CAPABILITIES, OR LACK OF EXPERIENCE AND KNOWLEDGE, UNLESS THEY HAVE BEEN GIVEN SUPERVISION OR INSTRUCTION CONCERNING THE USE OF THE APPLIANCE BY A PERSON RESPONSIBLE FOR THEIR SAFETY.



### General Description

The AV model machine is built in the 1, 2, 3, and 4 group versions and is essentially composed of the same parts as EE model.

This model differs from EE model in that it allows the operator to choose four different quantities of water for brewing coffee. Each group, therefore, is provided with a 5 button control panel, allowing a combination of:

- a quantity of water for one normal espresso coffee;
- a quantity of water for one tall coffee;
- a quantity of water for two normal coffees;
- a quantity of water for two tall coffees.

The fifth button is used to program the other ones, as we shall see later, and as an on-off switch for continuous brewing.

**Fig. 3 - AV model available with  
1, 2, 3 and 4 groups**

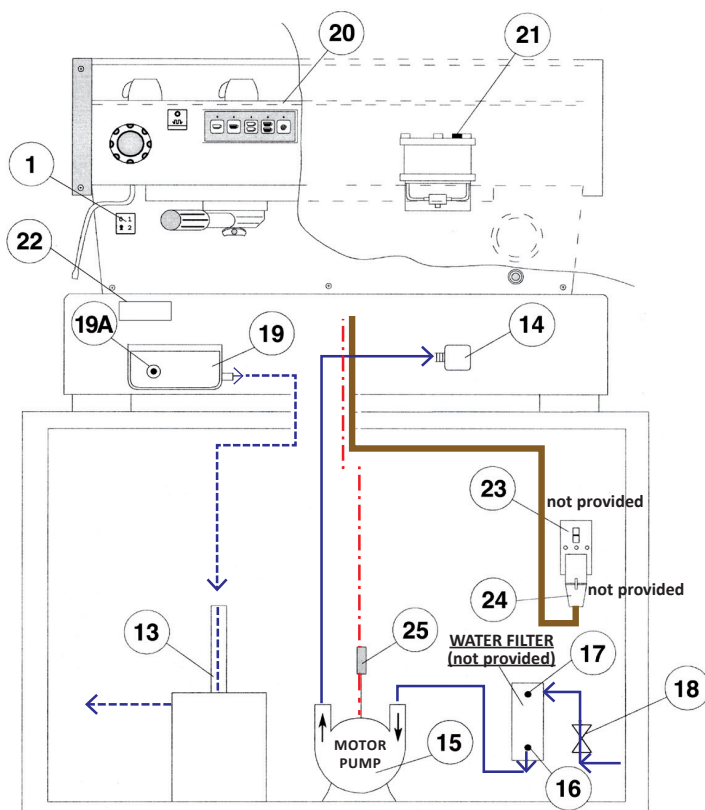
### Legend

- |           |  |
|-----------|--|
| <b>1</b>  | Main Switch                                |
| <b>2</b>  | Water level sight glass                    |
| <b>3</b>  | Pressure gauge                             |
| <b>4</b>  | Coffee groups                              |
| <b>5</b>  | Coffee dispensing control panel (AV model) |
| <b>6</b>  | Cup warmer switch (non-UL machines)        |
| <b>7</b>  | Hot water switch                           |
| <b>8</b>  | Manual fill switch                         |
| <b>9</b>  | Steam nozzle/wand                          |
| <b>10</b> | Steam knob                                 |
| <b>11</b> | Hot water nozzle                           |
| <b>12</b> | Manual brew switch                         |



**Coffee brewing control panel for the AV model**

## 3. Installation



## Legend

	380/220/200 Volt cable
	220/200 Volt cable
	Water tubing
	Drain tubing

1	Main Switch	19A	Expansion valve
13	Drain piping	20	Group cover
14	Terminal	21	Bleed screw
15	Motor pump	22	PID Temperature Controller
16	Filter outlet	23	Switch (not provided)
17	Filter inlet	24	Plug (not provided)
18	Tap	25	Connectors
19	Drain wells		

**WARNING**

THE COFFEE MACHINE MUST BE PLACED IN A HORIZONTAL POSITION ON A COUNTER HIGHER THAN 80CM FROM THE GROUND.

**WARNING**

THE MACHINE IS INTENDED TO BE PERMANENTLY CONNECTED TO FIXED WIRING, AND IT IS ADVISABLE THAT A RESIDUAL CURRENT DEVICE (RCD) WITH A RATED RESIDUAL OPERATING CURRENT NOT EXCEEDING 30MA IS INSTALLED.

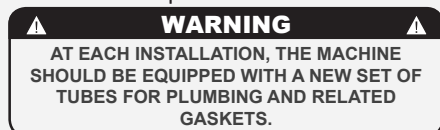
Fig. 4

## MODELS "EE" "AV" and "PADDLE" 1, 2, 3 and 4 groups

### 1) Accessories

Check the package to make sure that the following accessories are included:

- a number of 1-dose and 2-dose portafilters according to the number of groups;
- replacement 1-dose and 2-dose filter baskets
- 1 tamper
- 1 blind filter
- cleaning detergent, for the groups
- 3 stainless steel braided hoses for water connections
- 1,5 mt of reinforced plastic tubing for drainage
- 1 hose clamp



In order to proceed with installation, it is necessary that the following are available:

- Pipes carrying drinking water with a 3/8" G (BSP) end connection; (3/8" Compression for USA and Canada)
- Electrical Supply according to the specification of the espresso machine purchased (not all specifications are available in all markets):

- Single/Three phase 220VAC - 50/60 Hz electrical connection with ground, protected receptacle and approved circuit breaker
- Single phase 200VAC - 50/60 Hz electrical connection with ground, protected receptacle and approved circuit breaker
- Three-phase, 380VAC - 50/60 Hz electrical connection with neutral + ground, near the bench on which the machine is installed and terminating in a suitable protected fivepole receptacle equipped with an approved circuit breaker
- Waste water drain system

#### Note:

- The drinking water mains valve and the circuit breakers for the electrical system need to be located in the most convenient position for the operator to access them easily and quickly.
- The machine should be placed on a flat counter and must be placed in settings with the following temperatures:  
Minimum room temperature: 5°C/41°F  
Maximum room temperature: 32°C/89°F
- If the machine has been temporarily housed in settings with a room temperature of less than 0°C/32°F, please contact a service technician prior to use.
- Water pressure supply must be between 2 and 6 bar.



### 2) Water supply connection

In order to connect the machine up to the water mains proceed according to the indications given in the chapter about Installation and in compliance with any local/national safety standards of the location in which the machine is being installed.

To guarantee a correct and safe functioning of the machine and to maintain an adequate performance level and a high quality of the beverages being brewed it is important that the incoming water be of a hardness greater than 9°f (90ppm, 5°d) and less than 15°f (150ppm, 8.4°d), pH should be between 6.5 and 8.5 and the quantity of chlorides be less than 50mg/l . Respecting these values allows the machine to operate at maximum efficiency. If these parameters are not present, a specific filtration device should be installed, while always adhering to the local national standards in place regarding potable water.

Then connect the inlet of the water filter/softener (if present) to the drinking water supply using one of the supplied stainless steel braided hoses. Before connecting the filter to the water pump, flush the

water supply line and the filtration system in order to eliminate any residual particles which could otherwise get stuck in taps or valves thus preventing them from working properly. Connect the water supply connection of the espresso machine to the water pump outlet using one of the supplied stainless steel braided hoses. Then connect the water pump inlet to the water filter/softener outlet (if present).

**Note:** Make sure that water supply is always on while the pump is operating, otherwise air can be introduced into the brew boiler causing an undesirable condition and damage to the pump.

### 3) Electrical connections

**CAUTION**  
BEFORE MAKING ANY ELECTRICAL CONNECTIONS MAKE SURE THAT THE TWO STRAIN RELIEF CONNECTORS ARE FIRMLY SECURED TO THE BODY OF THE MACHINE IN ORDER TO PREVENT INADVERTENT STRESS ON THE POWER CABLES.

**WARNING**  
THE MANUFACTURER DECLINES ANY RESPONSIBILITY FOR ANY EVENT LEADING TO LIABILITY SUITS WHENEVER GROUNDING HAS NOT BEEN COMPLETED ACCORDING TO CURRENT LOCAL, NATIONAL, AND INTERNATIONAL REGULATIONS AND ELECTRICAL CODES, OR OTHER ELECTRICAL PARTS HAVE BEEN CONNECTED IMPROPERLY.

#### a) Power supply cord

- This is the main power supply cable that provides power to the entire espresso machine. There are different types of cable based upon the electrical requirements of the espresso machine purchased:

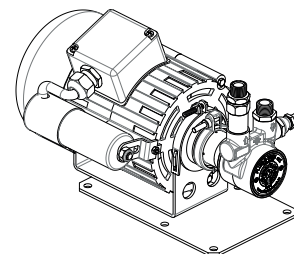
→ 200/220VAC 1 Phase 3-core cable with 2.5/4/6/10mm<sup>2</sup> cross section or AWG 12/10/8 (for UL version), secured to espresso machine via a strain relief connector

→ 220VAC 3 Phase 4-core cable with 4 mm<sup>2</sup> cross section for versions with 1, 2, 3 and 4 groups secured to espresso machine via a strain relief connector

→ 380 VAC 3 Phase 5-core cable with 2.5/6 mm<sup>2</sup> cross section for versions with 1, 2, 3 and 4 groups secured to espresso machine via a strain relief connector.

**WARNING**  
- U.S.A. AND CANADA ONLY -  
DO NOT CONNECT TO A CIRCUIT OPERATING AT MORE THAN 150 V TO GROUND

**WARNING**  
IN ORDER TO PREVENT CRACKS OR LEAKAGE: DO NOT STORE OR INSTALL THE COFFEE MACHINE IN PLACES WHERE TEMPERATURE MAY CAUSE WATER IN BOILER OR HYDRAULIC SYSTEM TO FREEZE.



**WARNING**  
THE MOTOR PUMP MUST BE SITUATED CLOSE TO THE MACHINE IN AN ACCESSIBLE PLACE FOR MAINTENANCE BUT NOT FOR ACCIDENTAL INTERFERENCE AND WHERE THERE IS AN OPTIMAL AIR CIRCULATION

#### b) Water pump motor power cord

This is the power supply for the water pump motor. The internal electronics will switch the pump motor on when needed.

- 3-core cable with 1.5 mm<sup>2</sup> cross section or 3-core AWG 16 (for UL version) secured to espresso machine via a strain relief connector.

#### 4) Waste water drain connection

The espresso machine drain is to be connected by means of the included reinforced plastic tubing. Connect one end of the reinforced plastic tubing to the drain hose connection on the left side of the espresso machine, secure with included hose clamp.

Connect the other end to a suitable waste water collection system.

In case such a system is not available, and if acceptable according to local regulations, drained liquids may be collected in a suitable bucket and any necessary drain pipe extensions shall be made using steel-lined PVC tubing and suitable hose clamps.

## 4. Machine Operation and Coffee Preparation

Once installation has been completed, you can proceed to hook up the filter holders (Fig. 5) called portafilters, together with their filters, to the bottom of the groups by rotating them from left to right. Before operating the various switches and thus powering up the heater elements, fill up the boiler tanks with water, as follows:

### 1. COFFEE BOILER

The water flows inside the coffee boiler directly, as soon as the water system and purifier taps are opened. Since the

inflowing water will compress the air in the boiler it will be necessary, in order to completely "saturate" the boiler-groups assembly, to remove the group cover plate (part 20 Fig. 4) and unscrew the small bolt (part 21) called bleed screws a little way so as to allow air to escape until a few drops of water leak out (see diagram below). This should be repeated for each group, then tighten the bleed screws again and reinstall the cover.

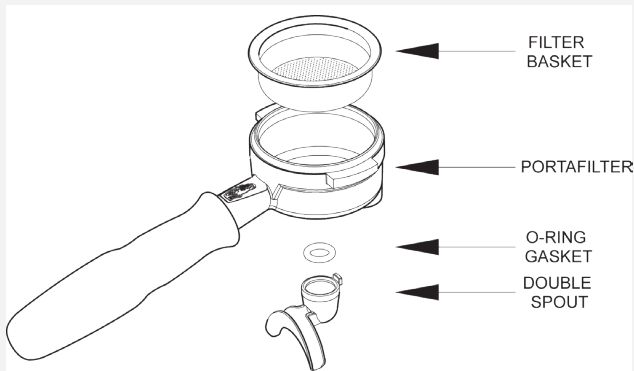
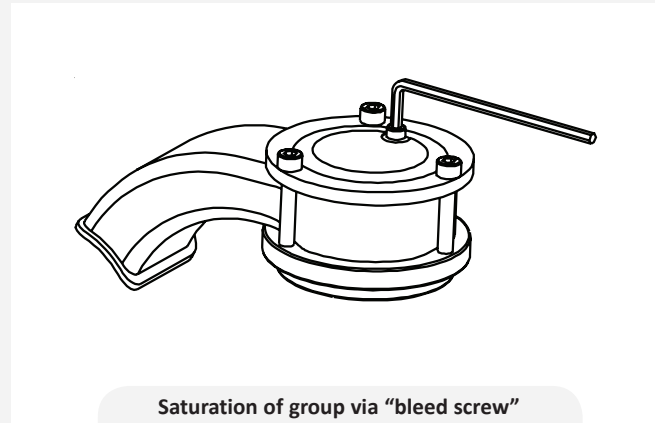


fig. 5 - Portafilter (see also part. 4, fig. 1 or 3)



Saturation of group via "bleed screw"

## 2) STEAM BOILER

By turning the main switch (part 1) to position "1", the automatic fill system will be switched on which, by activating the solenoid valve and the motor pump (part 15), will fill the steam boiler up to a predetermined level selected by adjusting the probe inside the boiler itself.

### N.B.

It may happen that the air inside the boiler builds up pressure (which may be detected through the pressure gauge - part 3, Fig 1, 2 or 3) To resolve this, turn the machine off and bleed the air from the groups (see previous page for instructions). Once you have completed these operations, turn the main switch (part 1) to position "2" and wait for the boilers to reach operating temperature and pressure (which takes from 20 to 35 minutes, depending on the size of machine), which will be subsequently maintained at a constant value automatically.

During this time, the pointer of the lower scale on the pressure gauge (part 3, fig. 1 or 3; or part 4 fig. 2) may reach as high as 11-12 bar; this may occur any time that, while activating the groups, the motor pump forces cold water into the coffee boiler at a pressure of 8-9 bar and, simultaneously, the temperature controller regulating the temperature of 11

the boiler itself switches on the heating elements in order to bring the water contained in such boiler up to operating temperature. However, in this case it is necessary to adjust the expansion valve (Fig. 4, part 19A) in such a way that the pressure may never exceed 12 bar.

### Brewing after first installation

Once the first installation procedures are finished, before proceeding with brewing coffee, hot water and steam, please follow these steps:

- Engage the portafilters by inserting them into each group, brew water through each group for at least two minutes.
- Being careful to avoid burns, turn on each steam wand for at least one minute.
- Turn on the hot water valve for the time necessary to allow the following quantities of water to be brewed:  
At least 1 liter for a 1/2 group machine  
At least 2 liters for a 3 group machine  
At least 3 liters for a 4 group machine



COFFEE BREWING BUTTON (fig.1 part 5)



### For EE model - fig. 1

Take a portafilter and place some ground coffee in the filter itself: the suggested amounts (in grams) to use are laser-marked on the actual filters. Press down on the ground coffee with the supplied tamper and engage the filter holder in the group and then press the switch (part 5) thus allowing coffee to be brewed; when you have obtained your desired amount of coffee, press the switch again (part 5), at which point the machine discharges the pressure built up in the filter holder. The holder may then be removed to proceed with making another coffee, as required.

### For PADDLE model - fig. 2

Take a portafilter and place some ground coffee in the filter itself: the suggested amounts (in grams) to use are laser-marked on the actual filters. Press down on the ground coffee with the supplied tamper and engage the portafilter in the group. Move the paddle handle of the

group from right to left (part 1) thus allowing coffee to be brewed; when you have obtained your desired amount of coffee, return the paddle handle back to original position on the right-hand side, at which point the machine discharges the pressure built up in the portafilter. It may then be removed to proceed with making another coffee, as required. In order to pre-infuse the coffee in the filter, once the portafilter has been engaged in the group, move the paddle handle only half way from the right to left for a few seconds, then move all the way to the left in order to brew your espresso/s, until the desired dose is released in the cup, then turn off by returning the paddle handle to its original position on the right-hand side.

#### **For AV model - fig. 3**

It is essential to program the quantity of water delivered by performing the following operations with the utmost care. In case of doubt or difficulties, please contact our technical service.



COFFEE BREWING CONTROL PANEL (part. 5 fig 3)

#### **Introduction**

The coffee metering system is based on the amount of water which will be

delivered onto the ground coffee, already set in the filter and the portafilter, which is measured through a water volume control system, which is located above the group assembly flange, where the group connects to the boiler. Inside each counter there is a paddle wheel (which we shall call wheel for simplicity) which rotates as water flows by.

The sequence of the water cycle is as follows:

group	→	counter
counter	→	solenoid valve
solenoid valve	→	diffuser
diffuser	→	coffee brewing spout

The wheel is designed in such a way as to rotate freely when water is flowing by; it sends 2 signals, every complete rotation, to the electronic module which processes them and activates the solenoid valve relay of the corresponding group, as well as the motor pump relay.

Such electronic module also processes the signal sent by the boiler's level gauge and consequently activates the relative solenoid valve relay of the same motor pump.

#### **Procedure for programming doses - fig. 3**

##### **Programming for the 3D/5 version**

Press and hold the button with the spiral symbol for more than 4 seconds.



You can then follow the same operations as for the standard version, which are described in the following.

The LEDs stay on for 5 seconds after which, if no button has been pressed, they turn off; you must then repeat the above-mentioned procedure to turn them on again and to prepare the electronic module for programming;

1. Press the first button within 5 seconds and press it again once you have obtained the desired amount of coffee; at this point, the LEDs will turn off and this button will remain programmed as for the dose brewed previously;
2. Repeat steps for the other three buttons; any time a button has been programmed, by pressing the button with the spiral again, the LED of the programmed button(s) will remain switched off.
3. Once you have programmed the first 4 buttons of the first control panel from the left, the dosage programs set according to the above will be stored in memory and the 5th button (the one with the spiral) will return to its function as a continuous brewing on/off button.

**N.B.**

The programs for the first group from the left will become the default programs for the remaining groups, although you may wish to program these groups differently in which case you need to follow steps 1 to 5 for the remaining control panels. The leftmost control panel must be programmed first; indeed, if you were to program this last, all its settings would be automatically transferred to the other groups.

It is recommended that each group be programmed separately, from left to right. Each button also works as a switch and, therefore, you may stop coffee brewing at any time, whenever you have obtained the desired quantity, by pressing the same button.

**Fault warnings**

If the wheel does not send any signals to the electronic module for more than 3-4 seconds, the LED of the button which has been pressed will start flashing. This means that:

A) water is not flowing over the wheel and is therefore not reaching the coffee groups, which may be due to:

1. the ground coffee being too fine meaning that the coffee gets brewed too slowly (drop by drop) and therefore the wheel cannot measure the water

flow within the factory-set time of the electronic module.

2. insufficient water flow through the groups (i.e. onto the coffee powder) probably due to a combination of one or more of the following occurrences:

- partial blockage in one of the pipes;
- a malfunctioning motor pump;
- a malfunctioning solenoid valve;
- partial blockage of the diffuser screen.

B) there are calcium deposits inside the water flow counter which prevent the wheel from turning properly.

C) the wheel itself and the sensor (top part) of the counter, may be faulty.

**Coffee brewing**

Take a portafilter and place some ground coffee in the filter itself: 1 dose for the small filter, 2 doses for the larger filter. Press down on the ground coffee with the supplied tamper and engage the filter holder again into the bottom of the group and then press one of the buttons with the symbols for 1 or 2 cups, short or long



You may press the same button again in order to terminate coffee brewing before its programmed stop. If you need an unusual amount of coffee, you may use the button with the spiral symbol and press it again once you have obtained the desired quantity.



Once the coffee has been completely brewed, the pressure in the filter holder is discharged automatically, the portafilter may then be removed to repeat the operation as needed.

### **GENERAL NOTIONS FOR PREPARING COFFEE**

When the machine has reached its operating pressure, 1.2 - 1.5 bar which may be checked by looking at the upper scale in the pressure gauge (part 3 fig. 1, 2 or 3), and its operating temperature at the same time, with the body/group already at infusion temperature, the filter holder and filter must be heated more since they are at the lowest position of the group itself, and they are partially isolated from the same due to the rubber gasket between them. This operation may be carried out by activating the paddle (fig. 2, part 1) or the switches (part 5, fig. 1 or 3) and keeping them in the brewing position for approx. 45 seconds, at which point they must be turned off and you must wait for 2-3 more minutes. During this time, the pointer of the lower scale of the pressure gauge (part 3, fig. 1 or 3; or fig. 2, part 4) may reach as

high as 11-12 bar; this may occur any time that, while activating the groups, the motor pump forces cold water into the coffee boiler at a pressure of 8-9 bar and, simultaneously, the PID controller regulating the temperature of the boiler itself switches on the heating elements in order to bring the water contained in such boiler up to operating temperature. However, in this case it is necessary to adjust the expansion valve (marked 19A in fig. 4) in such a way that the pressure may never exceed 12 bar.

The size of the coffee granules is extremely important in preparing a good cup of coffee, as is the type of coffee mix used. The ideal grind can be determined by making various coffees using the amount of ground coffee that you would normally use for each cup (we recommend at least 7 g). The best grind is that which allows coffee to flow out from the filter holder spouts neither too slowly nor too quickly.

### **IMPORTANT**

The temperature of the water in the coffee boiler, and therefore of the groups, may eventually be raised or decreased by means of the PID temperature controller (part 22, fig.4) - see next chapter for further details. The final adjustment should be made during tuning-up, once the machine has been permanently installed. The pressure of the water on the coffee during the brewing is very important. For this reason it is important to set the by-pass on the pump at 9 bar. This value changes if there are variations on the incoming pressure from your local water system. If there are variations, make the necessary technical adjustments on the system in order to eliminate them.

## 5. PID Temperature controller

### Description

#### Front display description:

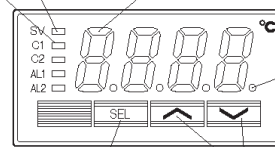
Coffee boiler element Pilot light ①

⑥ SV lamp

② Display

N.B.

In 1,2,3 group machines the PID Controller is installed on left side. In 4 group machines on left and right side.



⑤ Auto-tuning/self-tuning lamp

\*\*\*

PV: Process Value: measured temp

SV: Setting Value: set temp

③ SEL Keys ④ Keys

see also fig. 4 - part. 20

#### 1) Coffee boiler element Pilot light

Lights up while controller output 1 stays ON.  
i.e. heating element is ON

#### 2) Display

Displays the PV (process value) or SV (setting value). When setting a parameter, its name or its value appears.

#### 3) SEL key

Used to switch the PV display to/from the SV display and select a parameter block and a parameter, and register a set value.

#### 4) keys

Used to change the SV, call parameters, and change parameter values.

#### 5) Auto-tuning/self-tuning lamp

Flickers under an auto-tuning or self-tuning operation.  
see detailed info in Manual \* (see page 16)

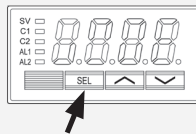
#### 6) SV (setting value) lamp

Displays the PV (process value) in normal conditions (while the lamp is on). Press the SEL key to light up the SV lamp and display the SV. Note that the lamp stays off while parameters and data are displayed.  
It flickers while the display shows the PV (process value) in standby state.

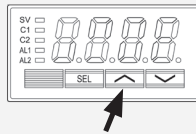
## Basic operations

### How to set and display the values:

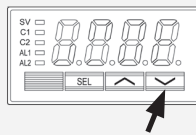
Press the SEL key to display the value



One press to increase the value by 1.  
Press and hold this key to increase to  
desired value then wait a few seconds to  
automatically exit programming function.



One press to decrease the value by 1.  
Press and hold this key to decrease to  
desired value then wait a few seconds to  
automatically exit programming function.



\* For more detailed information on the potential of this device,  
consult the: **PXR3\_Fuji\_Micro\_controller\_Manual.pdf**

For further assistance you may contact the After Sales Department:

enrico@lamarzocco.com  
ettore@lamarzocco.com

## 6. Dispensing Steam and Hot Water

### STEAMING MILK

In order to allow for any condensed water in the wand to be released ALWAYS allow some steam to be discharged by turning on the valve before inserting the steam wand into the pitcher of liquid to be heated. Then insert one of the 2 nozzles (part 9, fig. 1 or 3) which are connected to the steam tap, into the liquid to be heated, turn the knob (part 10, fig. 1 or 3) gradually until steam comes out at the end of the nozzle (1).

The steam will transfer heat to the liquid raising its temperature up to boiling point. Be careful not to allow liquid to overflow in order to avoid severe burns.

To prepare milk for making cappuccino with the right amount of foam, go through the following steps:

- Place the container half-full of milk under the steam nozzle
- Open the tap immediately and bring the temperature of the milk to your desired temperature
- You can then pour this milk into a cup containing warm espresso and you will end up with a fresh cappuccino

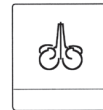
In order to prevent part of the liquid to be heated from being sucked back into the boiler (due to a possible temporary decompression inside the boiler tank) which would cause both the steam and the liquid delivered by nozzle part 9 and nozzle part 11 respectively to have a bad odour, we recommend that you de-vapourize the machine once or twice for just a few seconds, which consists of quickly opening and closing the tap (part 10) with the nozzle (part 9) not immersed in the liquid before starting to steam it. Be careful not to burn yourself with the steam.

Furthermore, once you have immersed the steam wand into the liquid to be steamed in the pitcher, open the steam tap immediately. Once the liquid has been heated, follow this procedure:

- lower the steam pressure
- remove the pitcher
- close the steam tap

### DISPENSING HOT WATER

You can obtain hot water by using the fixed nozzle (fig. 1 or 3), located between the group furthest to the right and the steam nozzle (part 9, fig. 1 or 3), and by pressing the button (part 7, fig. 1 or 3) which commands hot water delivery.



## 7. Maintenance and periodic cleaning operations

### WARNING

THE MACHINE MUST BE INSTALLED SO THAT QUALIFIED TECHNICAL PERSONNEL CAN EASILY ACCESS IT FOR MAINTENANCE.

### CAUTION

THE MACHINE MUST NOT BE DIPPED IN, NOR SPLASHED WITH, WATER IN ORDER TO CLEAN IT. FOR CLEANING OPERATIONS, PLEASE FOLLOW THE INSTRUCTIONS LISTED BELOW VERY CAREFULLY.

### CAUTION

NEVER REMOVE THE FILTER HOLDER WHEN WATER IS BEING DELIVERED. THIS OPERATION CAN BE EXTREMELY DANGEROUS SINCE THE HIGH PRESSURE BUILT-UP INSIDE THE BLIND FILTER WOULD SPRAY OUT HOT AND SLIGHTLY CAUSTIC WATER, WHICH MAY CAUSE SEVERE BURNS. THE COFFEE BOILER CONTAINS WATER AT ELEVATED TEMPERATURE. WATER TEMPERATURE OVER 125°F / 52°C CAN CAUSE SEVERE BURNS INSTANTLY OR DEATH FROM SCALDING.

- Make one cup of coffee in order to remove any unpleasant flavour.

#### Cleaning the drain collector

Remove the drain tray grill every night, pull out the water drain collector and clean it thoroughly. Also inspect and clean the drain well (part 19) at least twice a week, and remove any leftover grounds with a tablespoon.

#### Cleaning the body

Wipe the stainless steel surfaces with a soft cloth in the direction of the glazing marks, if any. Do not use any alcohol or solvents whatsoever on painted or imprinted parts in order not to damage them.

#### Cleaning the hot water and steam nozzles

Steam nozzles must be cleaned immediately after use with a damp cloth and by producing a short burst of steam (being careful to avoid burns) so as to prevent the formation of deposits inside the nozzles themselves, which may alter the flavour of other drinks to be heated.

#### Cleaning the diffuser screens (infusion filter)

Due to filter holder discharge operations (subsequent to coffee brewing), a certain amount of coffee grounds may slowly build-up on and obstruct, even partially, the infusion filter. To clean, you must first

#### Cleaning groups and drain wells

Insert the blind filter into portafilter and put the correct amount of espresso cleaning product (following the product's instructions) into the filter, engage the portafilter into the group you want to clean.

- Press the brewing button for said group, as if you were making a regular cup of coffee. Stop the water after about 15-20 seconds.
- Start and stop the group several times until you notice clear water being released instead of soapy water when you remove the portafilter.

**Do not remove the portafilter when group is actually brewing water.**

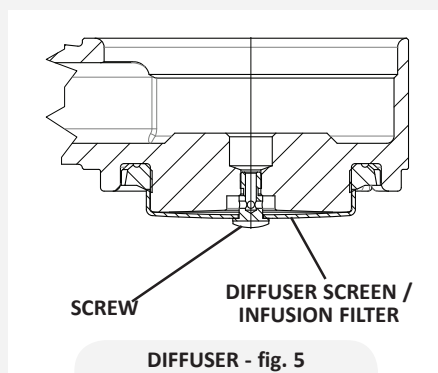
- Rinse the group using a normal filter in the portafilter, by running hot water through it several times.

#### Cleaning filters and filter holders

With daily cleaning of the stainless steel filters and portafilters it is sufficient to clean them with water and a cloth or appropriate brush. Otherwise, using an espresso cleaning product, following the product's instructions put the correct dose in about 1/2 a litre of water inside a heat-resistant container and heat.

- If using stainless steel portafilters with snap-on spouts remove the spout. Immerse filters and metallic parts of portafilters (not handles) in the hot solution and leave them submerged for about 30 minutes.
- Rinse thoroughly with clean water and run hot water through the group several times with the filter and portafilter engaged.

remove it by unscrewing the retainer screw, then soak in espresso detergent powder.



### **Motor Pump**

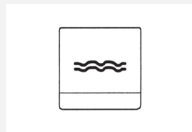
The motor pump is of the positive-displacement type and can develop a pressure of 14 bar. The operating pressure is 8-9 bar and is factory preset during testing; however, such pressure may vary from place to place since the pump pressure is affected by the incoming water mains pressure. You must always check the pressure itself by looking at the lower scale on the pressure gauge (part 3, fig. 1 or 3; part 4, fig. 2) whenever you are brewing coffee, and you can increase such pressure, as required, by turning the by-pass screw (below the plug located on the side to which the pump power sup-

ply is connected) clockwise, or reduce it by turning the screw counter-clockwise. Adjust pressure only when at least one group is brewing coffee.

### **IMPORTANT**

When you activate the motor pump by pressing the specific button (part 8, fig. 1 or 3) you also give pressure directly to the coffee boiler.

If you activate the motor pump when the machine is cold, a start-up pressure of 8-9 bar will develop; thus, once the heating elements start working and the water temperature increases, the liquid will expand increasing the start-up pressure by about 3 bar, for a total pressure of 11 bar. Once operating pressure is reached, the expansion (safety) valve (part 19A) should start working by discharging a few drops of water, in order to prevent such pressure from exceeding 12 bar. If the pressure exceeds 12 bar, you must adjust the valve by unscrewing the cap slightly. If this is not sufficient, remove the valve and clear away any calcium deposits. This remedy is valid also if the valve remains open in the drain position (i.e. the pressure cannot increase to 8 bar approx.).



If the machine has not been used for more than 8 hours or, in any case, after long periods of being idle, in order to use the machine to its full potential it is necessary to perform some cleaning cycles before brewing beverages as follows:

- Groups: with the portafilters engaged in the groups brew water through each for at least two minutes
- Being careful to avoid burns, turn on each steam wand for at least one minute.
- Turn on the hot water valve for the time necessary to allow the following quantities of water to be brewed:
  - At least 1 liter for a 1/2 group machine
  - At least 2 liters for a 3 group machine
  - At least 3 liters for a 4 group machine

If the machine is not going to be used for long periods of time, it is advisable to follow these safety indications:

- Disconnect the machine from the water mains or interrupt the water connection via a mains tap.
- Disconnect the machine from the electrical mains.

**▲ WARNING ▲**  
 IF THE ABOVE-MENTIONED INSTRUCTIONS  
 ARE NOT ADHERED TO THE MANUFACTURER  
 CANNOT BE HELD RESPONSIBLE FOR  
 DAMAGE TO PERSONS OR THINGS.

## 8. De-commissioning and demolition

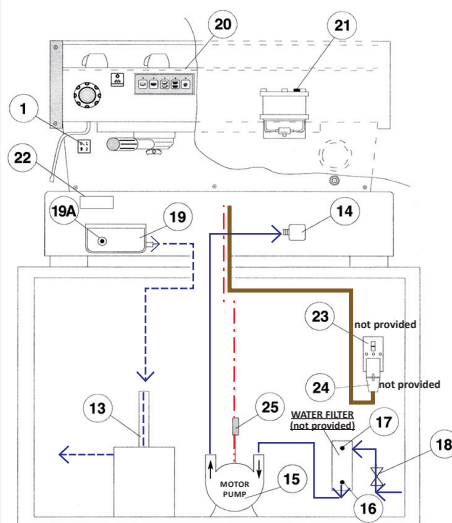


Fig. 3 (see also pag. 7)

Start by setting the main switch (part 1) to the "0" position.

### **Disconnecting from the power outlet**

In case the machine is connected through the plug (part 24), make sure that the switch (part 23) is also in the Off position before disconnecting. Disconnect the motor pump (part 15) by pulling out its special plug (part 25).

### **Disconnecting from the water system**

Shut off the water supply by closing the specific tap located upstream of the purifier inlet. Disconnect the water pipe at the purifier (part 17) inlet, which is located just downstream of the special tap (part 18), which has been closed in advance. Proceed to remove the drain well piping (part 19).

At this point, the machine may be removed from the bar, being very careful not to drop it.

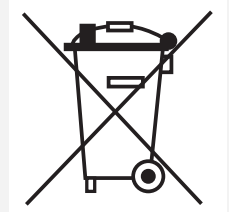
The machine is made out of various materials and therefore, if you do not intend to put it back in service, it must be taken to a special disposal company which will select the materials which can be recycled and discard the others.

Current regulations make it illegal to discard such machine by leaving it on public grounds or on any private property.

### **Recycling notice:**

#### **Warning for the protection of the environment.**

Old electrical equipment is made of valuable materials, it is not normal domestic waste! We kindly ask that our clients to contribute to the protection of the environment and natural resources by delivering this equipment to the relevant recycling centers, if they such centers are available in their country.



## 8. Mandatory maintenance and check-up operations

These operations are in addition to the Maintenance and Periodic Cleaning Operations as specified in Chapter 7.

The following maintenance and check-up operations could be carried out by a qualified technician.

**N.B. These periodic maintenance operations are not covered by warranty.**

### EVERY THREE MONTHS

- Replace group gaskets
- Replace diffuser screens
- Clean auto-fill probe
- Check vacuum breaker for proper operation
- Inspect water inlet valve
- Inspect drain system for leaks or clogs
- Check flow rate for each group
- Check brew temperature
- Check that brew pressure is at 9bar
- Check all switches for proper operation
- Check/note water hardness

(Water quality must be within the range of parameters specified in the chapter on Installation, otherwise warranty is voided)

### If AV Model:

- Check shot volumes
- Test flowmeter's ohm value (ohm value is acceptable if greater than 1.8 K ohm, and less than 2.2 K ohm)

### If MP Model:

- Rebuild MP valve

### EVERY SIX MONTHS

- Rebuild steam assemblies

### EVERY YEAR

- Replace portafilter baskets
- Inspect group valve plungers
- Inspect vacuum breaker
- Inspect steam boiler pressurestat
- Inspect contactor
- Replace over-pressure valve



# linea & fb70

Manuale d'uso V1.1 - 11/2014

## Capitoli

1. Avvertenze Generali e Norme di Sicurezza	pag. 2
2. Definizione dei Modelli Trattati	pag. 4
3. Installazione	pag. 7
4. Messa in Funzione e Preparazione del Caffè	pag. 11
5. Regolatore di Temperatura PID	pag. 16
6. Erogazione di Vapore e Acqua Calda	pag. 18
7. Manutenzione e Pulizia Periodica	pag. 19
8. Messa Fuori Servizio e Demolizione	pag. 21
9. Operazioni Programmate di Manutenzione e di Controllo	pag. 22



**la marzocco**

handmade in florence

La Marzocco S.r.l.

Via La Torre 14/H  
Località La Torre  
50038 Scarperia e San Piero  
(Firenze) - ITALIA

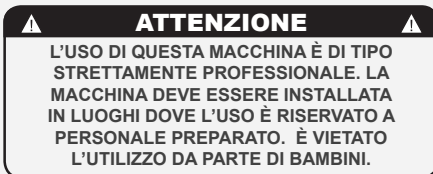
[www.lamarzocco.com](http://www.lamarzocco.com)  
[info@lamarzocco.com](mailto:info@lamarzocco.com)

T: +39 055 849 191  
F: +39 055 849 1990

certificazioni disponibili:



## 1. Avvertenze Generali e Norme di sicurezza



**1)** Il presente libretto d'uso costituisce parte integrante ed essenziale del prodotto e dovrà essere consegnato all'utilizzatore. L'utilizzatore dovrà leggere attentamente le avvertenze contenute nel presente libretto, in quanto forniscono le informazioni riguardanti la sicurezza di installazione, d'uso e manutenzione.

Il presente libretto dovrà essere conservato con cura ed essere disponibile per ogni ulteriore consultazione e per ogni nuovo utilizzatore del prodotto.

**2)** Controllare l'integrità del prodotto fin dall'imballaggio assicurandosi che non presenti tracce di urti che potrebbero aver causato danni al contenuto.

**3)** Controllare l'integrità della macchina dopo aver tolto con cura l'imballaggio. In caso di dubbio non procedere oltre e contattare immediatamente il concessionario o il venditore che provvederà ad inviare personale specializzato ed autorizzato ad operare sulla macchina.

**4)** Gli elementi dell'imballaggio (scatole, sacchetti, polistirolo espanso e quant'altro)

non devono essere lasciati alla portata dei bambini, in quanto fonti di pericolo, né devono essere dispersi nell'ambiente.

**5)** Controllare che i dati della targhetta siano rispondenti a quelli della rete elettrica installata nel locale dove sarà utilizzata la macchina.

L'installazione deve essere effettuata in osservanza delle norme vigenti, secondo le istruzioni del costruttore e deve essere eseguita da personale qualificato ed autorizzato. Questa macchina non deve essere installata in una cucina.

Un'installazione non corretta può essere causa di danni a persone, animali o cose, per i quali il costruttore non può essere considerato responsabile.

La sicurezza del funzionamento elettrico di questo apparecchio è ottenuta soltanto quando il collegamento alla rete elettrica è effettuato correttamente in rispondenza delle vigenti norme di sicurezza ed in particolare con attenzione all'efficienza dell'impianto di messa a terra. È necessario verificare quest'ultima in quanto fondamentale requisito di sicurezza e, in caso di dubbio, richiedere un controllo accurato da parte di personale qualificato.

Inoltre dovrà essere controllato che la portata dell'impianto elettrico sia idonea alla potenza massima assorbita riportata sulla targa ed in particolare dovrà essere posta attenzione che la sezione dei cavi sia

idonea.

È sconsigliabile l'uso di adattatori, prese multiple e/o prolunghe. Qualora non sia possibile farne a meno è necessario utilizzare solamente spine, adattatori e prolunghe conformi alle vigenti norme di sicurezza, facendo attenzione a non superare il limite di portata e potenza riportato sull'adattatore e sulle prolunghe.

**6)** Questo apparecchio dovrà essere utilizzato solo per l'uso per il quale è stato espressamente progettato e realizzato. Ogni altro uso è da considerarsi improprio e quindi pericoloso. Il costruttore non può essere considerato responsabile per eventuali danni causati da usi erronei ed irragionevoli. Questo apparecchio deve essere installato in modo conforme alle norme applicabili agli impianti idraulici.

**7)** L'uso di un qualsiasi apparecchio elettrico comporta l'osservanza di alcune regole di comportamento fondamentali.

In particolare:

- non toccare l'apparecchio con mani o piedi bagnati od umidi;
- non usare l'apparecchio a piedi nudi;
- non usare prolunghe in locali adibiti a bagno o doccia;
- non tirare il cavo di alimentazione per scollegare l'apparecchio dalla rete elettrica;
- non lasciare l'apparecchio esposto ad

agenti atmosferici (pioggia, sole etc...);

- non permettere che l'apparecchio sia usato da bambini o da persone non in grado di usarlo;
- non pulire il pannello comandi con panni bagnati in quanto non è a tenuta stagna.

8) Prima di eseguire qualsiasi operazione di manutenzione e/o di pulizia, porre in posizione di "0" l'interruttore generale situato sulla macchina e disinserire l'apparecchio dalla rete di alimentazione elettrica staccando la spina o spegnendo l'interruttore dell'impianto. Per le operazioni di pulizia attenersi esclusivamente a quanto previsto nel presente libretto.

9) In caso di malfunzionamenti o guasti dell'apparecchio procedere a disinserirlo dalla rete elettrica (come descritto al punto precedente) ed a chiudere il rubinetto di alimentazione dell'acqua. Astenersi da qualsiasi tentativo di riparazione e rivolgersi a personale professionalmente qualificato ed autorizzato. L'eventuale riparazione del prodotto dovrà essere effettuata solamente dalla casa costruttrice o da un centro autorizzato utilizzando esclusivamente ricambi originali. Il mancato rispetto di quanto sopra può compromettere la sicurezza dell'apparecchio e ne fa comunque decadere la garanzia.

10) All'atto dell'installazione occorre prevedere un interruttore omipolare come previsto dalle norme di sicurezza vigente, munito di fusibili adatti a sopportare la

potenza della macchina da connettere.

11) Per evitare surriscaldamenti pericolosi, si raccomanda di distendere tutto il cavo di alimentazione.

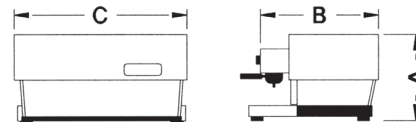
12) Non ostruire le griglie di aspirazione o di dissipazione ed in particolare non coprire con panni od altro il piano scaldatozze.

13) Il cavo di alimentazione di questo apparecchio non deve essere sostituito dall'utente, come specificato anche nella targhetta posta in vicinanza dell'uscita dello stesso dalla carrozzeria. In caso di danneggiamento del cavo spegnere l'apparecchio (come descritto al precedente punto 8) e chiudere l'alimentazione dell'acqua e, per la sua sostituzione, rivolgersi esclusivamente a personale professionalmente qualificato.

**ATTENZIONE**  
COME GIÀ RIPORTATO NELLE NOTE PRECEDENTI IL COSTRUTTORE NON PUÒ ESSERE CONSIDERATO RESPONSABILE PER DANNI A COSE, ANIMALI E/O PERSONE QUANDO IL PRODOTTO NON È STATO INSTALLATO SECONDO LE PRESCRIZIONI CONTENUTE NEL PRESENTE MANUALE E/O QUANDO NON È UTILIZZATO PER FUNZIONI QUALI L'EROGAZIONE DI CAFFÈ E DI BEVANDE CALDE.

**ATTENZIONE**  
QUESTA MACCHINA NON È ADATTA ALL'USO ALL' ESTERNO. NON USARE GETTI D'ACQUA PER PULIRE LA MACCHINA, NON POSIZIONARE LA MACCHINA DOVE VENGONO USATI GETTI D'ACQUA.

Tutto quanto evidenziato in questo manuale è valido anche per la serie denominata "FB/70". Le uniche differenze riguardano le dimensioni esterne dell'apparecchio.



#### MISURE E PESI COMUNI ALLA SERIE LINEA

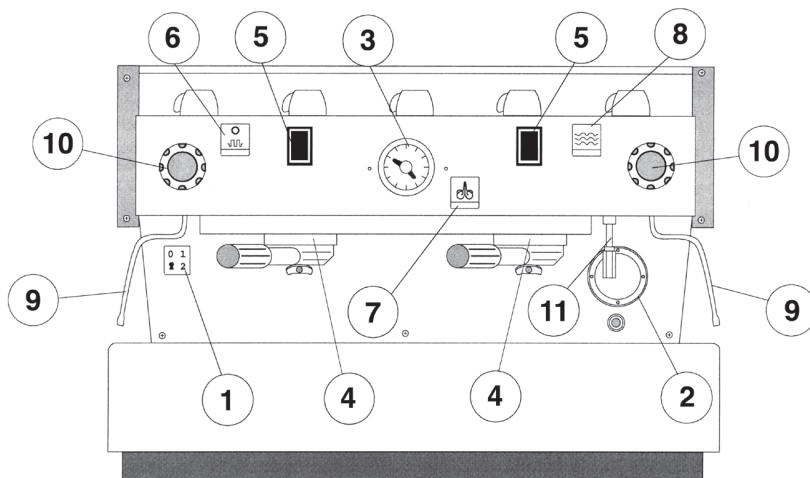
LINEA	1 gr	2gr	3gr	4gr
A cm/pollici	45.5/18	45.5/18	45.5/18	45.5/18
B cm/pollici	56/22	56/22	56/22	56/22
C cm/pollici	49/20	69/28	93/37	117/46
PESO kg/lb	44/97	58/128	74/163	92/203

#### MISURE E PESI COMUNI ALLA SERIE FB/70

FB/70	2gr	3gr	4gr
A cm/pollici	45.5/18,5	45.5/18,5	45.5/18,5
B cm/pollici	64/25,5	64/25,5	64/25,5
C cm/pollici	84/33	108/42,5	135/52,25
PESO kg/lb	58/128	74/163	92/203

## 2. Definizione dei modelli trattati

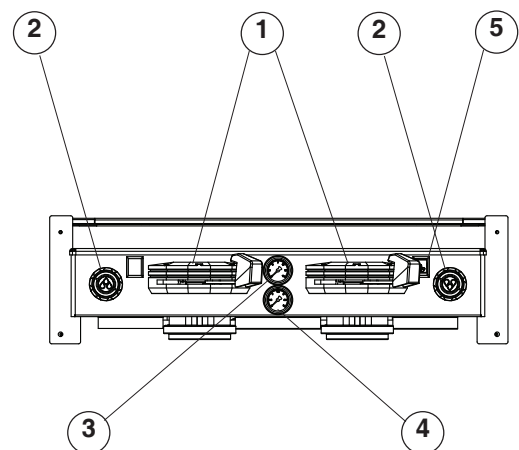
**Il presente manuale d'uso si riferisce esclusivamente ai seguenti modelli di nostra costruzione:**  
Mod. EE, Mod. AV e Mod. PADDLE ad 1, 2, 3 e 4 erogatori



### Legenda

1	Interruttore generale	7	Interruttore erogazione acqua calda	1	Leva gruppo
2	Oblò del livello acqua	8	Interruttore riempimento manuale	2	Manopola per erogazione vapore
3	Manometro	9	Lancia per vapore	3	Manometro caldaia vapore
4	Gruppi erogazione caffè	10	Manopola per erogazione vapore	4	Manometro caldaia caffè
5	Interruttore erogazione caffè	11	Lancia acqua calda	5	Interruttore riempimento manuale
6	Interruttore scaldatasse (macchine non-UL)				

**fig. 1 - Modello EE a 1, 2, 3, e 4 gruppi erogatori**



**fig. 2 - Pannello frontale del modello PADDLE con 1, 2, 3 e 4 gruppi erogatori**

### Descrizione generale

Le macchine modello EE e PADDLE sono disponibili nelle versioni con 1, 2, 3 e 4 gruppi erogatori e sono essenzialmente costituite dalle seguenti parti:

1. Caldaia servizi (generatore di vapore ed acqua calda);
2. Caldaia satura per erogazione caffè;
3. Gruppi erogatori;
4. Involucro;
5. Elettropompa;

### Descrizione delle varie parti

#### 1. Caldaia vapore

È costituita da un involucro cilindrico di lunghezza variabile a seconda del numero dei gruppi erogatori del caffè ed è realizzata in acciaio inox, collaudata in prova idraulica esemplare per esemplare ad una pressione di 3 bar e idonea alla pressione di esercizio di 1,5 bar. A seconda del numero di erogatori si hanno i seguenti volumi effettivi e potenze installate:

1 gruppo	litri 3,5	1300 Watt
2 gruppi	litri 7	2000 Watt
3 gruppi	litri 11	3000 Watt
4 gruppi	litri 14,5	3800 Watt

In certi paesi è possibile reperire resistenze di maggiore potenza per la caldaie vapore. Alle estremità dell'involucro cilindrico sono applicati i coperchi e su uno è ricavato la sede per le resistenze elettriche di riscaldamento e vaporizzazione dell'acqua che permettono il raggiungimento della pressione d'esercizio

in circa 25'. Il mantenimento della pressione di esercizio è realizzato da un pressostato. Sulla caldaia sono applicati vari raccordi per gli accessori di sicurezza, per i servizi di acqua calda e vapore e per l'alimentazione.

#### 2. Caldaia caffè

Ciascuna unità è collaudata in prova idraulica esemplare per esemplare ad una pressione di 16 bar e idonea alla pressione di esercizio di 9 bar. A seconda del numero di erogatori si hanno i seguenti volumi effettivi e potenze installate:

1 gruppo	litri 1,8	1000 Watt
2 gruppi	litri 3,4	1400 Watt
3 gruppi	litri 5,0	1600 o 1900 Watt
4 gruppi	litri 3,4 + 3,4	1400 + 1400 Watt (2 caldaie installate)

È costituita da un involucro cilindrico di lunghezza variabile a seconda del numero dei gruppi erogatori del caffè ed è realizzata in acciaio inox.

Alle estremità dell'involucro cilindrico sono applicati i coperchi e su uno è ricavato la sede per le resistenze elettriche di riscaldamento dell'acqua che tramite un termostato di precisione con dT di  $\pm 0,5^{\circ}\text{C}$  mantengono costante la temperatura dell'acqua, temperatura che può essere adeguata a quella ottimale per differenti miscele di caffè. Sulla caldaia sono applicati i gruppi erogatori.

#### 3. Gruppi erogatori

Sono costituiti da un blocco di acciaio inox

sul quale si innesta il portafiltro nella quale si mette la dose di caffè in polvere e dal quale tramite il beccuccio l'espresso scende nella sottostante tazza/e dopo il comando di erogazione.

#### 4. Involucro

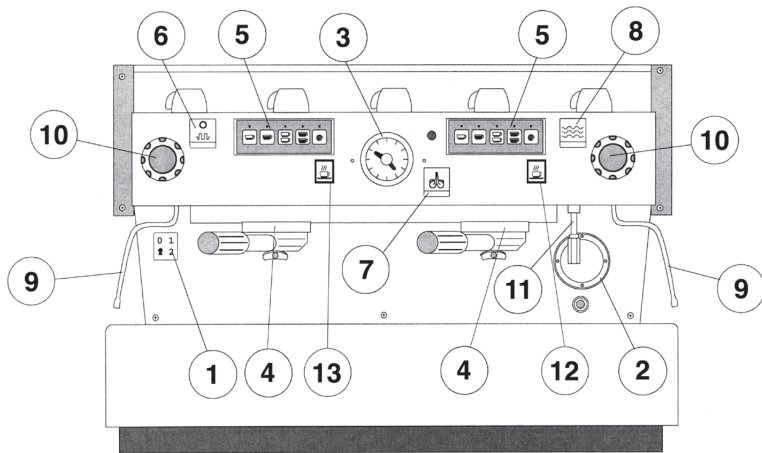
È costituito da una scocca in lamiera di acciaio verniciata e in acciaio inox. La struttura è frutto di particolari studi per la funzione estetica, per ottimizzare l'ergonomia per l'utilizzatore e ridurre al minimo la possibilità di danni.

#### 5. Elettropompa

La pompa rotativa, installata sulla tubazione di alimentazione dell'acqua, è predisposta per entrare in funzione ad ogni azionamento dei gruppi erogatori di caffè e tramite un autolivello per reintegrare l'eventuale consumo di acqua della caldaia servizi.

**ATTENZIONE**  
LE CALDAIE DEL CAFFÈ E DEL VAPORE CONTENGONO ACQUA A TEMPERATURA ELEVATA. UNA TEMPERATURA DELL'ACQUA SUPERIORE A 52°C PUÒ ESSERE CAUSA DI GRAVI USTIONI O DI MORTE (CALDAIA CAFFÈ 93,3°C - CALDAIA VAPORE 127°C)

**ATTENZIONE**  
LA PRESENTE APPARECCHIATURA DEVE ESSERE TENUTA A DISTANZA DA BAMBINI E/O DEI PORTATORI DI HANDICAP FISICI O MENTALI O DA COLORO CHE NON SONO IN POSSESSO DELLE CONOSCENZE NECESSARIE A GARANTIRNE IL CORRETTO UTILIZZO A MENO CHE QUESTI ULTIMI NON OPERINO SOTTO IL DIRETTO CONTROLLO DI PERSONALE QUALIFICATO.



### Descrizione generale

La macchina modello AV viene costruita nelle versioni con 1, 2, 3 e 4 erogatori ed è essenzialmente costituita come il modello EE.

Questo modello differisce dal modello EE in quanto consente all'operatore di predisporre a suo piacimento quattro diverse quantità di acqua in erogazione di caffè. Per ciascuno gruppo erogatore è quindi prevista una pulsantiera a 5 tasti, atti a selezionare su richiesta della clientela:

- 1 dose di acqua per un caffè espresso;
- 1 dose di acqua per un caffè lungo;
- 1 dose di acqua per due caffè normali;
- 1 dose di acqua per due caffè lunghi;

Il quinto pulsante è utilizzato come programmatore degli altri, come vedremo in seguito, e come interruttore off-on per erogazione continua a piacimento.

Fig. 3 - Modello AV ad 1, 2, 3 e 4 erogatori

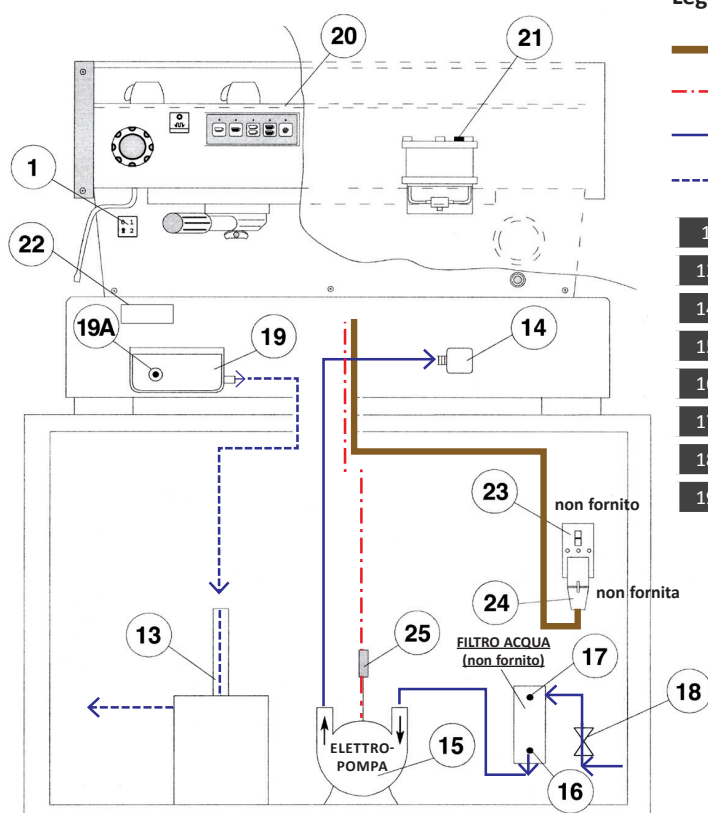
### Legenda

- |    |  |
|----|--|
| 1  | Interruttore generale                      |
| 2  | Oblò del livello acqua                     |
| 3  | Manometro                                  |
| 4  | Gruppi erogazione caffè                    |
| 5  | Pulsantiera erogazione caffè (modello AV)  |
| 6  | Interruttore scaldatasse (macchine non-UL) |
| 7  | Interruttore erogazione acqua calda        |
| 8  | Interruttore riempimento manuale           |
| 9  | Lancia per vapore                          |
| 10 | Manopola per erogazione vapore             |
| 11 | Lancia acqua calda                         |
| 12 | Interruttore erogazione manuale            |







Pulsantiera erogazione caffè del modello AV

### 3. Installazione



#### Legenda

-  Cavo da 380/220/200 Volt
-  Cavo da 220/200 Volt
-  Tubo acqua
-  Tubo di scarico

- |    |                       |     |                               |
|----|-----------------------|-----|-------------------------------|
| 1  | Interruttore generale | 19A | Valvola di espansione         |
| 13 | Tubi di scarico       | 20  | Copertura gruppo              |
| 14 | Terminale             | 21  | Vite di sfiato                |
| 15 | Elettropompa          | 22  | Regolatore di temperatura PID |
| 16 | Uscita filtro         | 23  | Interruttore (non fornito)    |
| 17 | Ingresso filtro       | 24  | Spina (non fornita)           |
| 18 | Rubinetto             | 25  | Connettori                    |
| 19 | Pozzetti di scarico   |     |                               |

**ATTENZIONE**  
LA MACCHINA DEVE ESSERE POSTA IN POSIZIONE ORIZZONTALE SU UN BANCONE AD ALMENO 80CM DA TERRA.

**ATTENZIONE**  
LA MACCHINA È PREDISPOSTA PER ESSERE COLLEGATA IN MODO PERMANENTE AD UN IMPIANTO ELETTRICO FISSO. SI RACCOMANDA L'INSTALLAZIONE DI UN INTERRUTTORE DIFFERENZIALE CON UNA CORRENTE OPERATIVA RESIDUA NOMINALE NON SUPERIORE A 30MA.

Fig. 4

## MODELLI "EE" "AV" e "PADDLE" 1, 2, 3 e 4 erogatori

### 1) Accessori

Controllare che nell'imballo oltre alla macchina completa dei relativi gruppi erogatori siano contenuti:

- portafiltri per 1 e 2 dosi in numero corrispondente ai gruppi della macchina;
- filtri da 1 dose e da 2 dosi di ricambio
- 1 pressino
- 1 filtro cieco
- detergente in polvere per i gruppi erogatori
- 3 tubi flessibili per i collegamenti idrici
- 1,5 mt. di tubo in plastica rinforzata per lo scarico
- 1 fascetta fermatubo

**ATTENZIONE**  
AD OGNI INSTALLAZIONE, LA MACCHINA DEVE ESSERE PROVISTA DI UN NUOVO SET DI TUBI PER L'IMPIANTO IDRAULICO E DELLE RELATIVE GUARNIZIONI.

Per provvedere all'installazione è necessario che nell'ambiente si possa disporre di:

- Conduttura di acqua potabile con rubinetto terminale da 3/8" gas (BSP); (Compressione 3/8" per Stati Uniti e Canada)
- Alimentazione elettrica conforme alle specifiche relative alla macchina da caffè espresso acquistata (non tutte

le specifiche sono disponibili in tutti i mercati):

- Collegamento elettrico monofase/trifase a 220Vca - 50/60 Hz con terra, presa protetta e interruttore omologato
- Collegamento elettrico monofase a 200Vca - 50/60 Hz con terra, presa protetta e interruttore omologato
- Collegamento elettrico trifase a 380Vca - 50/60 Hz con neutro + terra, vicino al bancone su cui è installata la macchina e terminante con un'ideale presa protetta a cinque poli fornita di interruttore omologato
- Condutture di scarico

### N.B.

- Il rubinetto di arresto dell'acqua potabile e gli interruttori terminali della linea di corrente elettrica dovranno trovarsi nella posizione più idonea per essere azionati dall'operatore con la massima facilità e sollecitudine.
- La macchina deve essere posizionata in piano sul bancone in un luogo con:  
temperatura ambiente minima: 5°C  
temperatura ambiente massima: 32°C
- Se la macchina è stata temporaneamente posizionata in un'area con temperatura ambiente inferiore a 0°C, contattare l'assistenza tecnica prima dell'utilizzo.
- La pressione erogata alla caldaia dell'acqua deve essere compresa tra 2 e 6 bar.

**ATTENZIONE**  
TENSIONE PERICOLOSA: SCOLLEGARE DALLA RETE ELETTRICA PRIMA DI OGNI EVENTUALE INTERVENTO

### 2) Collegamento alla rete idrica

Per collegare la macchina alla rete idrica procedere secondo le indicazioni riportate nel capitolo riguardante l'installazione della macchina, seguendo le indicazioni relative alle norme di sicurezza idraulica proprie di ciascun Paese nel quale si installa la macchina stessa.

Per garantire un corretto e sicuro funzionamento della macchina e mantenere un adeguato livello prestazionale della stessa, garantendo una elevata qualità della bevanda erogata, è opportuno che l'acqua in ingresso abbia durezza superiore a 9°f (90ppm, 5°d) e inferiore a 15°f (150ppm, 8.4°d), pH compreso fra 6,5 e 8,5 ed una quantità di cloruri disciolti inferiore ai 50 mg/l. Il rispetto di tali valori permette così alla macchina di operare al massimo dell'efficienza. Qualora questi parametri non siano conformi, è da prevedersi la presenza di specifici dispositivi, rifacendosi in ogni caso alle normative nazionali vigenti in materia di potabilità dell'acqua.

Collegare quindi il raccordo dell'eventuale filtro/depuratore dell'acqua alla rete di acqua potabile tramite uno dei tubi flessibili in acciaio inossidabile intrecciati.

Prima di collegare la pompa dell'acqua alla macchina espresso lasciar scorrere acqua in modo da eliminare eventuali residui che altrimenti potrebbero depositarsi nelle sedi dei rubinetti e valvole compromettendone l'adeguata funzionalità. Collegare il raccordo dell'erogazione di acqua potabile della macchina espresso all'uscita dell'acqua usando uno dei tubi flessibili in acciaio inossidabile intrecciati in dotazione. Quindi collegare il raccordo di ingresso della pompa dell'acqua all'uscita dell'eventuale filtro/depuratore dell'acqua.

**Nota:** Accertarsi che l'alimentazione di acqua sia sempre attiva mentre la pompa è in funzione, altrimenti potrebbe introdursi dell'aria nella caldaia danneggiando la pompa.

### 3) Collegamento elettrico

**ATTENZIONE**  
PRIMA DI EFFETTUARE EVENTUALI COLLEGAMENTI ELETTRICI ASSICURARSI CHE I 2 CONNETTORI CON FASCIA DI SERRAGGIO SIANO SALDAMENTE FISSATI AL CORPO DELLA MACCHINA AL FINE DI EVITARE DI SOTTOPORRE I CAVI DI ALIMENTAZIONE A SOLLECITAZIONI INVOLONTARIE.

**ATTENZIONE**  
LA DITTA DECLINA OGNI RESPONSABILITÀ CIVILE E/O PENALE QUALORA L'ALLACCIAMENTO A TERRA NON VENGA EFFETTUATO NEL RISPETTO DELLE VIGENTI NORME, COSÌ COME PER L'ERRATO ALLACCIAMENTO DELLE RESTANTI PARTI ELETTRICHE.

#### a) Cavo di alimentazione

• Questo è il cavo di alimentazione principale che fornisce corrente all'intera macchina da caffè espresso. Sono disponibili diverse tipologie di cavo secondo i requisiti elettrici della macchina da caffè espresso acquistata:

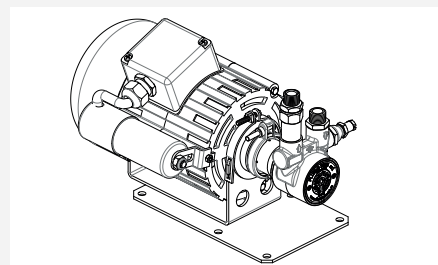
→ Cavo tripolare monofase da 200/220Vca con sezione da 2,5/4/6/10 mm<sup>2</sup> o AWG 12/10/8 (per la versione certificata UL) fissato alla macchina da caffè espresso mediante connettore provvisto di serra-cavo

→ Cavo quadripolare trifase da 220Vca con sezione da 4 mm<sup>2</sup> per le versioni con 1, 2, 3 e 4 gruppi erogatori fissato alla macchina da caffè espresso tramite connettore provvisto di serra-cavo

→ Cavo pentapolare trifase da 380 Vca con sezione da 2,5/6 mm<sup>2</sup> per le versioni con 1, 2, 3 e 4 gruppi erogatori fissato alla macchina da caffè espresso tramite connettore provvisto di serra-cavo.

**ATTENZIONE**  
- SOLTANTO PER GLI STATI UNITI E IL CANADA - NON COLLEGARSI AD UN CIRCUITO OPERANTE A PIÙ DI 150V A TERRA

**ATTENZIONE**  
PER EVITARE ROTTURE O PERDITE: NON RIPORRE O INSTALLARE LA MACCHINA IN LUOGHI DOVE LA TEMPERATURA POSSA CAUSARE IL CONGELAMENTO DELL'ACQUA NELLA CALDAIA O NEL SISTEMA IDRAULICO.



**ATTENZIONE**  
LA POMPA DEL MOTORE DEVE ESSERE COLLOCATA VICINO ALLA MACCHINA IN UN POSTO FACILMENTE RAGGIUNGIBILE PER GLI INTERVENTI DI MANUTENZIONE, MA PROTETTO DA INTERFERENZE ACCIDENTALI E DOVE SIA GARANTITA UNA CIRCOLAZIONE D'ARIA OTTIMALE

#### b) Cavo alimentazione motore pompa dell'acqua

Questa è la linea di alimentazione per il motore della pompa dell'acqua. L'elettronica interna accenderà il motore della pompa quando necessario.

• Cavo tripolare con sezione da 1,5 mm<sup>2</sup> o AWG 16 tripolare (per la versione certificata UL) fissato alla macchina da caffè espresso tramite connettore provvisto di serra-cavo.

#### 4) Collegamento del pozzetto dell'acqua di scarico

Il collegamento dello scarico della macchina da caffè espresso deve essere realizzato grazie al tubo in plastica rinforzato facente

parte della fornitura. Collegare un'estremità del tubo di plastica rinforzato al raccordo del tubo di scarico presente sul lato sinistro della macchina da caffè espresso, fissarlo saldamente con l'ausilio della fascetta ferma tubo in dotazione. Collegare l'altra estremità ad un idoneo impianto di recupero dell'acqua di scarico.

Qualora il suddetto impianto non fosse disponibile, e se accettabile in base alle norme locali, è possibile raccogliere i liquidi di drenaggio in apposito secchio ed eventuali prolungamenti del tubo di scarico dovranno essere effettuati mediante tubi in PVC con anima in acciaio e adeguate fascette ferma tubo.

## 4. Messa in funzione e preparazione del caffè

Eseguite le operazioni di installazione, si innestano sotto ai gruppi i portafiltri (fig. 5) con i relativi filtri, girando da sinistra verso destra e, prima di azionare gli interruttori e far giungere corrente alle resistenze, si provvede a rifornire le caldaie di acqua come segue:

### 1. CALDAIA CAFFÈ

L'ingresso di acqua alla caldaia satura (caffè) avviene direttamente, non appena aperti i rubinetti della condotta idrica e del depuratore, se presente.

Poiché l'acqua entrando nella caldaia comprimerà l'aria in essa contenuta, per effettuare la completa "saturazione" caldaia-gruppi si dovrà togliere il piano di copertura dei gruppi (part. 20 fig. 4) e svitare un poco il bulloncino part. 21 (detto "di sfiato") in modo che fuoriesca l'aria, aspettare che dallo stesso esca qualche goccia d'acqua (vedi schema seguente). Ripetere l'operazione per ogni gruppo erogatore e quindi stringere nuovamente i bulloncini e rimontare il piano.

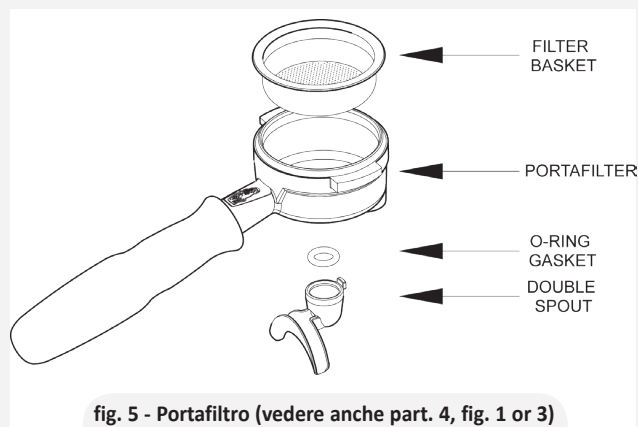


fig. 5 - Portafiltro (vedere anche part. 4, fig. 1 or 3)



Saturazione del gruppo tramite "vite di sfiato"

## 2) CALDAIA VAPORE

Mettendo l'interruttore generale part. 1 in posizione "1", automaticamente entrerà in funzione l'autolivello che azionando l'elettrovalvola e l'elettropompa part. 15 permetterà il rifornimento della caldaia servizi fino al livello predisposto per mezzo della sonda immersa nella caldaia.

### N.B.

Può avvenire che, per effetto dell'immissione dell'acqua, l'aria contenuta nella caldaia formi una certa pressione (riscontrabile sulla scala del manometro part. 3 fig. 1, 2 o 3). Questa pressione deve essere eliminata spegnendo la macchina e spurgando l'aria dai gruppi (vedere istruzioni nella pagina precedente). Terminate queste operazioni mettere l'interruttore generale part. 1 nella posizione "2" ed attendere che le caldaie raggiungano la giusta temperatura e pressione (ciò richiede dai 20 ai 35 minuti, secondo il tipo di macchina), che in seguito vengono mantenute costanti automaticamente.

In questo frattempo può avvenire che la lancetta della scala inferiore del manometro part. 3 fig. 1 o 3 o part. 4 fig. 2 raggiunga anche 11-12 Bar, e questo potrebbe verificarsi ogni volta che azionando i gruppi, l'elettropompa immetterà acqua fredda nella caldaia caffè alla pressione di 8-9 Bar e, allo stesso tempo, il termostato che regola la temperatura della caldaia stessa inserirà

la resistenza elettrica per riportare a giusta temperatura l'acqua in essa contenuta. Tuttavia, in questo caso, è necessario registrare la valvola di espansione part. 19A fig. 4 in modo che la pressione non superi mai il valore di 12 Bar.

### Erogazione di prima installazione

Una volta terminate le procedure di prima installazione riportate in precedenza e prima di procedere con le erogazioni di Caffè, Acqua Calda e Vapore, seguire le seguenti indicazioni:

- Installare i portafiltri inserendoli in ciascun gruppo e ruotandoli come descritto nel manuale d'uso; erogare quindi per almeno 2 minuti acqua da ciascun gruppo caffè;
- Erogare vapore per almeno un minuto da entrambe le lance vapore presenti sulla macchina;
- Erogare acqua calda per un tempo necessario a prelevare dalla relativa caldaia:
  - almeno 1 litro per una macchina a uno/ due gruppi
  - almeno 2 litri per una macchina a tre gruppi
  - almeno 3 litri per una macchina a quattro gruppi



PULSANTE EROGAZIONE CAFFÈ  
(part 5 fig.1)



### Per il modello EE - fig. 1

Prendere un portafiltro e metterci la polvere di caffè: la quantità suggerita (in grammi) è marchiata con il laser sui filtri; si pressa la polvere con l'apposito attrezzo a corredo e si innesta nuovamente il portafiltro nel gruppo e si preme l'interruttore part. 5. dando inizio all'erogazione della bevanda; quando ha raggiunto nella tazza la quantità desiderata, si preme nuovamente l'interruttore part. 5 e, automaticamente, viene scaricata la pressione che si crea nel portafiltro e questo può essere tolto per ripetere una eventuale nuova operazione.

### Per il modello PADDLE - fig. 2

Prendere un portafiltro e metterci la polvere di caffè: la quantità suggerita (in grammi) è marchiata con il laser sui filtri. Premere il caffè macinato con il pressino in dotazione e innestare il porta filtro nel gruppo erogatore. Spostare la maniglia della valvola meccanica o "paddle" da destra verso sinistra (part. 1, fig.2) così da permettere l'erogazione del caffè; una volta raggiunta la quantità di

caffè desiderata, riportare la maniglia alla posizione di partenza, sul lato destro. In corrispondenza della suddetta posizione la macchina scarica la pressione accumulata nel porta filtro. È possibile quindi rimuoverlo per procedere alla preparazione di un altro caffè e così via. Per ottenere la pre-infusione del caffè nel filtro, una volta innestato il porta-filtro nel gruppo erogatore, spostare la maniglia della valvola meccanica o "paddle" da destra verso sinistra, fino a metà corsa, per alcuni secondi. Completare quindi il percorso verso sinistra per effettuare l'erogazione di uno o più caffè espressi, finché la quantità desiderata di caffè non viene versata nella tazza. Riportare quindi la maniglia nella posizione originale sul lato destro per interrompere l'erogazione.

### **Per il modello AV - fig. 3**

È indispensabile procedere alla programmazione della quantità di acqua erogata. Pertanto si indicano le seguenti procedure da effettuare con particolare cura ed attenzione. Nel caso di dubbi o difficoltà contattare il servizio tecnico.



**PANNELLO DI CONTROLLO  
EROGAZIONE CAFFÈ (part. 5 fig 3)**

### **Premesse**

Il sistema di dosaggio del caffè è basato sul volume dell'acqua che arriverà in erogazione sulla polvere del caffè, già sistemato nel filtro e portafiltro, misurato tramite un sistema di controllo posizionato sopra la flangia del corpo gruppo, che fissa il gruppo alla caldaia. All'interno di ciascun contatore è alloggiata una girante (che chiameremo per semplicità ventolino) che ruota al passaggio dell'acqua.

La sequenza del ciclo dell'acqua è la seguente:

gruppo	→	contatore
contatore	→	elettrovalvola
elettrovalvola	→	sistema diffusore
sistema diffusore	→	beccuccio erogazione del caffè

Il ventolino è predisposto in modo tale da girare liberamente al passaggio dell'acqua ed inviare 2 segnali per ogni giro che compie alla centralina elettronica che li elabora ed aziona il relais dell'elettrovalvola, relativa al corrispondente gruppo erogatore ed il relais dell'elettropompa.

Tale centralina elabora anche il segnale della sonda di livello della caldaia vapore e di conseguenza aziona i relais della relativa elettrovalvola della stessa elettropompa.

### **Procedura per la programmazione delle dosi - fig. 3**

Programmazione per la versione 3D/5

Premere e mantenere premuto il pulsante

con il simbolo della spirale per più di 4 secondi.



A questo punto è possibile effettuare le medesime operazioni eseguite per la versione standard, descritte in seguito.

Dopo 5 secondi che sono accesi, se non viene premuto nessun pulsante, i led si spengono e si deve ripetere la procedura precedente per farli riaccendere e rendere pronta la centralina alla programmazione;

**1.** Entro 5 secondi premere il primo pulsante e premerlo nuovamente quando nella tazza abbiamo raggiunto la dose di caffè desiderata, a questo punto i led si spegneranno e questo pulsante resterà così programmato per la dose precedentemente erogata;

**2.** Ripetere le fasi per gli altri tre pulsanti ed ogni volta che un pulsante sarà stato programmato, quando si premerà nuovamente il pulsante con la spirale, il led del/i pulsante/i programmato/i resterà/anno spento/i.

**3.** Programmati i primi 4 pulsanti della prima pulsantiera di sinistra i programmi di dosaggio così impostati rimarranno memorizzati ed il 5° pulsante (quello con la spirale) assumerà nuovamente la sua

funzione di interruttore per l'erogazione continua e arresto della stessa.

#### **N.B.**

La programmazione del primo gruppo di sinistra sarà adottata per tutti i restanti gruppi erogatori. Se desiderato, possono essere programmate dosi diverse per i restanti gruppi operando come da 1 a 5 per ciascuna delle restanti pulsantiere. Deve essere programmata per prima sempre la pulsantiere di sinistra, infatti se questa venisse programmata per ultima automaticamente trasferirebbe i propri dosaggi sulle restanti.

Si consiglia di programmare ciascun gruppo erogatore separatamente, da sinistra verso destra. Ogni pulsante ha anche la funzione di interruttore, per cui durante l'erogazione di un caffè lungo, se si desidera fermarla al momento in cui la quantità è giunta al livello desiderato, si può ripremere subito il pulsante precedentemente azionato per ottenere lo scopo, senza aspettare la dose programmata.

#### **Segnalazione di anomalie**

Nel caso che il ventolino non invii segnali alla centralina per un tempo superiore a 3-4 secondi il led del pulsante premuto inizierà a lampeggiare. Questo significa che:

A) qualcosa non funziona nell'arrivo dell'acqua al ventolino e quindi in erogazione al caffè e le cause potrebbero essere:

1. Macinazione troppo fine e quindi erogazione del caffè troppo lenta (goccia a goccia o quasi) per cui il ventolino non è in grado di conteggiare il passaggio dell'acqua nel tempo predefinito in fabbrica per la centralina elettronica.

2. Insufficiente arrivo di acqua in erogazione (sulla polvere del caffè) verosimilmente dovuto ad una o più combinazioni di una delle sotto riportate circostanze:

- parziale occlusione di qualche tubo;
  - cattivo funzionamento dell'elettropompa;
  - cattivo funzionamento dell'elettrovalvola;
  - parziale occlusione del filtro del diffusore.
- B) residui di calcare all'interno del contatore di passaggio dell'acqua che impediscono al ventolino di ruotare liberamente.

C) inefficienza del ventolino stesso e della testata (parte superiore) del contatore recante inferiormente il ventolino in oggetto.

#### **Erogazione del caffè**

Prendere un porta filtro e introdurre nel filtro un pò di caffè macinato: 1 dose per il filtro piccolo, 2 dosi per il filtro più grande; si pressa la polvere con l'apposito attrezzo in dotazione e si innesta nuovamente il portafiltro nel gruppo e si preme uno dei pulsanti con i simboli di 1 o 2 tazze, ristretto o lungo.



Per effettuare diminuzioni dell'erogazione non prevista nella programmazione si può premere nuovamente il tasto inizialmente premuto

In casi di particolari esigenze di erogazione si può azionare il pulsante col simbolo della spirale e premerlo nuovamente quando si è raggiunta la quantità voluta.



Al termine dell'erogazione automaticamente viene scaricata la pressione che si crea nel portafiltro e questo può essere tolto per ripetere una eventuale nuova operazione.

### **INFORMAZIONI GENERALI PER LA PREPARAZIONE DEL CAFFÈ**

Quando la macchina ha raggiunto la pressione di esercizio di 1,2 - 1,5 Bar riscontrabile sulla scala in alto del manometro (part. 3 fig. 1, 2 o 3) e al tempo stesso, la giusta temperatura, mentre il corpo/gruppo è già a temperatura d'infusione, il portafiltro ed il filtro devono essere riscaldati ulteriormente, essendo situati nella parte più bassa del gruppo medesimo ed un po' isolati dallo stesso a causa della guarnizione di tenuta in gomma. Questa operazione deve essere eseguita azionando la leva fig. 2, part. 1 o gli interruttori part. 5 fig. 1 o 3 e mantenendoli in posizione di erogazione per circa 45 secondi. Quindi spegnere gli interruttori medesimi e attendere ancora 2-3 minuti.

In questo periodo di tempo la lancetta della scala inferiore del manometro (part. 3 fig. 1 o 3 o part. 2 fig. 4) può raggiungere anche 11-12 Bar. Questo potrebbe verificarsi ogni volta che azionando i gruppi, l'elettropompa immette acqua fredda nella caldaia caffè alla pressione di 8-9 Bar e, allo stesso tempo, il termostato che regola la temperatura della caldaia stessa inserisce la resistenza elettrica per riportare a giusta temperatura l'acqua in essa contenuta. Tuttavia, in questo caso, è necessario registrare la valvola di espansione (19A fig. 4) in modo che la pressione non superi mai il valore di 12 Bar.

Per ottenere una buona bevanda è importantissimo, oltre ovviamente al tipo di miscela, il grado di macinazione del caffè. La macinazione ideale si trova praticamente, provando a fare alcuni caffè con la grammatura che si ritiene di impiegare per ogni tazza (minimo consigliato 7 gr.). La macinazione più idonea è quella che permette una regolare fuoriuscita della bevanda dai beccucci del portafiltro: né troppo lentamente né troppo velocemente.

### **IMPORTANTE**

La temperatura dell'acqua della caldaia caffè, e quindi dei gruppi, può essere eventualmente aumentata o diminuita a mezzo dell'apposito regolatore di temperatura PID part. 22 fig. 4; vedere capitolo successivo a riguardo. La regolazione finale deve essere effettuata durante la messa a punto, una volta che la macchina è stata definitivamente installata. La pressione dell'acqua in erogazione sul caffè è molto importante. Per questo motivo è fondamentale tarare il by-pass sul pompante a 9 Bar. Questo valore cambia se vi sono delle variazioni di pressione sulla rete idrica. In questo caso è importante adottare accorgimenti tecnici sull'impianto per eliminarle.



## 5. Regolatore di temperatura PID

### Descrizione

#### Descrizione display frontale:

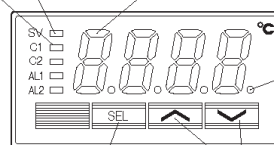
N.B.

Nelle macchine a 1,2,3 erogatori il termostato è installato sul lato sinistro. Nelle macchine a 4 erogatori si trova, invece, su entrambi i lati.

Spia d'accensione caldaia caffè ①

⑥ Spia SV

② Display



⑤ Spia autoregolazione

③ Tasti SEL ④ Tasti

\*\*\* PV: Valore di processo: temperatura misurata  
SV: Valore di impostazione: temperatura impostata

vedere anche fig. 4 - part. 20

#### 1) Spia d'accensione caldaia caffè

Si accende quando l'uscita 1 è attiva, cioè la resistenza è su ON

#### 2) Display

Mostra il valore di processo (PV - process value) o il valore di impostazione (SV - setting value). Durante l'impostazione di un parametro, viene visualizzato il nome o il valore relativo a quel parametro.

#### 3) Tasto SEL

Utilizzato per passare dalla visualizzazione PV a quella SV e viceversa, selezionare un blocco di parametri e registrare un valore impostato.

#### 4) tasti

Utilizzati per modificare il SV, richiamare parametri e modificare

i valori dei parametri.

#### 5) Spia autoregolazione

Lampeggia durante le operazioni di autoregolazione. Per informazioni dettagliate fare riferimento al Manuale \* (vedere pagina 16)

#### 6) Spia SV (valore di impostazione)

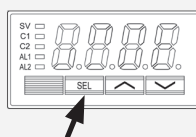
Visualizza il PV (valore di processo) in condizioni normali (quando la spia è accesa). Premere il tasto SEL per far accendere la spia SV e visualizzare il SV. Si noti che la spia è spenta durante la visualizzazione di parametri e dati.

Lampeggia quando viene visualizzato il PV (valore di processo) in modalità standby.

## Operazioni di base

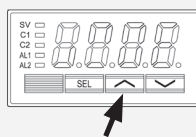
### Come impostare e visualizzare i valori:

Premere il tasto SEL per visualizzare il valore



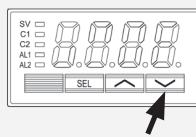
Premere una volta per aumentare di 1 il valore.

Premere e tenere premuto questo tasto per aumentare il valore, quindi attendere alcuni secondi per uscire automaticamente dalla funzione di programmazione.



Premere una volta per diminuire di 1 il valore.

Premere e tenere premuto questo tasto per diminuire il valore, quindi attendere alcuni secondi per uscire automaticamente dalla funzione di programmazione.



\* Per maggiori informazioni sulle potenzialità di questo dispositivo, consultare: [PXR3\\_Fuji\\_Micro\\_controller\\_Manual.pdf](#)

Per ulteriore assistenza, contattare il Dipartimento Post vendita di La Marzocco:

[enrico@lamarzocco.com](mailto:enrico@lamarzocco.com)

[ettore@lamarzocco.com](mailto:ettore@lamarzocco.com)

## 6. Erogazione di vapore e acqua calda

### PREPARAZIONE DEL LATTE

Prima di OGNI utilizzo di vapore procedere con una erogazione a vuoto per garantire lo scarico dell'eventuale condensa acquosa formatasi all'interno della lancia. Dopodiché continuare come descritto nel manuale d'uso.

Inserire una delle 2 lance (parte 9, fig. 1 o 3) collegate al rubinetto del vapore, nel liquido da riscaldare, ruotare gradualmente la manopola (parte 10, fig. 1 o 3) sino a che il vapore fuoriesce all'estremità della lancia (1).

Il vapore trasferirà il calore al liquido facendo aumentare la sua temperatura sino al punto di ebollizione.

Fare attenzione che il liquido non fuoriesca per evitare gravi ustioni.

Per ottenere la montatura del latte necessaria per la preparazione di cappuccini agire nel seguente modo:

- Mettere il recipiente pieno a metà di latte sotto la lancia del vapore
- Aprire il rubinetto e portare il latte alla temperatura desiderata
- Per ottenere il cappuccino aggiungere al caffè caldo il latte precedentemente montato

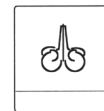
Ad evitare che una eventuale momentanea decompressione della caldaia possa causare una parziale aspirazione del liquido da riscaldare e conseguentemente dopo qualche giorno provochi il cattivo odore sia del vapore erogato dalla lancia part. 9, che del liquido erogato dalla lancia part. 11, si consiglia di svaporizzare a "vuoto" una o due volte per brevi istanti, cioè aprire e chiudere rapidamente il rubinetto part. 10 con la lancia part. 9 non immersa nel liquido prima di procedere all'operazione. Fare attenzione a non ustionarsi con il vapore.

Si consiglia inoltre, una volta posizionata la lancia vapore nel bricco da riscaldare, di aprire subito il rubinetto vapore senza aspettare. Inoltre, quando il bricco è stato riscaldato, seguire la seguente procedura:

- ridurre la pressione del vapore
- rimuovere il bricco
- chiudere il rubinetto del vapore

### EROGAZIONE DI ACQUA CALDA

Prelevare acqua calda tramite la lancia fissa part.11 fig. 1 o 3 posta tra l'ultimo gruppo a destra e la lancia del vapore part. 9 fig. 1 o 3 e premere il pulsante part. 7 fig. 1 o 3 che apre l'erogazione dell'acqua calda.



## 7. Manutenzione e pulizia periodica

**ATTENZIONE**  
LA MACCHINA DEVE ESSERE INSTALLATA IN MODO TALE DA PERMETTERE AL PERSONALE TECNICO DI ACCEDERVI FACILMENTE PER OGNI EVENTUALE INTERVENTO DI MANUTENZIONE

**ATTENZIONE**  
PER QUANTO CONCERNE LE OPERAZIONI DI PULIZIA, NON IMMERGERE, NÉ SPRUZZARE CON ACQUA LA MACCHINA. ATTENERSI ALLE ISTRUZIONI RIPORTATE QUI DI SEGUITO E SEGUIRLE CON MOLTA ATTENZIONE.

### Pulizia gruppo e doccette

Inserire il filtro cieco nel portafiltro e mettere la corretta quantità del prodotto specifico per espresso (seguendo le istruzioni del prodotto) nel filtro, innestare il portafiltro nel gruppo che si desidera pulire.

- Premere il bottone di erogazione per il gruppo in questione, come per una normale tazza di caffè. Fermare l'erogazione dopo circa 15-20 secondi.
- Azionare e fermare l'erogazione più volte fino a che, togliendo il portafiltro, si noterà scendere acqua limpida non saponosa.

**Non togliere mai il portafiltro quando il gruppo è in fase di erogazione.**

- Sciacquare il gruppo usando un filtro normale, azionando più volte l'erogazione.

**ATTENZIONE**  
NON TOGLIERE MAI IL PORTAFILTRO QUANDO VIENE EROGATA ACQUA. QUESTA OPERAZIONE È MOLTO PERICOLOSA IN QUANTO LA PRESSIONE CHE SI SVILUPPA NEL FILTRO CIECO PUÒ GENERARE SCHIZZI VIOLENTI DI ACQUA CALDA E LEGGERMENTE CAUSTICA CHE POSSONO PROVOCARE GRAVI USTIONI. LA CALDAIA DEL CAFFÈ CONTIENE ACQUA A TEMPERATURA ELEVATA. UNA TEMPERATURA DELL'ACQUA SUPERIORE A 125°F/52°C PUÒ ESSERE CAUSA DI GRAVI USTIONI O DI MORTE.

### Pulizia filtri e portafiltri

Facendo una pulizia giornaliera dei filtri e portafiltri in acciaio inox, è sufficiente pulire con acqua e un panno o spazzola appropriata. Altrimenti, usando un prodotto specifico per espresso, seguendo le istruzioni del prodotto, mettere la dose corretta in circa ½ litro di acqua, in un recipiente resistente al calore. Portare ad ebollizione.

- Per i portafiltri in acciaio inox con beccucci con sistema a innesto rapido staccare il beccuccio. Immergere i filtri e le parti metalliche dei portafiltri (non i manici) nella suddetta soluzione calda e lasciare immersi per circa 30 minuti.
- Provvedere a risciacquare abbondantemente con acqua pulita e, rimontando i portafiltri con filtri nei gruppi, azionare più volte l'erogazione.

- Fare un caffè in modo da eliminare i sapori sgradevoli.

### Pulizia della bacinella di scarico

Ogni sera alla chiusura togliere le griglie di appoggio delle tazze, sfilare la bacinella di raccolta dell'acqua di scarico e provvedere alla sua pulizia. Controllare almeno 2 volte la settimana e pulire anche il pozzetto di scarico part. 19 togliendo l'eventuale fanghiglia dei fondi con l'ausilio di un cucchiaino.

### Pulizia della carrozzeria

Usare un panno morbido facendolo scorrere lungo il senso della eventuale satinatura delle superfici in acciaio inox. Non usare assolutamente alcool o solventi sulle parti con scritte o verniciate per evitarne il danneggiamento.

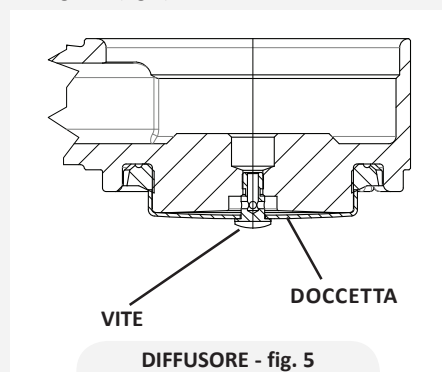
### Pulizia delle lance vapore e acqua calda

Le lance del vapore devono essere pulite subito dopo l'uso con un panno umido e con un brevissimo azionamento con fuoriuscita di vapore onde evitare il formarsi di incrostazioni dentro i fori degli ugelli che potrebbero alterare il sapore di altre bevande in riscaldamento.

### Pulizia doccette erogazione (Reticella di infusione)

Per effetto delle operazioni di scarico del portafiltro (dopo l'erogazione di caffè)

può avvenire che piccoli residui di polvere di caffè vadano pian piano ad ostruire, anche parzialmente, la reticella di infusione. Per effettuarne la pulizia si dovrà toglierla, svitando la vite sottostante e pulirla con la polvere detergente (fig.5)



#### **Elettropompa**

Di tipo volumetrico, capace di sviluppare una pressione di 14 Bar. La pressione di esercizio, già tarata nelle ns. officine in fase di collaudo, è di 8-9 Bar; tuttavia questa può variare da località a località in quanto la pressione della pompa è influenzata dalla pressione della rete idrica. Si può comunque controllare la pressione stessa sulla scala inferiore del manometro part. 3 fig. 1 o 3; part. 4, fig. 2 nel momento in cui si sta facendo un caffè e, se necessario, aumentarla, girando in senso orario la vite del by-pass (sottostante al tappo posto lateralmente sul lato dove è collegata l'alimentazione della pompa) o

diminuirla girando la vite in senso antiorario; la regolazione deve essere effettuata con almeno un gruppo in fase di erogazione di caffè.

#### **IMPORTANTE**

Azionando l'elettropompa a mezzo del pulsante part. 8 fig. 1 o 3. si alimenta direttamente anche la caldaia caffè.

Se quando la macchina è fredda si aziona l'elettropompa nella caldaia si svilupperà una pressione a freddo di 8-9 Bar, per cui nel momento in cui intervengono le resistenze e l'acqua si riscalda, la maggior temperatura produrrà una espansione della stessa che porterà ad un aumento della pressione presente a freddo di c.a. 3 Bar arrivando alla pressione totale di 11 Bar; arrivati a questa pressione deve entrare in funzione la valvola di espansione (di sicurezza) part. 19A, che facendo scaricare alcune gocce d'acqua permette che questa non oltrepassi 12 Bar. Nel caso in cui la pressione superi 12 bar è necessario provvedere alla regolazione della valvola svitando leggermente il cappellotto. Nel caso che tale operazione non fosse sufficiente si dovrà smontare la valvola e ripulirla da possibili incrostazioni calcaree. Lo stesso dicasi nel caso in cui la valvola dovesse rimanere aperta in scarico e cioè non permettere che la pressione giunga a c.a. 8 Bar.

Se la macchina rimane inattiva per un tempo superiore alle 8 ore o in ogni caso dopo tempi lunghi di inutilizzo, è necessario prevedere

cicli di lavaggio prima di compiere erogazioni al fine di sfruttare le massime potenzialità della macchina stessa rispettando le seguenti indicazioni:

- Gruppi: installare i portafiltri inserendoli in ciascun gruppo e ruotandoli come descritto precedentemente ed erogare quindi per almeno 2 minuti acqua da ciascun gruppo caffè;
- Vapore: erogare vapore per almeno un minuto da entrambe le lance presenti sulla macchina;
- Acqua calda: erogare acqua calda per un tempo necessario a prelevare dalla relativa caldaia:

- almeno 1 litro per una macchina a uno/due gruppi

- almeno 2 litri per una macchina a tre gruppi

- almeno 3 litri per una macchina a quattro gruppi

Se la macchina non viene azionata per tempi lunghi, è opportuno seguire le seguenti indicazioni di sicurezza:

- Scollegare dalla rete idrica la macchina o interrompere in ogni caso il collegamento idrico;
- disconnettere elettricamente la macchina dalla rete elettrica.



**ATTENZIONE**  
QUALORA LE SUDETTE INDICAZIONI NON SIANO SEGUITE, IL PRODUTTORE SI DECLINA DA OGNI RESPONSABILITÀ PER DANNI A PERSONE E/O COSE.

## 8. Messa fuori servizio e demolizione

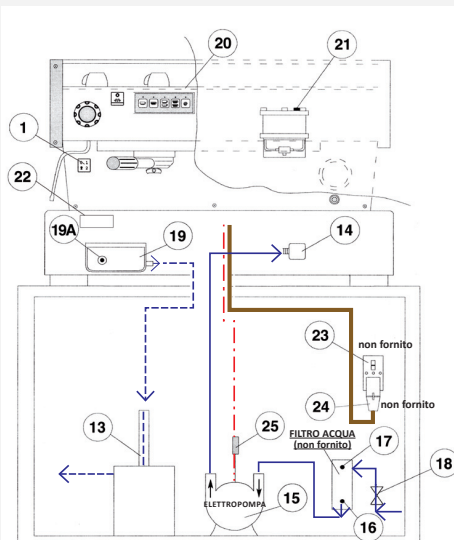


Fig. 3 (vedere anche pag. 7)

Preventivamente portare in posizione "0" l'interruttore generale part. 1.

### **Scollegamento dell'alimentazione elettrica**

Nel caso di collegamento tramite spina part. 24 assicurarsi anche che l'interruttore part. 23 sia spento prima di staccare. Interrompere il collegamento fra il cavo dell'elettropompa part. 15 agendo sull'apposito spinotto part. 25.

### **Scollegamento dell'impianto idrico**

Chiudere l'alimentazione dell'acqua con l'apposito rubinetto posto prima dell'entrata del depuratore. Staccare la tubazione dell'acqua all'entrata del depuratore part. 17, ubicato dopo il rubinetto di intercettazione part. 18 (preventivamente chiuso). Procedere allo smontaggio della tubazione di scarico del pozzetto part. 19.

A questo punto la macchina può essere rimossa dal bancone facendo attenzione durante le operazioni per evitare cadute.

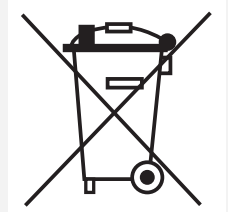
La macchina è composta di vari materiali pertanto nel caso che non sia previsto un suo riutilizzo deve essere trasportata presso una ditta specializzata che provvederà allo smontaggio dividendo i materiali per l'eventuale recupero o il trasferimento agli appositi impianti di smaltimento.

È tassativamente vietato dalle norme vigenti

l'abbandono della macchina sul suolo pubblico o in qualsiasi altro luogo proprietà di terzi.

### **Avviso di riciclaggio: Avvertenza per la Protezione dell'Ambiente.**

Gli apparecchi elettrici vecchi sono composti da materiali pregiati, non rientrano nei normali rifiuti domestici! Preghiamo quindi i gentili clienti di contribuire alla salvaguardia dell'ambiente e delle risorse e di consegnare il presente apparecchio ai centri di raccolta competenti, qualora siano presenti sul territorio.



## 9. Operazioni programmate di manutenzione e di controllo

Queste operazioni si aggiungono alle Operazioni di Manutenzione e Pulizia Periodica come specificato nel Cap. 7

Le seguenti Operazioni di manutenzione e di controllo dovranno essere eseguite periodicamente da personale tecnico qualificato.

**N.B. La garanzia non comprende queste operazioni periodiche.**

### OGNI 3 MESI

- Sostituzione guarnizioni gruppo
- Sostituzione doccette
- Pulizia sonda auto riempimento
- Verifica corretto funzionamento valvola decompressione
- Ispezione valvola ingresso acqua
- Ispezione sistema di scarico (eventuali perdite o occlusioni)
- Verifica portata di ciascun gruppo
- Verifica temperatura di infusione
- Verifica che la pressione di infusione sia a 9bar
- Verifica del corretto funzionamento di tutti gli interruttori
- Verifica/annotazione della durezza dell'acqua (la garanzia non è valida se i parametri dell'acqua non rientrano nel range specificato nel capitolo "Installazione")

### Modello AV:

- Verifica volumi di erogazione
- Test del valore in ohm del flussometro (il valore è accettabile se maggiore di 1,8 K ohm e inferiore a 2,2 K ohm)

### Modello MP:

- Revisione della valvola MP

### OGNI 6 MESI

- Revisione dei rubinetti vapore

### OGNI ANNO

- Sostituzione dei cestelli portafiltro
- Ispezione dei nuclei elettrovalvole gruppo
- Ispezione valvola decompressione
- Ispezione pressostato caldaia vapore
- Ispezione contattore
- Ispezione valvola sicurezza



# linea & fb70

Manuel de Fonctionnement V1.1 - 11/2014



**la marzocco**

handmade in florence

## Chapitres

FR

1. Instructions Générales et Mesures de Sécurité	page 2
2. Définition des Modèles Traités	page 4
3. Installation	page 7
4. Mise en Fonction et Préparation du Café	page 11
5. Régulateur de Température PID	page 16
6. Distribution de Vapeur et d'Eau Chaude	page 18
7. Entretien et Nettoyage Périodique	page 19
8. Mise Hors Service et Au Rebut	page 21
9. Opérations Programmées d'Entretien et de Contrôle	page 22

La Marzocco S.r.l.

Via La Torre 14/H  
Località La Torre  
50038 Scarperia e San Piero  
(Firenze) - ITALIA

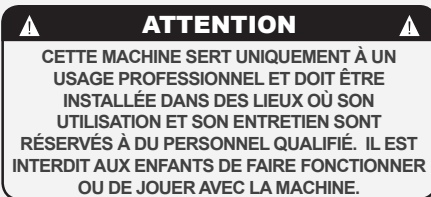
[www.lamarzocco.com](http://www.lamarzocco.com)  
[info@lamarzocco.com](mailto:info@lamarzocco.com)

T: +39 055 849 191  
F: +39 055 849 1990

certifications available:



## 1. Instructions Générales et Mesures de Sécurité



**1)** La notice d'entretien qui suit est un élément intégrant et essentiel de notre produit; elle sera donc livrée à tout usager au moment de l'achat. Chaque usager, de sa part, devra lire attentivement les instructions contenues dans cette brochure pour être correctement renseigné sur la sécurité, l'installation, l'emploi et l'entretien de l'appareil.

L'utilisateur aura soin de bien garder cette brochure après l'installation, afin qu'elle soit toujours disponible, le cas échéant, et afin qu'elle soit livrée aux nouveaux utilisateurs éventuels.

**2)** Vérifiez que l'emballage du produit soit intact et qu'il ne présente aucune trace d'heurts qui pourraient avoir endommagé le contenu.

**3)** Vérifiez que l'appareil soit intact après avoir soigneusement enlevé l'emballage. Si vous avez un doute quelconque concernant l'état de la machine, n'hésitez pas et appelez tout de suite le concessionnaire ou le vendeur qui vous enverra un spécialiste agréé.

**4)** L'emballage (boîtes, sacs en plastique, parties en mousse et autres) ne doit pas être

laissé à la portée des enfants, en raison du danger potentiel qu'il représente, ni être dispersé dans l'environnement.

**5)** Vérifiez que les données figurant sur la plaquette correspondent à celles de votre réseau électrique.

L'installation doit être faite par des ouvriers qualifiés et autorisés, conformément aux règles en vigueur et suivant les instructions du constructeur. Cette machine ne doit pas être installée dans les cuisines.

Une installation incorrecte peut être cause de blessures/dommages aux personnes, animaux ou objets, pour lesquels le constructeur ne peut être tenu pour responsable.

Ce dispositif aura un fonctionnement électrique sûr uniquement si le branchement sur le réseau électrique sera réalisé correctement (c'est-à-dire conformément aux mesures de sécurité en vigueur); il faut surtout contrôler que l'installation de mise à terre soit en règle et fonctionne bien. Ce type de contrôle est strictement nécessaire et doit être entrepris par des personnes qualifiées. L'alimentation de votre installation électrique doit correspondre à la puissance maximale d'absorption figurant sur la plaquette, et la section des câbles doit être pareille.

Nous vous déconseillons l'emploi d'adaptateurs, de prises multiples et/ou de rallonges. Si vous ne pouvez pas vous en passer, veuillez employer des prises, des adaptateurs et des rallonges conformes aux mesures de sécurité

en vigueur, n'oubliant jamais de respecter la puissance indiquée sur l'adaptateur et sur les rallonges.

**6)** Cet appareil devra être utilisé uniquement suivant nos instructions. Tout autre emploi peut être dangereux et donc il est strictement interdit. Le constructeur ne pourra pas être considéré comme responsable pour des dommages éventuels causés par un emploi impropre ou par une mauvaise manipulation. Cet appareil doit être installé conformément aux codes de plomberie fédéraux, nationaux ou locaux en vigueur.

**7)** L'emploi d'un appareil électrique quelconque comporte le respect de certaines règles fondamentales de conduite. En particulier:

- ne pas toucher à l'appareil ayant les mains ou les pieds mouillés;
- ne pas utiliser l'appareil nu-pieds;
- ne pas utiliser des rallonges dans une pièce où il y a des douches (ou des baignoires);
- ne pas tirer le câble d'alimentation pour débrancher l'appareil;
- ne pas exposer l'appareil aux agents atmosphériques (pluie, soleil, etc. etc.);
- ne pas permettre que l'appareil soit utilisé par des enfants ou par des arriérés mentaux;
- ne pas nettoyer le tableau de commandes avec des chiffons mouillés car il n'est pas étanche à l'eau.

**8)** Avant d'entreprendre n'importe quelle opération d'entretien et/ou de nettoyage,

assurez-vous que l'interrupteur général soit en position "0"; ensuite mettez l'appareil hors tension, soit en le débranchant, soit en appuyant sur l'interrupteur Marche/Arrêt. Pour ce qui concerne les opérations de nettoyage, tenez-vous uniquement aux instructions de cette brochure.

9) En cas d'incident de fonctionnement, débranchez l'appareil (comme on vient de décrire) et fermez le robinet d'alimentation de l'eau. N'essayez pas d'entreprendre vous-même la réparation, mais faites appel tout de suite à un spécialiste agréé. La réparation du produit devra être faite par la maison de fabrication ou par un centre autorisé qui n'utilisera que de pièces de rechange d'origine. L'inobservance de toutes ces normes peut compromettre la sécurité de l'appareil et implique dans tous les cas la déchéance de la garantie.

10) Au moment de l'installation il faut prévoir un interrupteur omnipolaire (conformément aux mesures de sécurité en vigueur) muni de fusibles appropriés pour supporter la puissance de la machine qui sera branchée.

11) Afin d'éviter des surchauffages dangereux, on vous recommande de dérouler entièrement le câble d'alimentation.

12) N'obstruez pas les grilles d'aspiration ou de dissipation et ne couvrez surtout pas l'étagage chauffage-tasses avec des chiffons ou autre chose.

13) Le câble d'alimentation de cet appareil ne doit pas être remplacé par l'utilisateur, comme on peut lire sur la plaquette située sur l'appareil, près de la sortie du câble susdit. En cas de dommage du câble, arrêtez l'appareil (voir point 8), fermez l'alimentation de l'eau, et, pour le remplacement, appelez tout de suite un spécialiste agréé.

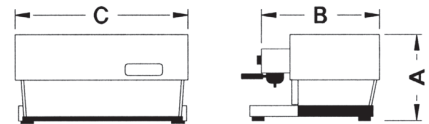
**▲ AVERTISSEMENT ▲**

COMME ON VIENT DE DIRE DANS LES NOTES PRÉCÉDENTES, LE CONSTRUCTEUR NE PEUT PAS ÊTRE CONSIDÉRÉ COMME RESPONSABLE POUR DES DOMMAGES ÉVENTUELS CAUSÉS AUX CHOSES, AUX ANIMAUX ET/OU AUX PERSONNES, AU CAS OÙ NOTRE PRODUIT NE SERAIT PAS INSTALLÉ SUIVANT LES PRESCRIPTIONS DE CE MANUEL ET AU CAS OÙ NOTRE PRODUIT NE SERAIT PAS UTILISÉ POUR LA PRÉPARATION DE CAFÉ ET DE BOISSONS CHAUDES.

**▲ ATTENTION ▲**

CETTE MACHINE N'EST PAS APPROPRIÉE À UN USAGE EXTERNE. IL NE FAUT PAS UTILISER DE JETS D'EAU POUR NETTOYER LA MACHINE, NI LA POSITIONNER LÀ OÙ DES JETS D'EAU SONT UTILISÉS.

Tout ce qui est mis en évidence dans ce manuel est également valable pour la série dénommée FB/70. Les Seules différences concernent les dimensions externes de l'appareil.



#### POIDS ET MESURES COMMUNES À LA SÈRE LINEA

LINEA	1 gr	2gr	3gr	4gr
A cm/pouce	45,5/18	45,5/18	45,5/18	45,5/18
B cm/pouce	56/22	56/22	56/22	56/22
C cm/pouce	49/20	69/28	93/37	117/46
POIDS kg/lb	44/97	58/128	74/163	92/203

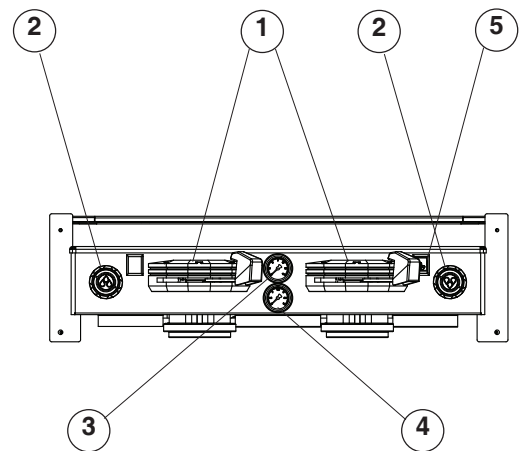
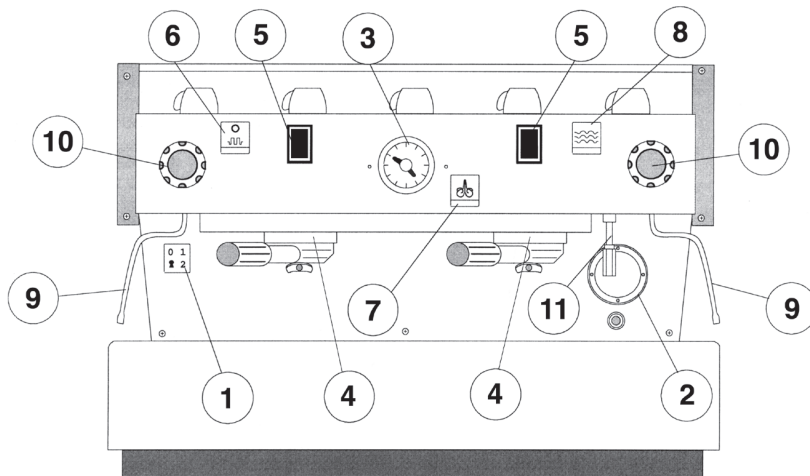
#### POIDS ET MESURES COMMUNES À LA SÈRE FB/70

FB/70	2gr	3gr	4gr
A cm/pouce	45,5/18,5	45,5/18,5	45,5/18,5
B cm/pouce	64/25,5	64/25,5	64/25,5
C cm/pouce	84/33	108/42,5	135/52,25
POIDS kg/lb	58/128	74/163	92/203

## 2. Definition des modeles examines

**Nous vous rappelons que cette notice d'utilisation se réfère uniquement aux modèles de notre fabrication suivants:**

Mod. EE, Mod. AV et Mod. PADDLE avec 1, 2, 3 et 4 groupes de distribution de café



### Légende

- |   |  |                                      |
|---|--|--------------------------------------|
| 1 Interrupteur général  | 7 Interrupteur pour la distribution d'eau chaude | 1 Levier groupe                      |
| 2 Hublot du niveau de l'eau visible                           | 8 Interrupteur de remplissage manuel             | 2 Bouton vapeur                      |
| 3 Manomètre   | 9 Bec à vapeur                                   | 3 Manomètre chaudière-vapeur         |
| 4 Groupes de distribution de café                             | 10 Bouton pour la distribution de la vapeur      | 4 Manomètre chaudière-café           |
| 5 Panneau de commande pour la distribution de café            | 11 Bec à eau chaude                              | 5 Interrupteur de remplissage manuel |
| 6 Interrupteur pour le chauffage des tasses (machines non UL) |  |                                      |

**Illustration 1, Modèle EE, avec 1, 2, 3 et 4 groupes de distribution**

**Illustration 2 - Panneau avant du modèle PADDLE disponible avec 1, 2, 3 et 4 groupes**

### Description générale

Les modèles AV, EE et PADDLE sont fabriqués dans les versions avec 1, 2, 3 et 4 groupes de distribution et ils sont essentiellement constitués par les parties suivantes:

1. Chaudière eau (générateur de vapeur et d'eau chaude);
2. Chaudière saturée (pour la préparation du café);
3. Groupes de distribution;
4. Enveloppe;
5. Pompe à moteur électrique (ou électropompe);

### Description des parties susmentionnées

#### 1. Chaudière eau

Elle se compose d'une enveloppe cylindrique d'une longueur variable selon le nombre des groupes de distribution de café. Chaque exemplaire est réalisé en acier inoxydable et il est essayé par une épreuve hydraulique sous une pression de 3 bar (qui correspond à la pression d'exercice de 1,5 bar). Selon le nombre des groupes de distribution on obtient les volumes effectifs et les puissances installées suivants:

1 groupe	3,5 litres	1300 Watt
2 groupes	7 litres	2000 Watt
3 groupes	11 litres	3000 Watt
4 groupes	14,5 litres	3800 Watt

Des résistances électriques de plus grande puissance sont disponible pour chaudières-vapeur dans quelque marché. Aux extrémités de l'enveloppe cylindrique vous trouverez les couvercles; un de ces couvercles abrite les résistances électriques du chauffage et de vaporisation de l'eau, lesquelles permettent d'atteindre la pression d'exercice dans un délai

d'environ 25 minutes. Le maintien de la pression d'exercice est réalisé au moyen d'un pressostat. Sur la chaudière vous trouverez plusieurs raccords pour les accessoires de sécurité, pour les services d'eau chaude et de vapeur, et pour l'alimentation.

#### 2. Chaudière café

Chaque exemplaire est essayé par une épreuve hydraulique sous une pression de 16 bar qui correspond à la pression d'exercice 9 bar. Selon le nombre des groupes de distribution on obtient les volumes effectifs et les puissances installées suivants:

1 groupe	1,8 litres	1000 Watt
2 groupes	3,4 litres	1400 Watt
3 groupes	5,0 litres	1600 ou 1900 Watt
4 groupes	3,4 + 3,4 litres	1400 +1400 Watt (2 chaudières installées)

Elle se compose d'une enveloppe cylindrique d'une longueur variable selon le nombre des groupes de distribution de café, il est réalisé en acier inoxydable.

Aux extrémités de l'enveloppe cylindrique vous trouverez les couvercles; un de ces couvercles abrite les résistances électriques de chauffage de l'eau, qui, à l'aide d'un thermostat de précision (dT de  $\pm 0,5^{\circ}\text{C}$ ), maintiennent la température qui peut être adaptée à la température optimale pour différents mélanges de cafés. Sur la chaudière il y a les groupes de distribution.

#### 3. Groupe de distribution

Il se compose d'un bloc en acier inoxydable, sur lequel le porte-filtre peut s'encasturer. C'est dans le porte-filtre que vous mettez la dose

de café moulu, et, après avoir mis en marche la distribution, c'est du porte-filtre, à travers son bec, que vous verrez s'écouler le café dans la tasse (ou bien dans les tasses) située(s) au dessous.

#### 4. Enveloppe

Elle se compose d'une coque en tôle d'acier vernie et en acier inoxydable. La structure est le résultat d'études particulières sur la fonction esthétique et sur les moyens de réduire les dépenses ergonométriques de l'utilisateur et de minimiser les incidents.

#### 5. Pompe à moteur électrique ou électropompe

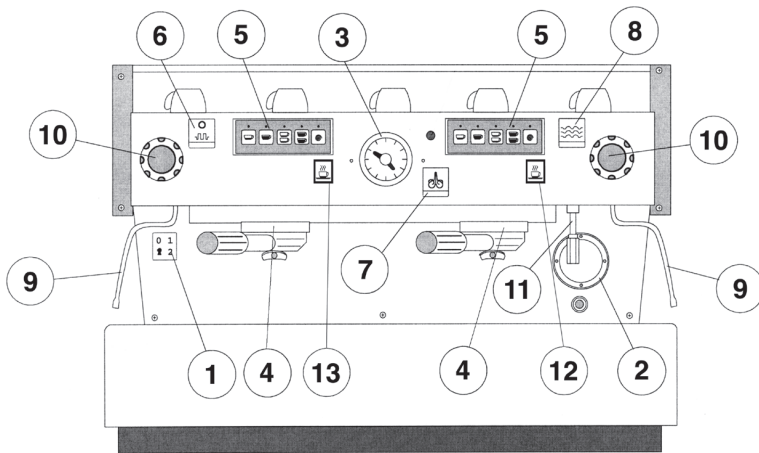
La pompe à palettes est installée sur la conduite d'alimentation de l'eau. Elle se met en marche chaque fois que les groupes de distribution de café sont actionnés, compensant, au moyen d'un indicateur électrique, la consommation d'eau éventuelle de la chaudière eau.

**ATTENTION**

LA CHAUDIÈRE-CAFÉ ET LA CHAUDIÈRE-VAPEUR CONTIENNENT DE L'EAU À UNE TEMPÉRATURE ÉLEVÉE. UNE TEMPÉRATURE DE L'EAU SUPÉRIEURE À 125°F/52°C PEUT CAUSER INSTANTANÉMENT DE GRAVES BRÛLURES OU LA MORT PAR ÉBOUILLANTAGE (CHAUDIÈRE-CAFÉ 200°F/93,3°C-CHAUDIÈRE-VAPEUR 260°F /127°C)

**ATTENTION**

CET APPAREIL N'EST PAS PRÉVU POUR ÊTRE UTILISÉ PAR DES PERSONNES (Y COMPRIS LES ENFANTS) AVEC DES CAPACITÉS PHYSIQUES, SENSORIELLES OU MENTALES RÉDUITES, OU SANS EXPÉRIENCE ET CONNAISSANCE, À MOINS QU'ELLES NE SOIENT SURVEILLÉES OU AIENT REÇU DES INSTRUCTIONS CONCERNANT L'UTILISATION DE L'APPAREIL PAR UNE PERSONNE RESPONSABLE DE LEUR SÉCURITÉ.



### Description générale

La machine modèle AV existe dans les versions à 1, 2, 3, et 4 groupes de distribution et se compose essentiellement des mêmes éléments que le modèle EE.

Le modèle AV se différencie toutefois du modèle EE parce qu'il permet à l'utilisateur de programmer à son gré 4 quantités d'eau différentes pour la distribution du café. A chaque groupe de distribution correspond ainsi un panneau de commandes comprenant 5 touches de sélection, à utiliser selon la demande de votre clientèle:

- 1 dose d'eau pour un café express normal;
- 1 dose d'eau pour un café léger;
- 1 dose d'eau pour deux cafés express normaux;
- 1 dose d'eau pour deux cafés légers.

La cinquième touche sert pour la préparation des autres boissons (comme on verra ensuite); elle a aussi la fonction "on-off" pour la distribution d'eau à volonté.

### III. 3, Modèle AV avec 1, 2, 3, et 4 groupes de distribution

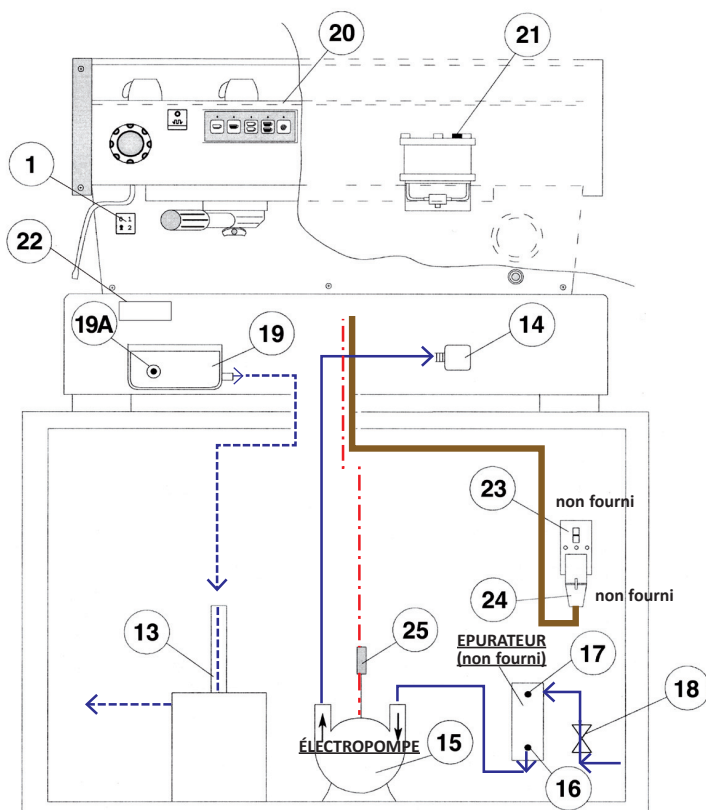
### Légende

- 1 Interrupteur général
- 2 Hublot du niveau visible de l'eau
- 3 Manomètre
- 4 Groupes de distribution de café
- 5 Panneau de commandes pour la distribution du café (Modèle AV)
- 6 Interrupteur pour le chauffage des tasses (machines non UL)
- 7 Bouton-poussoir pour la distribution d'eau chaude
- 8 Interrupteur de remplissage manuel
- 9 Bec à vapeur
- 10 Bouton pour la distribution de la vapeur
- 11 Bec à eau chaude
- 12 Interrupteur distribution manuelle



### Panneau de commande de distribution du café pour le modèle AV

### 3. Installation



#### Legende

- Câble à 380/220/200
- Câble à 220/200
- Tuyau eau
- Tuyau de vidange

1	Interrupteur Général	19A	Valve d'expansion
13	Conduite d'écoulement	20	Couvercle groupe
14	Borne	21	Vis de purge
15	Électropompe	22	Régulateur de Température PID
16	Sortie épurateur	23	Interrupteur
17	Entrée épurateur	24	Prise
18	Robinet	25	Connecteurs
19	Petits puits		

**ATTENTION**  
 LA MACHINE À CAFÉ DOIT ÊTRE PLACÉE EN POSITION HORIZONTALE SUR UN COMPTOIR DONT LA HAUTEUR DEPUIS LE SOL SOIT SUPÉRIEURE À 80CM.

**ATTENTION**  
 LA MACHINE EST PRÉVUE POUR ÊTRE RACCORDÉE DE FAÇON PERMANENTE À UN CÂBLAGE FIXE, ET IL EST RECOMMANDÉ D'INSTALLER UN DISPOSITIF DIFFÉRENTIEL RÉSIDUEL (DDR) AVEC UN COURANT NOMINAL DE FONCTIONNEMENT RÉSIDUEL NE DÉPASSANT PAS 30MA.

## MODELS "EE" "AV" et "PADDLE" 1, 2, 3 et 4 groupes de distribution

### 1) Accessoires

Vérifiez que dans l'emballage, avec la machine équipée des groupes de distribution, il y ait aussi:

- les filtres (une et deux doses) pour chaque groupe de distribution;
- 1 filtre (une dose) et 1 filtre (deux doses) de rechange;
- 1 petit presseur;
- 1 filtre "aveugle" (faux filtre);
- détergent pour les groupes;
- 3 tuyaux tressés en acier inoxydable pour les raccordements hydrauliques;
- 1,5 mètres d'un tuyau en plastique renforcée pour le vidange;
- 1 collier "bloque-tuyau"

**ATTENTION**  
A CHAQUE INSTALLATION, LA MACHINE DOIT ÊTRE ÉQUIPÉE D'UN NOUVEAU JEU DE TUBES POUR LA PLOMBERIE ET DES GARNITURES CORRESPONDANTES.

Afin de réaliser une bonne installation vous devez pouvoir disposer de:

- une conduite d'eau potable avec un robinet terminal de 3/8 gaz (BSP); (Compression 3/8" pour USA et Canada)
  - Alimentation électrique selon les spécifications de la machine espresso achetée (toutes les spécifications ne sont pas disponibles sur tous les marchés):
- Raccordement électrique monophasé/triphasé 220VAC - 50/60 Hz avec terre, prise

- protégée et disjoncteur homologué
- Raccordement électrique monophasé 200VAC - 50/60 Hz avec terre, prise protégée et disjoncteur homologué
- Raccordement électrique triphasé 380VAC - 50/60 Hz avec neutre + terre, près du plan de travail sur lequel la machine est installée et terminant en une prise cinq pôles protégée équipée d'un disjoncteur homologué
- un tuyau de vidange.

### N.B.

- Le robinet d'arrêt de l'eau potable et les interrupteurs terminaux de la prise de courant électrique devront être situés dans l'endroit le plus proche à l'utilisateur afin que celui-ci puisse les actionner facilement et rapidement.
- La machine doit être placée sur un comptoir à plat et doit être placée dans un environnement avec les températures suivantes:  
Température ambiante minimum: 5°C/41°F  
Température ambiante maximum: 32°C/89°F
- Si la machine a été temporairement entreposée dans des lieux avec une température ambiante inférieure à 0°C/32°F, prière de contacter un technicien avant son utilisation.
- La pression d'alimentation de l'eau doit être entre 2 et 6 bar.

**ATTENTION**  
TENSION DANGEREUSE DÉBRANCHER DE L'ALIMENTATION ÉLECTRIQUE AVANT DE PROCÉDER À L'ENTRETIEN

### 2) Raccordement au réseau de distribution d'eau

Pour raccorder la machine au réseau de distribution d'eau procéder selon les indications reportées dans le chapitre concernant l'installation de la machine, en suivant les indications relatives aux normes de sécurité hydraulique propres à chaque Pays dans lequel on installe la machine.

Pour garantir un fonctionnement correct et sûr de la machine et maintenir un niveau de performances approprié de la même, en garantissant une qualité élevée de la boisson distribuée, il est opportun que l'eau en entrée ait une dureté supérieure à 9°f (90ppm, 5°d) et inférieure à 15°f (150ppm, 8.4°d), pH compris entre 6,5 et 8,5 et une quantité de chlorures dissous inférieure à 50 mg/l. Le respect de ces valeurs permet ainsi à la machine de fonctionner au maximum du rendement. Au cas où ces paramètres ne seraient pas conformes, il faut prévoir la présence de dispositifs spécifiques, en s'inspirant dans tous les cas aux réglementations nationales en vigueur en matière de potabilité de l'eau.

Relier donc le raccord de l'éventuel filtre/épurateur de l'eau au réseau d'eau potable par l'intermédiaire de l'un des tuyaux flexibles en acier inoxydable tressés. Avant de raccorder la pompe de l'eau à la machine espresso laisser couler l'eau de façon à éliminer d'éventuels

résidus qui autrement pourraient se déposer dans les logements des robinets et des vannes en compromettant leur juste fonctionnalité.

Relier le raccord de la distribution d'eau potable de la machine espresso à la sortie de l'eau en utilisant l'un des tuyaux flexibles en acier inoxydable tressés fournis. Puis relier le raccord d'entrée de la pompe de l'eau à la sortie de l'éventuel filtre/épuration de l'eau.

**N.B.:** S'assurer que le système d'alimentation en eau soit toujours enclenché pendant le fonctionnement de la pompe; dans le cas contraire, sa fiabilité pourrait en être compromise.

### 3) Branchement électrique

#### ⚠ AVERTISSEMENT ⚠

AVANT D'EFFECTUER TOUT RACCORDEMENT ÉLECTRIQUE S'ASSURER QUE LES 2 CONNECTEURS À AMORTISSEMENT DE TENSION SOIENT FERMEMENT FIXÉS AU CORPS DE LA MACHINE AFIN DE PRÉVENIR UNE CONTRAINTE INVOLONTAIRE SUR LES CÂBLES D'ALIMENTATION.

#### ⚠ ATTENTION ⚠

LE CONSTRUCTEUR DÉCLINE TOUTE RESPONSABILITÉ EN CAS D'ÉVÉNEMENTS ABOUTISSANT À DES POURSUITES EN RESPONSABILITÉ CIVILE SI LA MISE À LA TERRE N'A PAS ÉTÉ EFFECTUÉE CONFORMÉMENT AUX RÉGLEMENTATIONS OU AUX CODES DE L'ÉLECTRICITÉ LOCAUX, NATIONAUX, ET INTERNATIONAUX EN VIGUEUR, OU SI D'AUTRES PIÈCES ÉLECTRIQUES ONT ÉTÉ RACCORDÉES DE MANIÈRE INCORRECTE.

#### a) Cordon d'alimentation

• Il s'agit du câble d'alimentation principal qui alimente toute la machine espresso. Il y a différents types de câbles qui se basent sur les exigences électriques de la machine espresso achetée

→ 200/220VAC Monophasé câble à trois fils avec une section de 2,5/4/6/10mm<sup>2</sup> ou AWG 12/10/8 (pour version UL), bien fixé à la machine espresso via un connecteur avec décharge de traction

→ 220VAC Triphasé câble à quatre fils avec une section de 4 mm<sup>2</sup> pour les versions avec 1, 2, 3 et 4 groupes bien fixés à la machine espresso via un connecteur avec décharge de traction

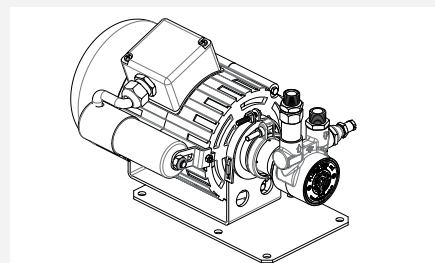
→ Câble triphasé 380 VAC à cinq fils avec une section de 2,5/6mm<sup>2</sup> pour les versions avec 1,2,3, et 4 groupes, fixé à la machine espresso via un connecteur avec décharge de traction

#### ⚠ ATTENTION ⚠

- U.S.A. ET CANADA SEULEMENT -  
NE PAS RACCORDER À UN CIRCUIT  
FONCTIONNANT À PLUS DE 150 V SUR  
CHAQUE PHASE MISE À LA TERRE

#### ⚠ ATTENTION ⚠

AFIN DE PRÉVENIR LES FÊLURES OU  
LES FUITES: NE PAS ENTREPOSER OU  
INSTALLER LA MACHINE À CAFÉ DANS  
DES ENDROITS OÙ LA TEMPÉRATURE  
PEUT GELER L'EAU DANS LA  
CHAUDIÈRE OU DANS LE SYSTÈME  
HYDRAULIQUE.



⚠ **ATTENTION** ⚠  
L'ÉLECTROPOMPE DOIT ÊTRE SITUÉE PRÈS  
DE LA MACHINE DANS UN ENDROIT QUI SOIT  
ACCESSIBLE POUR L'ENTRETIEN MAIS NON  
POUR DES MANIPULATIONS FORTUITES ET  
OÙ IL Y A UNE CIRCULATION D'AIR OPTIMALE

#### b) Cordon d'alimentation moteur pompe à eau

Il s'agit de l'alimentation pour le moteur de la pompe à eau. L'électronique interne mettra en marche le moteur de la pompe lorsque nécessaire.

• Câble à trois fils avec une section de 1,5 mm<sup>2</sup> ou à trois fils AWG 16 (pour version UL) fixé à la machine espresso via un connecteur à amortissement de tension.

#### 4) Raccordement du tuyau de vidange des eaux usées

Le tuyau de vidange de la machine espresso doit être raccordé au moyen du tuyau en plastique renforcé inclus. Raccorder une extrémité du tuyau en plastique renforcé au raccord du tuyau de vidange sur le côté gauche

de la machine espresso, le fixer avec le collier "bloque-tuyau" inclus. Raccorder l'autre extrémité à un système de collecte des eaux usées approprié.

Au cas où ce tuyau n'existerait pas et si acceptable selon les réglementations locales, on peut se servir d'un seau comme puits de décharge. Quant à un prolongement éventuel du tuyau de vidange on vous recommande l'emploi d'un tuyau en PVC renforcé par une spirale métallique et par de bandelettes "bloque-tuyau".

## 4. Mise en marche et préparation du café

Après avoir terminé les opérations d'installation, on met les filtres dans les porte-filtres (Ill. 5), qu'ensuite on insérera sous les sous les groupes en tournant de gauche à droite. Avant d'appuyer sur l'interrupteur général et de mettre sous tension les résistances, remplissez les chaudières d'eau suivant ces règles:

### 1. CHAUDIERE-CAFÉ

L'eau arrive directement dans la chaudière-café et commence à la remplir dès que les robinets de la conduite hydraulique et de l'épurateur sont ouverts. Comme l'eau entrant dans

la chaudière ira tout de suite comprimer l'air qui se trouve au dedans, le remplissage complet de la chaudière et des groupes ne pourra s'accomplir que si vous enlevez le couvercle des groupes (numéro 20, ill. 4) en dévissant au même temps le petit boulon (21), appelé vis de purge. De cette façon l'air pourra sortir. Avant de revisser le petit boulon attendez pourtant jusqu'à ce que quelques gouttes sortent de celui-ci (voir schéma ci-dessous) Ceci doit être répété pour chaque groupe, puis serrer à nouveau les vis de purge et réinstaller le couvercle.

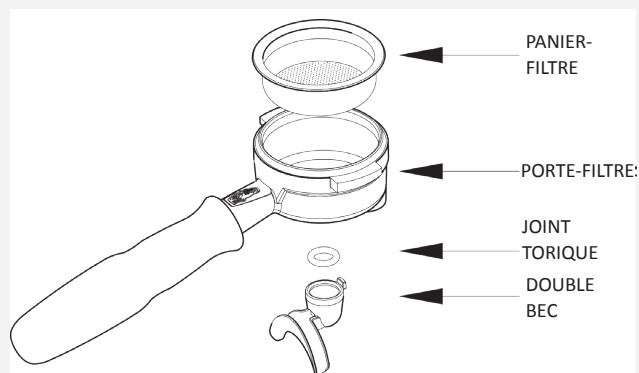
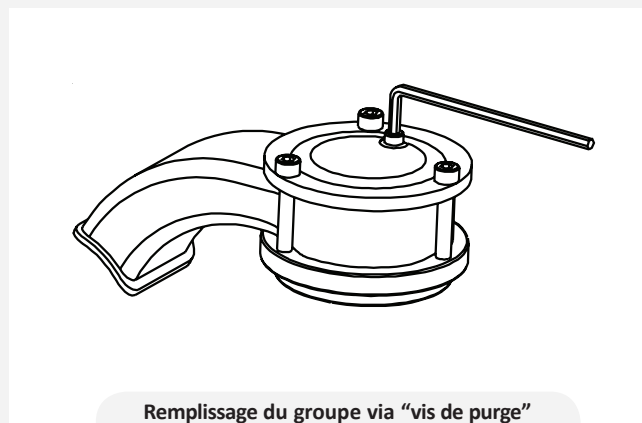


Illustration 5 - Porte-filtre - Voir part. 4, Ill. 1 ou 3



## 2) CHAUDIERE VAPEUR

Positionnez l'interrupteur général (1) sur le numéro "1". L'autoniveleur se mettra automatiquement en marche et actionnera l'électrovalve et l'électropompe (15) en permettant ainsi le remplissage de la chaudière-services jusqu'au niveau prévu, grâce à une sonde plongée dans la chaudière.

### N.B.

Il peut arriver qu'à cause de l'introduction de l'eau l'air dans la chaudière puisse engendrer une certaine pression (qu'on peut voir sur l'échelle du manomètre - 3, ill. 1, 2 ou 3); Pour résoudre cela, éteindre la machine et purger l'air qui se trouve dans les groupes (voir page précédente pour les instructions). Après avoir terminé ces opérations, positionnez l'interrupteur général (1) sur le numéro "2" et attendez que les chaudières atteignent la température et la pression appropriées (il faut compter de 20 à 35 minutes); elles se maintiendront constantes automatiquement. Pendant ce temps il peut arriver que l'aiguille de l'échelle inférieure du manomètre (3, ill. 1 ou 3; ou 4, ill. 2) atteigne même 11-12 Bar, ce qui pourrait se vérifier chaque fois que, en actionnant les groupes, l'électropompe envoie de l'eau froide dans la chaudière-café à une pression de 8-9 Bar et que le thermostat (réglant la température de la chaudière) met sous tension la résistance électrique afin de ramener la température de l'eau à un degré approprié. Ce problème pourtant peut être évité en réglant la valve d'expansion (Ill. 4, 19A) de manière à ce que la pression ne dépasse jamais 12 Bar.

11

### Distribution lors de la première installation

Une fois que les procédures de première installation reportées précédemment sont terminées et avant de procéder aux distributions de Café, Eau Chaude et Vapeur, suivre les indications suivantes:

- Installer les porte-filtres en les insérant dans chaque groupe et en les tournant comme décrit dans la notice d'utilisation; chaque groupe de café doit ensuite distribuer de l'eau pendant au moins 2 minutes;
- Distribuer de la vapeur pendant au moins une minute par les deux buses vapeur présentes sur la machine;
- Distribuer de l'eau chaude pendant une durée de temps nécessaire à prélever de la chaudière relative:
  - au moins 1 litre pour une machine à un/deux groupes
  - au moins 2 litres pour une machine à trois groupes
  - au moins 3 litres pour une machine à quatre groupes



touche pour la distribution du café  
(5, Ill. 1)



### Pour le modèle EE - Ill. 1

Prendre un porte-filtre et mettre un peu de café moulu dans le filtre: les quantités suggérées (en grammes) à utiliser sont marquées au laser sur les filtres mêmes. On presse le café moulu à l'aide du petit presseur, on réinsère le porte-filtre au-dessous du groupe et on appuie sur l'interrupteur (5). Cette touche actionne ainsi la distribution de la boisson; lorsque la quantité de café désirée aura été obtenue, on appuie de nouveau sur l'interrupteur (5) et, automatiquement, la pression présente dans le porte-filtre est déchargée. Le porte-filtre peut ainsi être enlevé et il est prêt pour une nouvelle opération.

### Pour le modèle PADDLE - Ill. 2

Prendre un porte-filtre et mettre un peu de café moulu dans le filtre: les quantités suggérées (en grammes) à utiliser sont marquées au laser sur les filtres mêmes. Presser le café moulu à l'aide du tasseur, réinsérer le porte-filtre au-dessous du groupe. Déplacer le manche du paddle de droite à gauche (partie 1) en permettant ainsi la distribution du café; lorsque la quantité de café

désirée aura été obtenue, remettre le manche du paddle dans sa position originale à droite, à ce moment-là la machine décharge la pression accumulée dans le porte-filtre. Celui-ci peut être enlevé afin de procéder à la préparation d'un autre café, selon le besoin. Pour faire pré-infuser le café dans le filtre, une fois que le porte-filtre aura été inséré sous le groupe, déplacer le manche du paddle seulement à mi-chemin de la droite vers la gauche pendant quelques secondes, puis déplacer complètement à gauche afin de faire démarrer la distribution du/des espresso/s, jusqu'à ce que la dose désirée ait été atteinte dans la tasse, puis éteindre en remettant le manche du paddle dans sa position originale à droite.

### **Pour le modèle AV - III. 3**

Il est nécessaire de programmer la quantité d'eau à verser. Voici donc les instructions qu'il faut suivre attentivement et avec soin. En cas de doutes ou de difficultés, n'hésitez pas et contactez un spécialiste agréé.



TABLEAU DE COMMANDE POUR LA DISTRIBUTION DU CAFÉ dét. 5 fig 3

### **Introduction**

Le système de dosage du café dépend de la quantité d'eau versée sur le café moulu présent dans le filtre (et dans le porte-filtre bien-entendu). Le volume de l'eau est réglé par un système de contrôle (un compteur) placé sur la

bride qui fixe le groupe à la chaudière. Chaque compteur contient un élément tournant (qu'on peut nommer petite hélice) qui se déclenche au passage de l'eau. Voici la séquence du cycle de l'eau:

groupe	→	compteur
compteur	→	électrovalve
électrovalve	→	système de distribution
système de distribution	→	petit bec versant le café.

La petite hélice (qui tourne librement au passage de l'eau), à chaque tour qu'elle accomplit, transmet deux signaux à une petite centrale électronique, qui, après les avoir décodés, actionne le relais de l'électrovalve (correspondant à chaque groupe de distribution) et celui de l'électropompe.

Cette petite centrale reçoit aussi le signal de la sonde de niveau de la chaudière-vapeur et par conséquent elle déclenche les relais de l'électrovalve correspondant à l'électropompe.

### **Instructions pour la programmation des doses - ill. 3**

#### Programmation pour la version 3D/5

Appuyer sur la touche pendant plus de 4 secondes pour avoir accès à la programmation.



Les opérations qui suivent sont les mêmes pour les deux versions.

Les "leds" s'éteignent après 5 secondes si

on n'appuie sur aucune touche. Il faudra alors répéter l'opération précédente pour les réallumer et rendre la petite centrale prête pour la programmation

**1.** D'ici 5 secondes appuyez sur la première touche et appuyez de nouveau lorsque vous aurez obtenu la dose de café souhaitée; Les "leds" alors s'éteindront et cette touche restera ainsi programmée sur la dose que vous venez de choisir.

**2.** Répétez les phases pour les autres trois touches. Quand une touche a été programmée, chaque fois que vous appuyerez sur la touche avec la spirale, le "led" de cette touche ne s'allumera plus.

**3.** Après avoir programmé les premières 4 touches du premier panneau de commande de gauche, les programmes que vous aurez choisis seront ainsi mémorisés et la cinquième touche (celle avec la spirale) aura de nouveau la fonction d'interrupteur pour la distribution à volonté.

### **N.B.**

La programmation du premier groupe de gauche sera la même pour les autres groupes de distribution. Si l'on veut, il est possible de programmer des doses différentes pour les autres groupes, suivant les instructions de 1 à 5 pour chaque panneau de commande. Toutefois, il faut tout d'abord programmer le premier panneau de gauche; autrement il transmettra ses doses aux autres groupes automatiquement, même si ceux-ci ont été programmés différemment avant.

Il est recommandé de programmer chaque

groupe séparément, de gauche à droite. Chaque touche joue aussi le rôle d'interrupteur d'arrêt, donc il est possible d'arrêter la distribution d'un café léger quand on a obtenu la quantité souhaitée, sans devoir attendre la dose programmée.

#### **L'affichage des anomalies**

Au cas où la petite hélice n'enverrait aucun signal à la petite centrale dans un délai de 3-4 secondes, le "led" de la touche choisie commencera à clignoter. Cela signifie que:

A) L'eau n'arrive pas correctement à la petite hélice et donc il y a des problèmes au niveau de la distribution du café. Les causes pourraient être:

**1.** Un café trop moulu, donc une distribution trop lente (goutte à goutte ou presque) pour que la petite hélice puisse régler le passage de l'eau selon les temps prévus par un fonctionnement correct de la petite centrale.

**2.** débit d'eau insuffisant à travers les groupes (par ex. sur la poudre de café) probablement dû à une combinaison d'un ou plusieurs des événements suivants:

- fermeture partielle d'un ou de plusieurs tuyaux;
  - mauvais fonctionnement de l'électropompe;
  - mauvais fonctionnement de l'électrovalve;
  - fermeture partielle du filtre du distributeur;
- B) Des résidus de calcaire à l'intérieur du compteur de passage de l'eau empêchent la petite hélice de tourner librement.

C) Manque de rendement de la petite hélice et de la partie supérieure du compteur, située au dessus de la petite hélice même

#### **Distribution du café**

Prendre un porte-filtre et mettre un peu de café moulu dans le filtre: une dose pour le petit filtre, deux doses pour le filtre plus grand, on presse le café à l'aide du petit presseur, on insère de nouveau le porte-filtre au dessous du groupe et enfin on appuie sur une des touches avec les symboles d'une ou deux tasses (café fort ou léger).



Pour réduire la distribution (ce qui n'est pas prévu par la programmation) on peut appuyer de nouveau sur la touche précédente. Si l'on souhaite une distribution particulière, on peut appuyer sur la touche avec le symbole de la spirale et y appuyer de nouveau quand on a obtenu la quantité souhaitée.



A la fin de la distribution, la pression présente dans le porte-filtre est déchargée automatiquement, le porte-filtre peut alors être enlevé afin de répéter l'opération selon le besoin.

### **NOTICE GÉNÉRALE POUR LA PRÉPARATION DU CAFÉ**

Lorsque la machine a atteint la pression d'exercice, de 1,2 - 1,5 Bar qu'on peut relever en haut du manomètre (3, ill. 1, 2 ou 3) - lorsqu'elle a atteint la juste température et lorsque le groupe a atteint la température d'infusion, le filtre et le porte-filtre (situés dans la partie inférieure du groupe, mais un peu séparés de celui-ci à cause de la garniture d'étanchéité en caoutchouc) doivent être réchauffés davantage; pour obtenir cet effet il faut actionner le paddle (1, ill. 2) ou les interrupteurs (5, ill. 1 ou 3), les maintenir en position de distribution pendant env. 45 secondes, ensuite les éteindre et attendre 2-3 minutes.

Pendant ce temps il peut arriver que l'aiguille de l'échelle inférieure du manomètre (3, ill. 1 ou 3; ou 4, ill. 2) atteigne même 11-12 Bar, ce qui pourrait se vérifier chaque fois que, en actionnant les groupes, l'électropompe envoie de l'eau froide dans la chaudière-café à une pression de 8-9 Bar et que le thermostat (réglant la température de la chaudière) met sous tension la résistance électrique afin de ramener la température de l'eau à un degré approprié. Toutefois, en ce cas, il faut régler la valve d'expansion (19A, ill. 4) de sorte qu'elle ne dépasse jamais la pression de 12 Bar.

Afin d'obtenir une bonne boisson, il faut, bien entendu, employer un bon mélange de café; toutefois le degré de mouture du café est aussi très important. Vous obtiendrez la mouture idéale en essayant de préparer des cafés avec la quantité de poudre que vous

jugerez nécessaire (il est conseillé d'employer au minimum 7 gr.). La mouture idéale est celle qui permet un écoulement régulier de la boisson sortant du petit bec du porte-filtre; l'écoulement ne devra être ni trop lent ni trop rapide.

### **IMPORTANT**

La température de la chaudière-café et donc des groupes peut être éventuellement augmentée ou réduite au moyen du thermostat (22, ill.4) - voir chapitre suivante pour plus de détails. Le réglage final doit être effectué durant la mise au point, une fois que la machine a été installée de façon permanente. La pression de l'eau débitée sur le café est très importante. C'est pour cette raison qu'il est fondamental de calibrer le by-pass sur le pompant à 9 bar. Cette valeur change si des variations de pression se manifestent sur le réseau hydrique. Si ces dernières sont présentes, il est important de prendre des mesures techniques sur l'installation pour les éliminer.

## 5. Régulateur de température PID

### Description

#### Description de l'affichage avant:

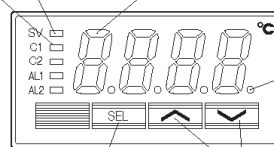
N.B.

Sur les machines à 1,2,3 groupes le Régulateur de Température PID est installé sur le côté gauche. Sur les machines à 4 groupes sur le côté gauche et sur le côté droit.

voir aussi fig. 4 - dét. 20

Voyant lumineux résistance chaudière-café ①

⑥ Voyant SV ② Affichage



⑤ Voyant accord automatique/autoréglage

③ SEL Touche ④ ↑ ↓ Touches

\*\*\* PV: Valeur réelle mesurée en entrée (process value): temp mesurée  
SV: Valeur de consigne (setting value): temp réglée

#### 1) Voyant lumineux résistance chaudière-café

S'allume alors que la sortie de commande 1 reste enclenchée. par ex. résistance électrique enclenchée

#### 2) Affichage

Affiche la PV (valeur réelle mesurée en entrée) ou SV (valeur de consigne). Lors du réglage d'un paramètre, son nom ou sa valeur s'affiche.

#### 3) Touche SEL

Utilisée pour commuter l'affichage de la PV de/vers l'affichage de la SV et sélectionner un bloc de paramètres et un paramètre, et enregistrer une valeur de réglage.

#### 4) Touches ↑ ↓

Utilisées pour modifier la SV, rappeler des paramètres, et modifier les valeurs des paramètres.

#### 5) Voyant accord automatique/autoréglage

Papillote lors d'une opération en accord automatique ou autoréglage.

voir les informations détaillées dans le manuel \* (voir page 16)

#### 6) Voyant SV (valeur de consigne)

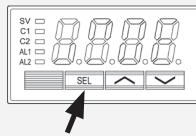
Affiche la PV (valeur réelle mesurée en entrée) dans des conditions normales (tandis que le voyant est allumé). Presser la touche SEL pour allumer le voyant SV et afficher la SV. Noter que le voyant reste éteint tandis que les paramètres et les données sont affichés.

Papillote alors que l'affichage montre la PV (valeur réelle mesurée en entrée) en état de veille.

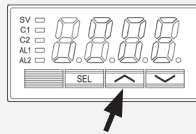
## Opérations de base

### Comment régler et afficher les valeurs:

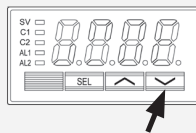
Appuyer sur la touche SEL pour afficher la valeur



Une pression pour augmenter la valeur de 1. Presser et maintenir enfoncée cette touche pour augmenter à la valeur désirée puis attendre quelques secondes pour sortir automatiquement de la fonction de programmation.



Une pression pour diminuer la valeur de 1. Presser et maintenir enfoncée cette touche pour diminuer à la valeur désirée puis attendre quelques secondes pour sortir automatiquement de la fonction de programmation.



\* Pour plus d'information sur les potentialités de ce dispositif, faire référence à:

**PXR3\_Fuji\_Micro\_controller\_Manual.pdf**

Pour plus d'assistance appeler le Service d'après-vente de La Marzocco,

enrico@lamarzocco.com  
ettore@lamarzocco.com

## 6. Distribution de Vapeur et Eau Chaude

### POUR FAIRE MOUSSER LE LAIT

Avant CHAQUE utilisation de vapeur procéder à une distribution à vide pour garantir l'évacuation de l'éventuelle condensation aqueuse qui s'est formée à l'intérieur de la buse. Après quoi continuer comme décrit dans la notice d'utilisation.

Introduire l'une des 2 lances (dét. 9, fig. 1 ou 3) qui sont raccordées au robinet à vapeur, dans le liquide à chauffer, tourner le bouton (dét. 10, fig. 1 ou 3) graduellement jusqu'à ce que la vapeur sorte à l'extrémité de la lance (1).

La vapeur transférera de la chaleur au liquide en faisant augmenter sa température jusqu'au point d'ébullition.

Veiller à ce que le liquide ne déborde pas afin d'éviter de graves brûlures.

Pour faire mousser le lait servant à préparer un cappuccino avec la juste quantité de mousse, suivre les étapes suivantes:

- Placer le récipient à lait demi-plein sous la lance-vapeur
- Ouvrir immédiatement le robinet et amener la température du lait à la température que l'on désire
- Ensuite, il sera possible de verser ce lait dans une tasse contenant un espresso chaud et vous obtiendrez un délicieux cappuccino

Afin d'éviter qu'une partie du liquide à chauffer ne soit aspirée dans la chaudière (à cause d'une possible décompression temporaire à l'intérieur du réservoir de la chaudière) ce qui causerait à la vapeur et au liquide distribués par la lance dét. 9 et la lance dét. 11 respectivement d'avoir une mauvaise odeur, nous recommandons de dévaporiser la machine une à deux fois pendant quelques secondes à peine, c'est-à-dire ouvrir et fermer rapidement le robinet (dét. 10) avec la lance (dét. 9) non immergée dans le liquide avant de commencer à le faire mousser.

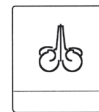
Faire attention à ne pas se brûler avec la vapeur.

En outre, une fois que la buse à vapeur est immergée dans le pichet où se trouve le liquide à faire mousser ou chauffer, ouvrir immédiatement le robinet à vapeur. Une fois que le liquide aura été chauffé, suivre cette procédure:

- baisser la pression de la vapeur
- enlever le pichet
- fermer le robinet à vapeur

### DISTRIBUTION D'EAU CHAUDE

Il est possible d'obtenir de l'eau chaude en utilisant la buse fixe (fig. 1 ou 3), située entre le groupe le plus éloigné sur la droite et la lance à vapeur (pièce 9, fig. 1 ou 3), et en pressant le bouton (dét. 7, fig. 1 ou 3) qui commande la distribution d'eau chaude.



## 7. Opérations d'entretien et de nettoyage périodique

### ATTENTION

CETTE MACHINE DOIT ÊTRE INSTALLÉE DE FAÇON À CE QUE LE PERSONNEL TECHNIQUE PUISSE FACILEMENT Y ACCÉDER POUR UN ÉVENTUEL ENTRETIEN.

### AVERTISSEMENT

LA MACHINE NE DOIT PAS ÊTRE PLONGÉE DANS L'EAU, NI ÉCLABOUSSÉE AFIN DE LA NETTOYER. POUR LES OPÉRATIONS DE NETTOYAGE, PRIÈRE DE SUIVRE TRÈS ATTENTIVEMENT LES INSTRUCTIONS REPORTÉES CI-DESSOUS.

### AVERTISSEMENT

N'ENLEVEZ JAMAIS LE PORTE-FILTRE PENDANT QU'IL EST EN PHASE DE DISTRIBUTION. CETTE OPÉRATION EST TRÈS DANGEREUSE, CAR LA PRESSION PRÉSENTE DANS LE FILTRE "AVEUGLE" PEUT PROVOQUER DES GICLÉES VIOLENTES D'EAU CHAUDE ET LÉGÈREMENT CAUSTIQUE, GICLÉES QUI PEUVENT CAUSER DES GRAVES BRÛLURES. LA CHAUDIÈRE-CAFÉ CONTIENT DE L'EAU À UNE TEMPÉRATURE ÉLEVÉE. UNE TEMPÉRATURE DE L'EAU SUPÉRIEURE À 125°F / 52°C PEUT CAUSER INSTANTANÉMENT DE GRAVES BRÛLURES OU LA MORT PAR ÉBOUILLANTAGE.

#### Nettoyage des groupes et des petits puits

Insérer le filtre aveugle dans le porte-filtre et mettre la quantité correcte de détergent pour machine espresso (en suivant les instructions du produit) dans le filtre, enclencher le porte-filtre dans le groupe que l'on veut nettoyer.

- Presser le bouton de distribution du groupe mentionné, comme si l'on voulait préparer une tasse de café normale. Interrompre l'écoulement d'eau après environ 15-20 secondes.

- Mettre en marche et arrêter le groupe plusieurs fois jusqu'à ce que l'on remarque que l'eau distribuée est claire au lieu d'être savonneuse lorsqu'on enlève le porte-filtre.

**Ne pas enlever le porte-filtre lorsque le groupe est, de fait, en train de distribuer de l'eau.**

- Rincer le groupe en utilisant un filtre normal dans le porte-filtre, en faisant couler de l'eau chaude à travers celui-ci à plusieurs reprises.

#### Nettoyage des filtres et des porte-filtres

Lorsqu'on procède à un nettoyage quotidien des filtres et porte-filtres en acier inoxydable il suffit de les nettoyer avec de l'eau et un chiffon ou une brosse appropriée. Autrement, utiliser un détergent pour machine espresso et, en suivant les instructions du produit, mettre la dose correcte dans environ un 1/2 litre d'eau à l'intérieur d'un récipient résistant à la chaleur et chauffer.

- Si l'on utilise des porte-filtres en acier inoxydable avec des bacs à clip ôter le bec. Immerger les filtres et les parties métalliques des porte-filtres (pas les manches) dans la solution chaude et les laisser immergés pendant environ 30 minutes.

- Rincer minutieusement à l'eau claire et faire couler de l'eau chaude à travers le groupe à plusieurs reprises avec le filtre et le porte-filtre enclenchés.

- Préparer un café de façon à faire disparaître toute saveur désagréable.

#### Nettoyage de la cuvette de décharge

Chaque soir, lors de la fermeture, enlevez les grilles de soutien des tasses. Retirez la cuvette de recueil de l'eau de décharge et nettoyez-la. Contrôlez au moins deux fois par semaine et nettoyez également le bac de décharge (part 19), en enlevant à l'aide d'une cuillère la "bourbe" éventuelle des marcs de café.

#### Nettoyage de l'enveloppe

Au moyen d'un chiffon frottez suivant le sens du satinage éventuel des surfaces en acier inoxydable. N'appliquez jamais d'alcools ou de solvants sur les parties avec des inscriptions ou des couches de peinture, parties qui autrement pourraient être endommagées.

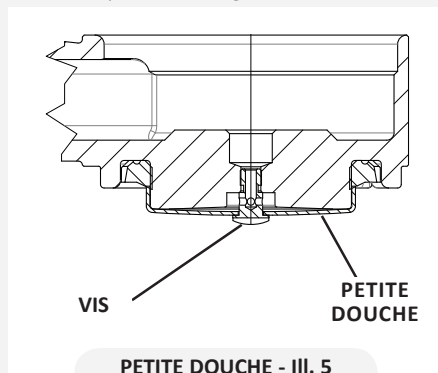
#### Nettoyage du bec à vapeur et du bec à eau chaude

Le bec à vapeur doit être nettoyé juste après son emploi avec un chiffon humide. Il faut ensuite actionner rapidement la distribution de la vapeur, afin d'éviter la formation d'incrustations dedans les trous des gicleurs, incrustations qui pourraient modifier le goût des autres boissons à réchauffer.

#### Nettoyage des petites douches de distribution (filet d'infusion)

A cause des opérations de décharge du porte-filtre (après la distribution du café) il peut arriver que de petits résidus de poudre de café puissent peu à peu bloquer, même

partiellement, le filet d'infusion (de la petite douche). Pour procéder à son nettoyage, il faut d'abord l'enlever en dévissant sa vis de retenue, puis le faire tremper dans un récipient avec de la poudre détergente.



#### L'électropompe

Elle est de type volumétrique et elle peut arriver à dégager une pression de 14 Bar. La pression d'exercice, que nous avons déjà étalonnée pendant l'essai de la machine, est de 8-9 Bar; toutefois elle peut varier suivant la pression de distribution du réseau hydraulique puisque la pression de la pompe est influencée par la pression d'arrivée des canalisations d'eau. Il faut toujours contrôler la pression sur l'échelle inférieure du manomètre (3, ill. 1 ou 3; 4, ill. 2) pendant la distribution d'un café, et donc, le cas échéant, vous pouvez l'augmenter en tournant dans le sens des

aiguilles d'une montre la vis du by-pass (qui se trouve au-dessous du bouchon situé à côté de l'alimentation de la pompe), ou bien la réduire en tournant la vis dans le sens contraire. Rappelez-vous que le réglage doit être effectué pendant qu'au moins un groupe de distribution est en marche.

#### IMPORTANT

En appuyant sur la touche (8, ill. 1 ou 3) on actionne l'électropompe et aussi, directement, la chaudière café.

La machine étant froide, une pression à froid de 8-9 Bar se dégagera dans la chaudière; par conséquent, quand les résistances réchaufferont l'eau, la hausse de la température provoquera une expansion de l'eau même, et donc une élévation de la pression à froid d'environ 3 Bar. On atteindra ainsi une pression totale de 11 Bar; la valve d'expansion (sécurité, 19A) gardera cette pression constante en dégageant des gouttes d'eau, afin de prévenir que la pression dépasse 12 Bar.

Au cas où la pression dépasserait 12 Bar, il faut régler la valve en la dévissant un petit peu. Si cela n'est pas suffisant, il faudra démonter la valve, la nettoyer et éventuellement la détartre. Il faudra aussi procéder au détartrage au cas où la valve resterait ouverte au moment du vidange, ce qui empêcherait à la pression d'atteindre 8 Bar.

Si la machine reste inactive pendant une durée de temps supérieure à 8 heures ou dans tous les cas après une longue durée d'inutilisation, il faut

prévoir des cycles de lavage avant d'accomplir des distributions afin d'exploiter les capacités maximales de la machine en respectant les indications suivantes:

- Groupes: installer les porte-filtres en les insérant dans chaque groupe et en les tournant comme décrit précédemment et faire ensuite distribuer de l'eau à chaque groupe de café pendant au moins 2 minutes;
- Vapeur: distribuer de la vapeur pendant au moins une minute par les deux buses vapeur présentes sur la machine;
- Eau chaude: distribuer de l'eau chaude pendant une durée de temps nécessaire à prélever de la chaudière relative:
  - au moins 1 litre pour une machine à un/deux groupes
  - au moins 2 litres pour une machine à trois groupes
  - au moins 3 litres pour une machine à quatre groupes

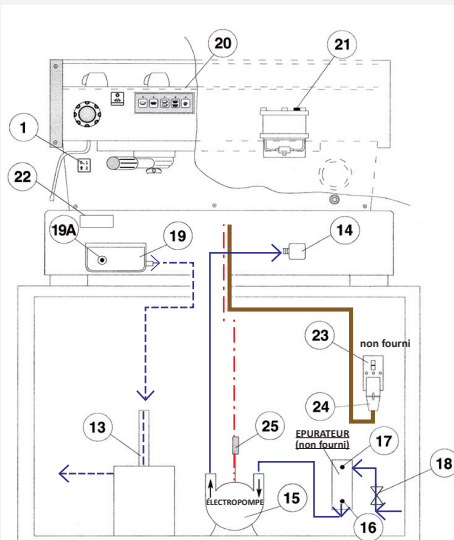
Si la machine n'est pas actionnée pendant une longue période de temps, il est opportun de suivre les indications de sécurité suivantes:

- Débrancher la machine du réseau de distribution d'eau ou interrompre dans tous les cas le raccordement hydraulique;
- déconnecter électriquement la machine du réseau électrique.

**ATTENTION**

AU CAS OÙ LES SUS-DITES INDICATIONS NE SERAIENT PAS SUIVIES, LE PRODUCTEUR DÉCLINE TOUTE RESPONSABILITÉ EN CAS DE DOMMAGES AUX PERSONNES ET/OU AUX CHOSES.

## 8. Mise hors de service et démolition



Ill. 3 (voir aussi page 7)

Tout d'abord mettez l'interrupteur général (1) à "0".

### **Mise hors tension**

Si le branchement est réalisé au moyen d'une prise (24), assurez-vous que l'interrupteur (23) soit sur "arrêt" avant de débrancher. Ensuite débranchez l'électropompe (15), qui était branchée sur le réseau électrique au moyen d'une petite prise (25)

### **Arrêt de l'alimentation hydraulique**

Fermez le robinet situé juste avant l'entrée de l'épurateur. Détachez le tuyau de l'eau situé à l'entrée de l'épurateur (17), juste derrière le robinet d'interception (18, préalablement fermé).

Ensuite vous pourrez démonter le tuyau de vidange du petit puits (19).

Maintenant il est possible de déplacer la machine, avec prudence et faisant attention.

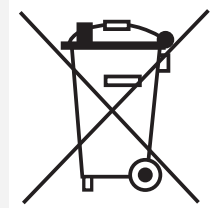
Étant donné que la machine se compose de plusieurs matériaux, il faut l'amener chez un démolisseur qui la démontera, séparant les matériaux pour un recyclage éventuel, ou en envoyant les pièces à des points de démontage spécialisés.

Il est strictement interdit par la loi d'abandonner la machine sur le sol public ou dans un endroit quelconque appartenant à autrui.

### **Avertissement de recyclage:**

### **Avertissement pour la protection de l'environnement .**

Les vieux appareils électriques sont des matériels précieux et ne sont pas des ordinaires déchets domestiques! Nous prions nos gentille clientèle de collaborer pour la défense de l'environnement et des ressources et de remettre cet appareil aux centre de recueil compétents présents dans le territoire.



## 9. Opérations programmées de maintenance et de contrôle

Ces opérations viennent s'ajouter aux opérations d'Entretien et de Nettoyage Périodique telles que spécifiées au Chapitre 7

Les Opérations suivantes de Maintenance et de Contrôle doivent être effectuées périodiquement par le personnel technique qualifié.

**N.B. Ces opérations d'entretien périodique ne sont couvertes par aucune garantie.**

### TOUS LES TROIS MOIS

- Remplacer les joints du groupe
- Remplacer les écrans de diffusion
- Nettoyer la sonde de remplissage automatique
- Contrôler que le casse-vide fonctionne correctement
- Inspecter la vanne d'arrivée d'eau
- Inspecter si le système de purge présente des fuites ou des colmatages
- Contrôler le débit pour chaque groupe
- Contrôler la température de distribution
- Contrôler que la pression de distribution soit de 9bar
- Contrôler que tous les interrupteurs fonctionnent correctement
- Contrôler/noter la dureté de l'eau (La qualité de l'eau doit se situer à l'intérieur de la plage de paramètres spécifiés dans le chapitre sur l'Installation, autrement la garantie est nulle)

### En cas de Modèle AV:

- Contrôler les doses
- Tester la valeur ohmique du débitmètre (la valeur ohmique est acceptable si supérieure à 1.8 K ohm, et inférieure à 2.2 K ohm)

### En cas de Modèle MP:

- Changer la soupape MP

### TOUS LES SIX MOIS

- Changer les ensembles vapeur

### ANNUELLEMENT

- Remplacer les paniers des porte-filtres
- Inspecter les tiges de commande du groupe
- Inspecter le casse-vide
- Inspecter le pressostat de la chaudière-vapeur
- Inspecter le contacteur
- Remplacer la vanne de surpression



# linea & fb70

Betriebsanleitung V1.1 - 11/2014



**la marzocco**

handmade in florence

## Kapitel

1. Allgemeine Hinweise und Sicherheitsvorkehrungen	Seite 2
2. Definition der Vorhandenen Modelle	Seite 4
3. Installation	Seite 7
4. Inbetriebnahme und Kaffeezubereitung	Seite 11
5. Temperaturregler PID	Seite 16
6. Dampf- und Heißwasserausgabe	Seite 18
7. Wartung und Regelmäßige Periodische Reinigung	Seite 19
8. Außerbetriebnahme und Abbau	Seite 21
9. Programmierte Wartungs- und Kontrollvorgänge	Seite 22

La Marzocco S.r.l.

Via La Torre 14/H  
Località La Torre  
50038 Scarperia e San Piero  
(Firenze) - ITALIA

[www.lamarzocco.com](http://www.lamarzocco.com)  
[info@lamarzocco.com](mailto:info@lamarzocco.com)

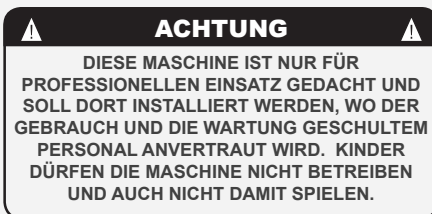
T: +39 055 849 191  
F: +39 055 849 1990

DE

Vorhandene Zertifizierungen:



## 1. Allgemeine Hinweise und Sicherheitsvorkehrungen



**1)** Die vorliegende Bedienungsanleitung bildet einen vervollständigenden und bedeutenden Teil des Produktes und muß dem Benutzer ausgehändigt werden. Der Benutzer soll die Bedienungsanleitung aufmerksam lesen, da sie Auskunft über die Informationen betreffend der Installationssicherheit, des Gebrauchs und der Wartung gibt. Die vorliegende Bedienungsanleitung soll sorgfältig aufbewahrt werden und zur weiteren Beratung und für einen jeden neuen Gebrauch der Produktes verfügbar sein.

**2)** Mit der Verpackung beginnend, die Unversehrtheit des Produktes kontrollieren und sich vergewissern, dass es keine Stoßspuren aufweist, die dem Inhalt Störungen zugefügt haben könnten.

**3)** Nach sorgsamem Entfernen der Verpackung, die Unversehrtheit des Gerätes kontrollieren. Im Falle von Zweifeln nicht fortfahren und sich umgehend mit dem Fachhändler oder mit dem Verkäufer in Verbindung setzen, welcher dafür sorgen wird, speziell ausgebildetes und zur Handhabung des Gerätes autorisiertes Personal zu schicken.

**4)** Die Verpackungsteile (Karton, Tüten, Polystyrol-

schaum und sonstiges) sollen weder in Reichweite von Kindern gelassen werden noch in der Umwelt verstreut werden, da sie Ursache von Gefahren darstellen.

**5)** Kontrollieren, ob die Angaben des Datenschildes mit denen des am Aufstellungsort installierten elektrischen Netzes übereinstimmen. Die Installation muß unter Beachtung der geltenden Normen, nach den Anleitungen des Herstellers und mittels qualifizierten und autorisierten Personals durchgeführt werden.

**Diese** Maschine sollte nicht in Küchen installiert werden.

Eine nicht korrekte Installation kann Ursache für Personenschäden, Sachschäden oder Schäden an Tieren sein, für welche der Hersteller nicht als Schuldiger in Betracht gezogen werden kann.

Die elektrische Funktionssicherheit dieses Gerätes ist nur dann gewährleistet, wenn der Anschluss an das Stromnetz korrekt gemäß den geltenden Normen und mit besonderer Achtsamkeit gegenüber der Leistungsfähigkeit der Erdungsanlage durchgeführt wird. Da letztere eine fundamentale Voraussetzung zur Sicherheit darstellt, ist es notwendig, diese zu überprüfen und im Falle von Zweifeln eine Kontrolle mittels qualifizierten Personals durchzuführen.

Darüber hinaus muß kontrolliert werden, ob die Kapazität der elektrischen Anlage für die auf dem Datenschild angegebene, maximale Leistungsaufnahme tauglich ist, und ob der Kabelquerschnitt geeignet ist.

Der Gebrauch von Adaptern (Passtückchen), Mehr-

fachsteckern oder/und Verlängerungen ist nicht zu empfehlen. Falls nicht anders möglich, nur Stecker, Adapter oder Verlängerungen, die den geltenden Normen entsprechen, benutzen, wobei darauf zu achten ist, dass die Grenze der Kapazität und der Leistungsfähigkeit, angegeben auf dem Datenschild des Adapters oder der Verlängerungen, nicht überschritten wird.

**6)** Dieses Gerät darf nur für den Gebrauch verwendet werden, für den es entworfen und hergestellt worden ist. Jedweder sonstiger Gebrauch ist als nicht korrekt und somit als gefährlich anzusehen. Bei eventuellen Schäden, hervorgerufen durch irrtümlichen und unvernünftigen Gebrauch, ist der Hersteller nicht als Verantwortlicher in Betracht zu ziehen. Dieses Gerät muss in Übereinstimmung mit den geltenden Bundes-, Staats- oder Ortsrichtlinien für Sanitäre Anlagen installiert werden.

**7)** Der Gebrauch eines jeden Elektrogerätes führt die Berücksichtigung einiger fundamentaler Verhaltensregeln mit sich.

Im Besonderen:

- das Gerät nicht mit feuchten oder nassen Händen oder Füßen berühren;
- das Gerät nicht barfuß bedienen;
- keine Verlängerungen in Dusch- oder Baderäumen benutzen;
- nicht das Hauptanschlusskabel ziehen, um das Gerät vom Stromnetz zu trennen;
- das Gerät nicht der Witterung (Regen, Sonne, etc.) aussetzen;
- nicht zulassen, dass das Gerät von Kindern oder Unfähigen/Unbefugten benutzt wird;

- das Bedienpult nicht mit nassen Lappen reinigen, da es nicht wasserdicht ist.

**8)** Vor Durchführung jedweder Wartungs- oder Reinigungstätigkeit, den sich am Gerät befindlichen Hauptschalter auf „0“ stellen und das Gerät von dem elektrischen Hauptanschlusskabel abtrennen, indem Sie entweder den Stecker herausziehen oder den Schalter des Gerätes abstellen. Bei der Durchführung von Reinigungen sich ausschließlich an den in der Bedienungsanleitung angegebenen Rhythmus halten.

**9)** Im Falle eines Nicht-Funktionierens oder von Störungen des Gerätes, das selbige vom Stromnetz abtrennen (wie im vorherigen Punkt beschrieben) und den Hahn der Wasserversorgung schließen. Von jedem Reparaturversuch ablassen und sich an das professionell ausgebildete und autorisierte Personal wenden. Eventuelle Reparaturen des Produktes müssen ausschließlich vom Hersteller oder mittels eines autorisierten Zentrums und mit originalen Ersatzteilen durchgeführt werden. Mangelnde Berücksichtigung des obengenannten kann zur Beeinflussung der Sicherheit des Gerätes führen und hat den Verfall der Garantie zur Folge.

**10)** Bei der Installation soll ein omnipolarer Stecker mit Sicherungen, die für Stärke der anzuschliessenden Maschine geeignet sind, verwendet werden.

**11)** Um ein gefährliches Überhitzen zu verhindern, ist es empfohlen das ganze Hauptanschlusskabel abzuwickeln.

**12)** Nicht den Rost der Absauganlage oder der

Verlustleistung verstopfen, und insbesondere die Ablage zum Aufwärmen der Tassen nicht mit Tüchern oder sonstigem verdecken.

**13)** Das Hauptanschlusskabel dieses Gerätes soll nicht von dem Benutzer ausgewechselt werden, wie es auch auf dem Datenschild - in der Nähe des Ausgangs des selbigen aus dem Gerät - genau erklärt ist. Im Falle einer Beschädigung des Kabels das Gerät abstellen (wie zuvor in Punkt 8 beschrieben), den Hahn der Wasserversorgung absperrern und sich zum Auswechseln des Kabels ausschließlich an professionelles und qualifiziertes Personal wenden.

**VORSICHT**

WIE SCHON IN DEN VORHERIGEN HINWEISEN ANGEZEIGT, KANN DER HERSTELLER NICHT ALS VERANTWORTLICHER BEI SACHSCHÄDEN, SCHÄDEN AN TIEREN UND/ODER PERSONEN IN BETRACHT GEZOGEN WERDEN, WENN DAS PRODUKT NICHT RICHTIG NACH DEN IN DER BEDIENUNGSANLEITUNG ENTHALTENEN BESCHREIBUNGEN INSTALLIERT WORDEN IST, ODER WENN ES NICHT FÜR DIE VORGESEHENEN FUNKTIONEN, D.H. FÜR DIE AUSGABE VON KAFFEE ODER ANDERER HEISSE GETRÄNKE, BENUTZT WORDEN IST.

**ACHTUNG**

DIESE MASCHINE IST NICHT FÜR DIE VERWENDUNG IM FREIEN BESTIMMT. ES DÜRFEN KEINE WASSERSTRAHLEN ZUR REINIGUNG DER MASCHINE VERWENDET WERDEN, EBENFALLS SOLLTE SIE NICHT IN UMGEBUNGEN AUFGESTELLT WERDEN, IN DENEN WASSERSTRAHLEN VERWENDET WERDEN.

Sämtliche in diesen Betriebsanleitungen aufgeführten Angaben gelten auch für die Serie „FB/70“. Sie unterscheidet sich nur in den Außenabmessungen der Maschine



IN DER SERIE „LINEA“ ÜBEREINSTIMMENDE MASSE UND GEWICHTE

LINEA	1 gr	2gr	3gr	4gr
A cm/Zoll	45,5/18	45,5/18	45,5/18	45,5/18
B cm/Zoll	56/22	56/22	56/22	56/22
C cm/Zoll	49/20	69/28	93/37	117/46
GEWICHT kg/lb	44/97	58/128	74/163	92/203

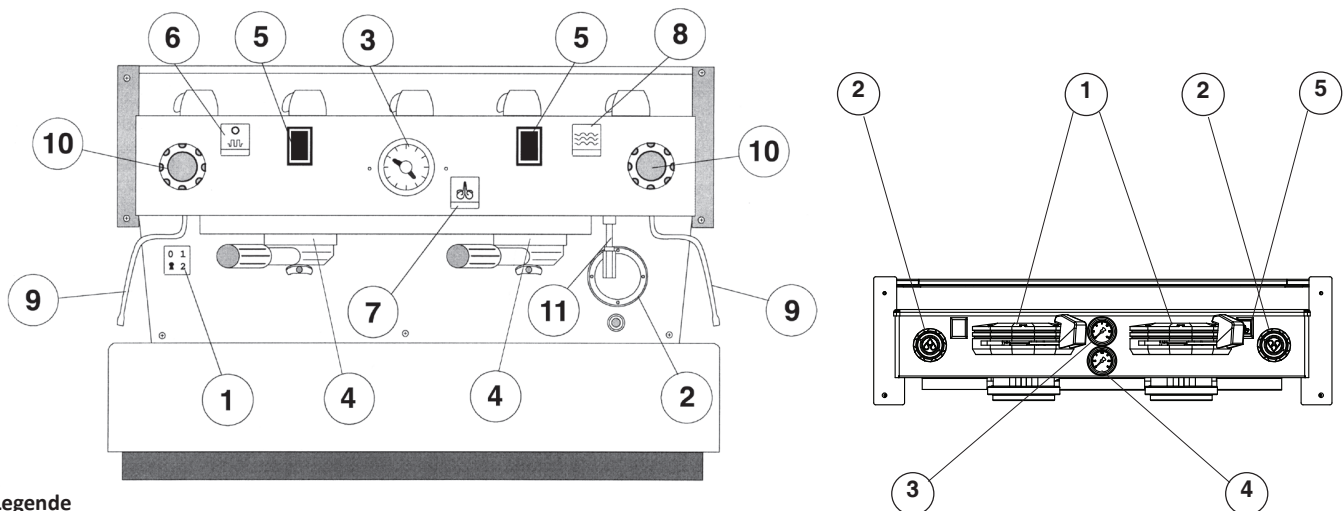
IN DER SERIE „FB70“ ÜBEREINSTIMMENDE MASSE UND GEWICHTE

FB/70	2gr	3gr	4gr
A cm/Zoll	45,5/18,5	45,5/18,5	45,5/18,5
B cm/Zoll	64/25,5	64/25,5	64/25,5
C cm/Zoll	84/33	108/42,5	135/52,25
GEWICHT kg/lb	58/128	74/163	92/203

## 2. Definition der vorhandenen Modelle

**Die vorliegende Bedienungsanleitung bezieht sich ausschließlich auf folgende Modelle unserer Produktion:**

Modell EE, Modell AV und Modell PADDLE mit 1, 2, 3 und 4 Gruppen



### Legende

- |  |                                      |                             |
|--|--------------------------------------|-----------------------------|
| 1. Hauptschalter   | 7. Ausgabeschalter für heißes Wasser | 1. Gruppenhebel             |
| 2. Schauglas des sichtbaren Wasserniveaus                | 8. Manueller Füllschalter            | 2. Dampfkebel               |
| 3. Manometer   | 9. Dampfdüse                         | 3. Druckmesser Dampfkessel  |
| 4. Gruppen des Kaffees                                   | 10. Drehknopf zur Dampfausgabe       | 4. Druckmesser Kaffeekessel |
| 5. Schaltertafel der Kaffeeausgabe                       | 11. Heißwasserdampfhahn              | 5. Manueller Füllschalter   |
| 6. Schalter zum Vorheizen der Tasse (nicht UL-Maschinen) |                                      |                             |

**Abb. 1 - MODELL EE mit 1, 2, 3 und 4 Gruppen**

**Abb. 2 - Vordertafel des PADDLE-Modells mit 1, 2, 3 und 4 Gruppen lieferbar**

### Allgemeine Beschreibung

Die Geräte Modelle AV, EE und PADDLE werden in den Versionen mit 1, 2, 3 und 4 Ausgabeventilen hergestellt und besteht im Wesentlichen aus den folgenden Teilen:

1. Kessel „Wasser“ (Dampferzeuger und Heißwasser);
2. Saturierter Kessel zur Kaffeeausgabe;
3. Gruppen;
4. Gerätegehäuse;
5. Elektropumpe;

### Beschreibung der verschiedenen Teile

#### 1. Kessel „Dampf“

Er besteht aus einer zylindrischen Gerätegehäuse, variabel in ihrer Länge, je nach Anzahl der Gruppe des Kaffees, und ist aus Inox-Stahl hergestellt, Exemplar für Exemplar im hydraulischen Test unter einem Druck von 3 Bar und gemäßem Betriebsdruck von 1,5 Bar geprüft. Der Anzahl der Ausgabeventile entsprechend kann man folgende Effektivvolumen und installierte Leistung unterscheiden:

1 Gruppe	3,5 Liter	1300 Watt
2 Gruppen	7,0 Liter	2000 Watt
3 Gruppen	11,0 Liter	3000 Watt
4 Gruppen	14,5 Liter	3800 Watt

Stärkere Heizelemente sind auf einigen Märkten für die Dampfboiler lieferbar. An den Enden der zylindrischen Gerätegehäuse sind die Zylinderdeckel angebracht, an einem von denen sich der Sitz der elektrischen Widerstände des Heizsystems und der Wasserverdampfung befindet, die das Erreichen des Betriebsdruckes in etwa 25 Minuten ermöglichen. Der Erhalt des Betriebsdruckes erfolgt durch einen Druckwächter. Auf dem Kessel sind verschiedene Anschlußstücke für die Sicherheitsausrüstung,

für die „Dienste“ von Heißwasser und für das Hauptanschlusskabel angebracht.

#### 2. Kessel „Kaffee“

Jede Einheit ist abhängig von einem hydraulischen Test bei einem Druck von 16 bar, während sie einen Arbeitsdruck von 9 bar haben. Nachfolgend erhalten Sie, entsprechend der Anzahl der eingebauten Gruppen, einen Überblick über effektive Stromleistungen:

1 Gruppe	1,8 Liter	1000 Watt
2 Gruppen	3,4 Liter	1400 Watt
3 Gruppen	5,0 Liter	1600 oder 1900 Watt
4 Gruppen	3,4 + 3,4 Liter	1400 + 1400 Watt (zwei eingebaute Kessel)

Er besteht aus einer zylindrischen Gerätegehäuse, variabel in ihrer Länge, je nach Anzahl der Gruppe des Kaffees, und ist aus Inox-Stahl hergestellt, An den Enden der zylindrischen Gerätegehäuse sind die Zylinderdeckel angebracht, an einem von denen der Sitz der elektrischen Widerstände des Wasserheizsystems angebracht ist, welches mittels eines Genauigkeits-Thermostates die Wassertemperatur mit einem Differenz von  $\pm 0,5^{\circ}\text{C}$  konstant halten. Diese Temperatur kann der optimalen Temperatur für verschiedene Kaffeemischungen angepasst werden. An dem Kessel sind die Gruppen angebracht.

#### 3. Gruppe

Sie bestehen aus Edelstahl und es werden darin die Siebträger, die den gemahlene Kaffee enthalten, befestigt; nach Drücken der Brüh Taste fließt der Espresso durch einen Ausgießer aus der Gruppe in die Tasse(n).

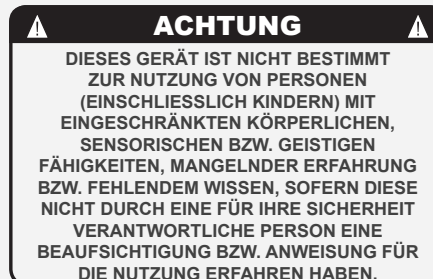
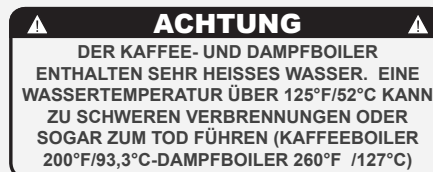
#### 4. Gerätegehäuse

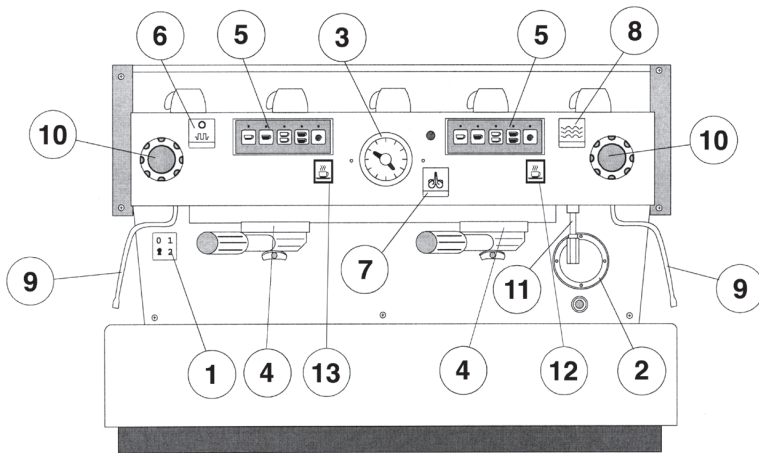
Sie besteht aus einem Blechkasten aus

gestrichenem Stahl und aus Inox-Stahl. Die Struktur ist Ergebnis besonderer Studien um die ästhetische Funktion, um die ergonomischen Ausgaben des Nutzers zu verkleinern und um die Möglichkeit der Beschädigung zu verringern.

#### 5. Elektropumpe

Die Drehschieberpumpe ist in der Leitung der Wasserzulieferung eingebaut, und dazu vorgesehen, bei jeder Betätigung der Gruppe des Kaffees in Funktion zu treten und mittels eines Elektropegels den eventuellen Wasserverbrauch des Kessels „Wasser“ wiederherzustellen





### Legende

1. Hauptschalter
2. Schauglas des sichtbaren Wasserniveaus
3. Manometer
4. Gruppe des Kaffees
5. Schaltertafel der Kaffeeausgabe(AV-Modell)
6. Knopf zum Vorheizen der Tassen (nicht-UL-Maschinen)
7. Ausgabeknopf für heißes Wasser
8. Manueller Füllschalter
9. Stahlröhrchen für Wasserdampf
10. Schalter für Dampfausgabe
11. Stahlröhrchen zur Heißwasserausgabe
12. Manueller Ausgabeschalter

### Allgemeine Beschreibung

Das Gerät Modell AV wird in den Versionen mit 1, 2, 3 und 4 Ausgabeventilen hergestellt und ist weitgehend wie das Modell EE konstruiert.

Dieses Modell unterscheidet sich darin vom Modell EE, indem es dem Benutzer die Möglichkeit bietet, je nach Belieben vier unterschiedliche Wassermengen zur Kaffeeausgabe einzuspeichern. Für jede einzelne Gruppe ist folglich eine Schaltertafel mit 5 Druckknöpfen vorgesehen, tauglich zur Auswahl, je nach Nachfrage des Kunden:

- 1 Wassermenge für einen normalen Kaffee
- 1 Wassermenge für einen „hohen“ Kaffee
- 1 Wassermenge für zwei normale Kaffee
- 1 Wassermenge für zwei „hohe“ Kaffee

Der fünfte Druckknopf wird als Programmierer der anderen Vier, wie wir im Folgenden sehen werden, und als An- und Ausschalter der beliebig langen Ausgabe verwendet.

Abb. 3 - MODELL AV mit 1, 2, 3 und 4 Gruppen



Schaltertafel der Kaffeeausgabe des Modells AV

### 3. Installation

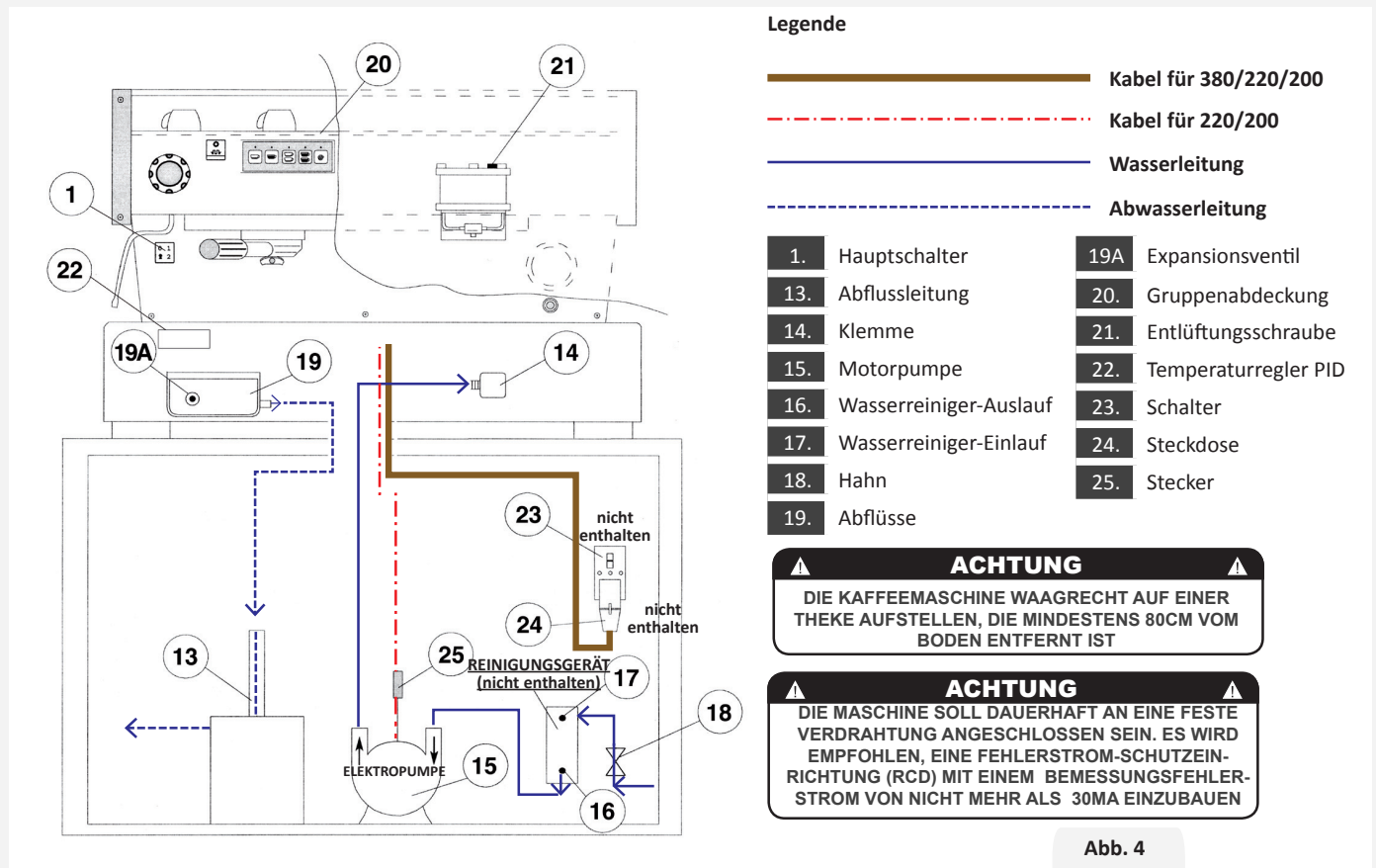


Abb. 4

## DIE MODELLE "EE", "AV" und "PADDLE" 1, 2, 3 und 4 Gruppen

### 1) Zubehörteile

Es soll kontrolliert werden, ob abgesehen vom Gerät - vervollständigt durch die dazugehörigen Gruppen - folgende Teile in der Verpackung enthalten sind:

- Filter für 1 oder 2 Kaffeemengen entsprechend der Anzahl der Gruppen des Gerätes;
- 1 Ersatzfilter für 1 Menge und 1 Ersatzfilter für 2 Mengen
- 1 Preßvorrichtung
- 1 Blindsieb
- Reiniger für die Gruppe
- 3 Schläuche aus Edelstahlgeflecht für Wasseranschluss
- 1,5 m verstärkter Plastikschlauch für das Abwasser
- 1 Schlauchschelle

**ACHTUNG**  
BEI JEDER NEUEN INSTALLATION  
MUSS DIE MASCHINE MIT EINEM NEUEN  
ROHRLEITUNGSSATZ UND ENTSPRECHENDEN  
DICHTUNGEN AUSGESTATTET WERDEN.

Um mit der Installation beginnen zu können muss Folgendes am Ort vorhanden sein:

- Trinkwasserrohre mit 3/8" G (BSP) Endanschluss; (3/8" Druck für USA und Kanada)
  - Elektrische Stromzufuhr, siehe Technische Daten in der gekauften Espressomaschine (nicht alle Spezifikationen sind in allen Märkten erhältlich):
- Ein-/Dreiphasen 220VAC - 50/60 Hz

- Elektroanschluss mit geerdetem, geschütztem Klemmenbrett und genehmigtem Leistungsschalter
- Einphasen 200VAC - 50/60 Hz elektrischer Anschluss mit geerdetem, geschütztem Klemmenbrett und genehmigtem Leistungsschalter
- Dreiphasen, 380VAC - 50/60 Hz elektrischer Anschluss mit neutral + Erdung, neben der Maschinenaufstellfläche und in einem passenden fünfpoligen Klemmenbrett, ausgestattet mit genehmigtem Leistungsschalter, endend.
- Abwasser-Entsorgungssystem

### Anmerkung:

- Die Trinkwasserhauptähne und der Verschlusschalter der Stromleitung sollen sich in einer Position befinden, an die der Barkeeper mit größter Leichtigkeit und Schnelligkeit gelangen kann.
- Die Maschine soll auf einer flachen Theke bei folgender Temperatur aufgestellt werden:  
Min. Umgebungstemperatur: 5°C/41°F  
Max. Umgebungstemperatur: 32°C/89°F
- Wurde die Maschine vorübergehend bei einer Umgebungstemperatur unter 0°C/32°F gelagert, bitte kontaktieren Sie vor dem Gebrauch einen Servicetechniker.
- Die Wasserdruckversorgung muss zwischen 2 und 6 bar liegen.

**ACHTUNG**  
GEFÄHRLICHE SPANNUNG. VOR DER  
WARTUNG VOM STROMNETZ TRENNEN

### 2) Anschluss an das Wasserversorgungsnetz

Zum Anschluss der Maschine an das Wasserversorgungsnetz, befolgen Sie die im Kapitel Maschineninstallation aufgeführten Anweisungen und beachten Sie dabei die Angaben zu den hydraulischen Sicherheitsvorschriften des jeweiligen Landes, in dem die Maschine installiert wird.

Um die korrekte und sichere Funktion der Maschine sicherzustellen und ein angebrachtes Leistungsniveau zu erhalten und somit ein hochwertiges Getränk zu gewährleisten, muss das einlaufende Wasser eine Härte von über 9°f (90ppm, 5°d) und unter 15°f (150ppm, 8,4°d), einen pH-Wert zwischen einschl. 6,5 e 8,5 und eine Menge von gelösten Chloriden von weniger als 50 mg/l aufweisen. Die Einhaltung dieser Werte ermöglicht die höchste Leistungsfähigkeit der Maschine. Sollte es nicht möglich sein diese Werte nicht einzuhalten sind spezifische Einrichtungen vorzusehen und allenfalls die im entsprechenden Land geltenden Vorschriften zum Thema Trinkwasser zu beachten.

Schliessen Sie den Anschluss des eventuellen Wasserfilters/-aufbereiters mit einem der geflochtenen Schläuche aus Edelstahl an die Trinkwasserversorgungsleitung an. Bevor Sie die Wasserpumpe an die Espressomaschine anschliessen, lassen Sie Wasser ablaufen, um eventuelle Reste zu entfernen, die sich sonst in den Sitzen und Ventilen der Wasserhähne ablagern und dadurch die korrekte Funktion beeinträchtigen könnten.

Schliessen Sie den Trinkwasserabgabeanschluss der Espressomaschine an den Wasserauslauf an und verwenden Sie dazu einen der mitgelieferten geflochtenen Schläuche aus Edelstahl. Danach schliessen Sie den Einlaufanschluss der

Wasserpumpe an den Ausgang des eventuellen Wasserfilters/-aufbereiters an.

**Anmerkung:** Stellen Sie sicher, dass während der Pumpenfunktion stets Wasser aktiviert ist, andernfalls kann Luft in den Brühboiler eindringen und die Pumpe beschädigt werden.

**3) Elektrische Anschlüsse**

**VORSICHT**  
VOR DER HERSTELLUNG DER ELEKTRISCHEN ANSCHLÜSSE, SICHERSTELLEN, DASS DIE 2 ZUGENTLASTUNGSVERBINDER FEST AM MASCHINENKÖRPER BEFESTIGT SIND, UM UNBEABSICHTIGTE BEANSPRUCHUNG AN DEN STROMKABELN ZU VERMEIDEN.

**ACHTUNG**  
DER HERSTELLER LEHNT JEDE VERANTWORTUNG AB, WENN DIE ERDUNG NICHT NACH DEN GELTENDEN LOKALEN, NATIONALEN UND INTERNATIONALEN RICHTLINIEN ERFOLGTE UND DIE ELEKTRISCHEN KABEL ODER ANDERE ELEKTRISCHE TEILE NICHT KORREKT ANGESCHLOSSEN WURDEN.

**a) Netzkabel**

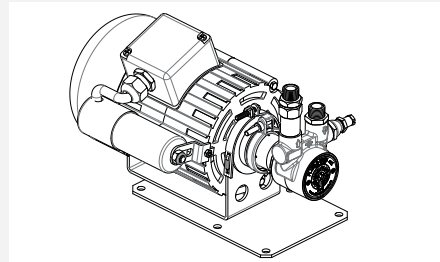
• Es handelt sich um das Hauptstromversorgungskabel, das der ganzen Espressomaschine Strom zuführt. Es gibt verschiedene Kabelarten, je nach elektrischen Anforderungen der gekauften Espressomaschine  
→ 200/220VAC 1 Phase 3-Leiter Kabel mit 2,5/4/6/10mm<sup>2</sup> Querschnitt oder AWG 12/10/8 (für UL Modell), an der Espressomaschine mit einem Zugentlastungsverbinder befestigt  
→ 220VAC 3 Phasen 4-Leiterkabel 4 mm<sup>2</sup> Querschnitt für Modelle mit 1, 2, 3 und 4 Gruppen,  
9

mit einem Zugentlastungsverbinder an der Espressomaschine befestigt

→ 380 VAC 3 Phasen 5-Leiterkabel mit 2,5/6 mm<sup>2</sup> Querschnitt für die Modelle mit 1, 2, 3 und 4 Gruppen, mit einem Zugentlastungsverbinder an der Espressomaschine befestigt.

**ACHTUNG**  
- NUR U.S.A. UND KANADA -  
NICHT AN EINEN KREIS ANSCHLIESSEN, DER MIT MEHR ALS 150 V FUNKTIONIERT, UM DIE ERDUNG AN JEDEM FUSS AUSZUFÜHREN

**ACHTUNG**  
UM BRUCH ODER LECKS ZU VERMEIDEN: POSITIONIEREN BZW. LAGERN SIE DIE KAFFEEMASCHINE NICHT AN ORTEN, AN DENEN DIE TEMPERATUR DAS WASSER IM BOILER ODER IM HYDRAULIKSYSTEM FRIEREN KÖNNTE.



**ACHTUNG**  
DIE MOTORPUMPE SOLL SICH NEBEN DER MASCHINE AN EINEM ORT BEFINDEN, DER LEICHT FÜR DIE WARTUNG, ABER NICHT FÜR UNBEABSICHTIGTE EINGRIFFE ZUGÄNGLICH IST UND IN DEM EIN OPTIMALER LUFTUMLAUF VORHANDEN IST

**b) Netzkabel für Wasserpumpenmotor**

Es handelt sich dabei um das Netzkabel für den Wasserpumpenmotor. Die interne Elektronik schaltet den Motor bei Bedarf ein.

• 3-Leiterkabel mit 1,5 mm<sup>2</sup> Querschnitt oder 3-Leiter AWG 16 (für UL Modell) mit Zugentlastungsverbinder an der Espressomaschine befestigt.

**4) Abwasseranschluss**

Mittels des verstärkten Plastikschlauches wird der Abwasseranschluß des Gerätes an die Schmutzwasserleitung des Geschäftes durchgeführt.

Imdem Falle, dass eine solche Schmutzwasserleitung nicht existieren sollte, und gemäß der lokalen Vorschriften akzeptabel ist, kann das Abwasser in dafür bestimmten Eimern aufgefangen werden, und eventuelle Verlängerungen für das Abwasser können in PVC-Schläuchen mit einem Kern aus Metallspiralen und den dafür bestimmten Schlauchschellen durchgeführt werden.

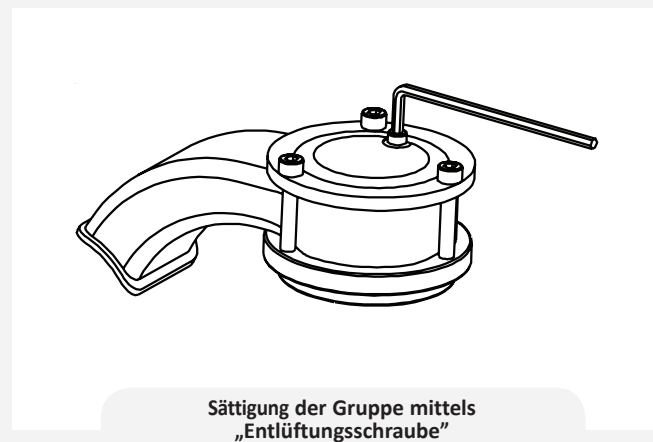
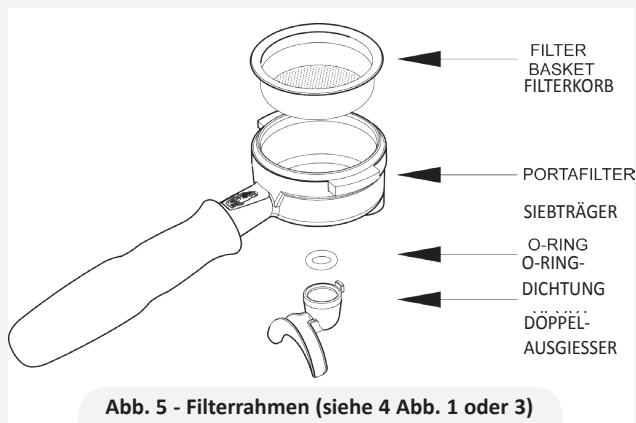
## 4. Inbetriebnahme und Kaffeezubereitung

Nach Durchführung der Installation die Filterrahmen mit den dazugehörigen Filtern (Abb. 5) von links nach rechts drehend unter die Gruppen einstecken, und das Gerät vor der Betätigung des Schalters, und somit bevor der Strom den Widerstand erreicht, wie folgend beschrieben mit Wasser versorgen:

### 1. KESSEL „KAFFEE“

Der Eingang des Wassers in den saturierten Kessel (Kaffee) erfolgt sofort nach Öffnung der Hähne der Wasserleitung und des Filterapparates. Damit beim Einlaufen des Wassers die Luft, die in dem Kessel enthalten ist, um eine vollständige „Sättigung“ zu erhalten, komprimiert wird, muß man die Abdeckebene der Gruppen (20,

Abb. 4) entfernen und ein wenig den kleinen Bolzen (21), Entlüftungsschrauben genannt, losschrauben, so dass die Luft austritt, und muß abwarten, dass aus demselben ein Tröpfchen Wasser fließt (siehe Schema unten). Das sollte für jede Gruppe wiederholt werden, danach die Entlüftungsschrauben wieder festziehen und den Deckel erneut anbringen.



## 2) KESSEL „DAMPF“

Indem man den Hauptschalter (1) in Position „1“ stellt, tritt automatisch der Selbstausgleichsapparat in Funktion, der durch seine Betätigung der Elektronenröhre und der Elektropumpe (15) die Versorgung des Kessels „Dampf“ - mittels des im Kessel eingelassenen Fühlers - bis zum prädisponierten Niveau ermöglichen wird.

### Anmerkung

Auf Grund des Einströmens von Wasser kann es vorkommen, dass in dem Kessel befindliche Luft ein Art Druck bildet (überprüfbar auf dem Manometer, 3, Abb. 1, 2 oder 3). Um dies zu beseitigen, schalten Sie die Maschine aus und lassen Sie Luft aus den Gruppen aus (siehe Anleitungen auf vorheriger Seite). Nach Beendigung dieser Handlungen den Hauptschalter (1) auf die Position „2“ stellen und abwarten, dass der Kessel die richtige Temperatur und den richtigen Druck erreicht haben (es dauert ungefähr zwischen 20 und 35 Min.), die im Folgenden automatisch konstant gehalten bleiben. In der Zwischenzeit kann es auftreten, dass der Zeiger der unteren Skala des Manometers (3, Abb. 1 oder 3; oder 4, Abb. 2) auch 11-12 Bar erreicht, was sich jedes Mal ereignen könnte, wenn bei Betätigung der Gruppen die Elektropumpe bei einem Druck von 8-9 Bar kaltes Wasser in den Kessel Kaffee einläßt, und zur gleichen Zeit das Thermostat, welches die Temperatur des selbigen Kessels steuert, den elektrischen Widerstand einfügt, um die Temperatur des sich im Kessel befindlichen Wassers zu berichtigen. Dennoch ist es in diesem Fall notwendig, das Ausdehnungsventil (19A, Abb. 4) so einzustellen, dass der Druck den Wert von 12 Bar niemals überschreitet.

### Abgabe nach der ersten Installation

Nach Beendigung der oben beschriebenen Vorgänge für die erste Installation und vor der Abgabe von Espresso, Heisswasser und Dampf befolgen Sie nachfolgende Angaben:

- Installieren Sie die Siebträger, indem Sie sie in jede Gruppe einsetzen und drehen, wie in den Betriebsanleitungen beschrieben; danach lassen Sie 2 Minuten lang Wasser aus jeder Espressogruppe ab;
- Mindestens eine Minute lang aus beiden Dampfdüsen der Maschine Dampf ablassen;
- Lassen Sie Heisswasser aus dem entsprechenden Wasserkessel solange ab bis folgende Mengen erreicht werden:
  - mindestens 1 Liter bei Maschinen mit 1 oder 2 Gruppen
  - mindestens 2 Liter bei Maschinen mit 3 Gruppen
  - mindestens 3 Liter bei Maschinen mit 4 Gruppen



Taste Kaffeeausgabe (5, Abb.1)

**VORSICHT**

NIEMALS DEN FILTERRAHMEN ABNEHMEN WÄHREND DIE DAZUGEHÖRIGE GRUPPE NOCH IN DER AUSGABEPHASE IST. EIN DERARTIGES VORGEHEN KÖNNTE ZU VERBENNUNGEN FÜHREN. EINE WASSERTEMPERATUR ÜBER 125°F / 52°C KANN SCHWERE VERBENNUNGEN ODER SOGAR DEN TOD VERURSACHEN.

### Zum Modell EE - Abb. 1

Nehmen Sie einen Siebträger und geben Sie etwas gemahlene Kaffee in das Sieb: die empfohlenen zu verwendenden Mengen (in Gramm) sind auf den Filtern mit Lasermarkierung angegeben; man preßt das Pulver mit dem dafür bestimmten Zubehör der Ausstattung, steckt von neuem den Filterrahmen unterhalb der Gruppen ein und drückt die Taste (5), um mit der Ausgabe des Getränkes zu beginnen; wenn man die gewünschte Espressomenge erhalten habt, drückt man von neuem den Schalter (5), so dass sich automatisch der Druck entlädt, der sich im Filterrahmen gebildet hat, welcher abgenommen werden kann, um gegebenenfalls den Vorgang zu wiederholen.

### Zum Modell PADDLE - Abb. 2

Nehmen Sie einen Siebträger und geben Sie etwas gemahlene Kaffee in das Sieb: die empfohlenen zu verwendenden Mengen (in Gramm) sind auf den Filtern mit Lasermarkierung angegeben. Drücken Sie auf den gemahlene Kaffee mit dem mitgelieferten Tamper und setzen Sie den Siebträger in die Gruppe ein. Bewegen Sie den Paddelgriff der Gruppe von rechts nach links (Teil 1), wodurch der Kaffee gebrüht wird; sobald die gewünschte Menge erreicht ist, bringen Sie den Paddelgriff in die Ausgangsstellung auf der rechten Seite zurück; die Maschine entleert nun den Druck, der sich im Siebträger aufgebaut hat. Er kann dann entfernt werden, um bei Bedarf einen weiteren Espresso zu bereiten. Um den Kaffee im Sieb vorzu brühen, drehen Sie den Paddelgriff nach Einsetzen des Siebträgers in die Gruppe einige Sekunden lang nur zur Hälfte von rechts nach links, danach bewegen Sie ihn ganz nach links, um Ihren Espresso solange zu brühen bis die gewünschte

Portion in die Tasse fließt, danach schalten Sie ab, indem Sie den Paddelgriff in die Ausgangsstellung auf der rechten Seite zurück bringen.

### **Zum Modell AV - Abb. 3**

Da es unerlässlich ist mit der Programmierung der ausgegebenen Wassermenge fortzufahren, sind hier die weiteren Schritte angegeben, die mit Sorgfalt und Aufmerksamkeit zu befolgen sind. Im Falle von Zweifeln oder Schwierigkeiten kontaktieren Sie die technische Abteilung.



KAFFEEBRÜH-STEUERPANEEL Teil 5 Abb. 3

### **Vorbemerkungen**

Das Dosierungssystem des Kaffees basiert auf der Zählung des Wassers, welches auf das schon in den Filterrahmen gefüllte Kaffeepulver ausgegeben werden wird. Die Berechnung erfolgt mittels eines Systems zur Kontrolle des Wasservolumens selbst, welches über dem Flansch des Gehäuses der Gruppe plaziert ist, welches mit dem Kessel verbindet. Im Inneren eines jeden Zählers ist ein Laufrad angebracht (das wir zur Veranschaulichung Flügelrädchen nennen), was mit dem Wasserdurchfluß rotiert.

Die Reihenfolge des Wasserkreislaufes ist folgende:

- Gruppens → Zähler
- Zähler → E-Ventil
- E-Ventil → Diffusorsystem
- Diffusorsystem → Ausguß der Kaffe e a u s g a b e .

Das Flügelrädchen ist derart vorbereitet, dass es frei mit dem Wasserfluß dreht und zwei Signale pro vollendeter Drehung an das elektronische Steuergehäuse sendet, welches die Signale verarbeitet und das Relais der Elektronenröhre, dazugehörig zu dem entsprechenden Gruppe, und das Relais der Ektropumpe betätigt.

Dieses Steuergehäuse verarbeitet auch das Fühlersignal des Dampfkesselstands und folglich betätigt es das Relais der dazugehörigen Elektronenröhre der selbigen Elektropumpe.

### **Vorgang zur Programmierung der Mengen** **Abb. 3**

Variante des Programmierungsablaufes für die Version 3D/5

Den Druckknopf @ für mehr als 4 Sekunden zu betätigen.



Die weiteren Schritte sind identisch mit denjenigen der Standardversion.

Nach 5 Sekunden, während derer die LEDs aufleuchten, erlöschen diese automatisch, falls kein Druckknopf betätigt wird, und der vorhergegangene Ablauf muß wiederholt werden, um sie wiederanzustellen und das Steuergehäuse in Bereitschaft zur Programmierung zu versetzen; **1.** Innerhalb von 5 Sekunden den ersten Druckknopf betätigen; diesen von neuem betätigen, wenn in der Tasse die gewünschte Kaffeemenge erreicht ist; an diesem Punkt erlöschen die LEDs und der betätigte Druckknopf bleibt entsprechend für

weitere Ausgaben programmiert;

**2.** Für die anderen drei Druckknöpfe werden die Schritte wiederholt, und jedes Mal, wenn einer der Knöpfe programmiert wird, und wenn man von neuem den Druckknopf mit der Spirale drückt, bleibt/en das/die LED/s des/ der anderen Knopfes/ Knöpfe erloschen.

**3.** sobald Sie die ersten 4 Tasten des ersten Steuerpaneels von links programmiert haben, wird das wie oben eingestellte Dosierprogramm gespeichert und die 5. Taste (mit Spirale) wird zu ihrer Funktion als kontinuierliche Kaffeezubereitung EIN/AUS Taste zurückkehren.

### **Anmerkung**

Die Programmierung der ersten Gruppe auf der linken Seite wird für alle verbleibenden Gruppen angewendet; wenn gewünscht, kann man verschiedene Mengen für die verbleibenden Gruppen eingeben, indem man die Schritte 1 bis 5 für jede der Schaltertafeln durchführt. An erster Stelle muß immer der Druckknopf auf der linken Seite programmiert werden, denn im Falle seiner Programmierung an letzter Stelle übertrüge sich seine Mengeneingabe automatisch auf die Übrigen. Es wird empfohlen, dass jede Gruppe separat programmiert wird, von links nach rechts. Jeder Knopf hat auch die Funktion des Ausschalters; daher kann man, falls es während der Ausgabe eines „hohen“ Kaffees gewünscht sein sollte, die Ausgabe in dem Moment abbrechen, wenn die Menge das gewünschte Niveau in der Tasse erreicht hat, dieses Ziel erreichen, indem man den zuvor benutzten Knopf noch einmal betätigt.

### **Unnormale Anzeichen**

In dem Falle, dass das Flügelrädchen für eine

Zeit von mehr als 3-4 Sekunden keine Signale an das Steuergehäuse sendet, beginnt das LED des betätigten Druckknopfes aufzuleuchten. Dies bedeutet, dass:

A) irgend etwas am Wassereingang beim Flügelrädchen und folglich bei der Kaffeeausgabe nicht funktioniert, was folgende Ursachen zu Grunde liegend haben könnte:

1. Zu feine Kaffeemahlung und folglich eine zu langsame Kaffeeausgabe (Tropfen für Tropfen oder jedenfalls fast), weshalb es dem Flügelrädchen unmöglich ist, den Wasserdurchfluß in der vom elektrischen Steuergehäuse festgelegten, werksbestimmten Zeit zu zählen.

2. Ungenügender Wasserfluss (auf Kaffeepulver), wahrscheinlich verursacht durch eine oder mehrere Kombinationen einer der unter angegebenen Umstände:

- teilweise Okklusion einer Leitung;
- schlechte Funktion der Elektropumpe;
- Schlecht funktionierendes E-Ventil;
- teilweise Okklusion des Diffusorfilters.

B) Kalkrückstände im Inneren des Wasserdurchlaufzählers, die das Flügelrädchen am freien Rotieren hindern.

C) Mangelnde Leistungsfähigkeit des Flügelrädchens selbst und des Kopfteils (oberer Teil) des Zählers, der unten das besagte Flügelrädchen trägt.

#### **Kaffeeausgabe**

Nehmen Sie einen Siebträger und geben Sie etwas gemahlene Kaffee in das Sieb: 1 Menge für den kleinen Filter, 2 Mengen für den größeren Filter; man preßt das Pulver mit dem dafür bestimmten Zubehör der Ausstattung, steckt von neuem den Filterträger unterhalb der Gruppen ein und drückt einen der Druckknöpfe mit dem Symbol der 1 oder

2 Tassen, normal oder „hoch“.



Um nicht in der Programmierung vorgesehene Verringerungen der Ausgabe vorzunehmen, kann man den anfangs betätigten Knopf von neuem drücken. Im Falle anderer gewünschter Mengen kann man den Druckknopf mit dem Symbol @ der betätigen und diesen auch von neuem drücken, wenn die gewollte Menge erreicht worden ist.



Am Ende der automatischen Ausgabe wird der Druck abgelassen, der Filtereinsatz kann dann entfernt werden, um den Vorgang bei Bedarf zu wiederholen.

### **ALLGEMEINE HINWEISE ZUR ZUBEREITUNG DES KAFFEES**

Wenn das Gerät den Betriebsdruck von 1,2 - 1,5 Bar, ablesbar auf der oberen Skala des Manometers (3, Abb. 1, 2 oder 3) und zur gleichen Zeit die richtige Temperatur erreicht hat, während sich das Gehäuse der Gruppen schon auf der Infusionstemperatur befindet, müssen der Filterrahmen und der Filter, die im unteren Teil der selbigen Gruppen und wegen der Gummidichtung ein wenig isoliert von demselben positioniert sind, zusätzlich erhitzt werden, wozu man der Paddel (2, Abb. 1) oder die Schalter (5, Abb. 1 oder 3) betätigen und für ca.45 Sekunden in Ausgabestellung halten muß, und anschließend den selben Schalter ausstellen und 2-3 Minuten abwarten muß.

In der Zwischenzeit kann es auftreten, dass der Zeiger der unteren Skala des Manometers (3, Abb. 1 oder 3; oder 2, Abb. 4) auch die 11-12 Bar erreicht, was sich jedes Mal ereignen könnte, wenn bei Betätigung der Aggregate die Elektropumpe bei einem Druck von 8-9 Bar kaltes Wasser in den Kessel Kaffee einläßt, und zur gleichen Zeit das Thermostat, welches die Temperatur des selbigen Kessels steuert, den elektrischen Widerstand einfügt, um die Temperatur des sich im Kessel befindlichen Wassers zu berichtigen. Dennoch ist es in diesem Falle notwendig, das Ausdehnungsventil (19 A, Abb. 4) so einzustellen, dass der Druck den Wert von 12 Bar niemals überschreitet.

Um einen guten Kaffee zu erhalten, ist -abgesehen von der Art der Mischung - der Mahlgrad des Kaffees von Wichtigkeit. Den idealen Mahlgrad findet man praktisch nur, indem man einige Kaffee mit der vorgeschlagenen Grammzahl für eine Tasse (minimal 7 gr.) zuzubereiten probiert.

Der geeignetste Mahlgrad ist derjenige, der eine gleichmäßige Ausgabe der Getränke aus dem Ausguß des Filterrahmens ermöglicht: weder zu langsam noch zu schnell.

### **WICHTIG**

Die Temperatur des Wassers im Kessel „Kaffee“, und demnach auch die der Gruppen, kann eventuell mittels des dafür vorgesehenen Thermostates (22, Abb. 4) erhöht oder verringert werden - für weitere Details, siehe folgendes Kapitel. Die definitive Abstimmung sollte während dem Tuning- up, nachdem die Maschine dauerhaft installiert ist, vorgenommen werden. Der Wasserdruck auf den Kaffee ist sehr wichtig während des Brühvorganges. Aus diesem Grunde ist es wichtig, den Bypass auf der Pumpe auf 9 bar einzustellen. Dieser Wert ändert sich, wenn Unterschiede beim eingehenden Druck vom örtlichen Wasserversorgungssystem auftreten. Sollten solche Änderungen auftreten, machen Sie die notwendigen Einstellungen in Ihrem System, um sie zu eliminieren.

## 5. Temperaturregler PID

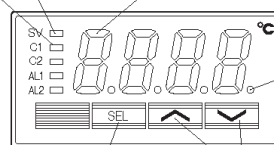
### Beschreibung

#### Beschreibung des Displays auf der Vorderseite:

N.B.  
In Maschinen mit 1,2,3 Gruppen ist der PID Controller auf der linken Seite installiert. In Maschinen mit 4 Gruppen befindet er sich auf der rechten und linken Seite.

Kontrollleuchte Kaffeebrühelement ①

⑥ Leuchte für EW2 Display



⑤ Leuchte für Auto-Abstimmung/  
Selbstabstimmung

\*\*\*

PW: Prozesswert: gemessene Temp.

EW: Einstellwert: eingestellte Temp.

③ SEL Taste

④ ↑ ↓ Tasten

siehe auch Abb. 4 - Teil 20.

#### Kontrollleuchte Kaffeebrühelement 1

Leuchtet bei Steuerung Ausgang 1 ON auf.  
z.B. Heizelement ist eingeschaltet

#### 2) Display

Zeigt den PW (Prozesswert) oder EW (Einstellwert) an. Bei Einstellung eines Parameters wird sein Name oder sein Wert angezeigt.

#### 3) SEL Taste

Wird zum Umschalten der PW Anzeige zu/von der EW Anzeige und zur Wahl eines Parametersatzes und eines Parameters sowie zur Erfassung eines eingestellten Werts verwendet.

#### 4) ↑ ↓ Tasten

Wird zum Ändern des EW, zum Abruf von Parametern und zur Änderung von Parameterwerten verwendet.

#### 5) Leuchte für Auto-Abstimmung/Selbstabstimmung

Flimmert bei einem Schritt für Auto-Abstimmung oder Selbstabstimmung.

siehe detaillierte Informationen in der Anleitung \* (siehe Seite 16)

#### 6) Leuchte für EW (Einstellwert)

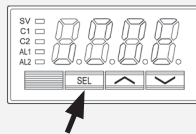
Zeigt unter Normalbedingungen den PW (Prozesswert) an (wenn die Leuchte aufleuchtet). Die SEL Taste drücken, damit die EW Leuchte aufleuchtet und den EW anzeigt. Bedenken Sie, dass die Leuchte nicht aufleuchtet, wenn Parameter und Daten angezeigt werden.

Flimmert, wenn das Display den PW (Prozesswert) im Bereitschaftszustand anzeigt.

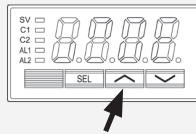
## Grundschritte

### Einstellung und Veranschaulichung der Werte:

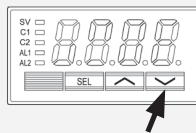
Drücken Sie die SEL-Taste, um den Wert zu veranschaulichen



Einmal drücken, um den Wert um 1 zu erhöhen.  
Drücken Sie diese Taste und halten Sie sie gedrückt, um den gewünschten Wert zu erhöhen, danach warten Sie einige Sekunden, um automatisch die Programmierfunktion zu verlassen.



Einmal drücken, um den Wert um 1 zu mindern.  
Drücken Sie diese Taste und halten Sie sie gedrückt, um den gewünschten Wert zu mindern, danach warten Sie einige Sekunden, um automatisch die Programmierfunktion zu verlassen.



\* Für weitere detaillierte Informationen über das Leistungsvermögen dieses Geräts sehen Sie bitte Folgendes ein: **PXR3\_Fuji\_Micro\_controller\_Manual.pdf**

Für zusätzliche Unterstützung können Sie sich an die Nachverkaufsabteilung der Fa. La Marzocco wenden,

enrico@lamarzocco.com  
ettore@lamarzocco.com

## 6. Dampf- und Heißwasserausgabe

### MICHZUBEREITUNG

Vor JEDER Dampfverwendung öffnen Sie die Dampfdüse, um sicherzustellen, dass das Kondenswasser, das sich eventuell in der Düse gebildet hat, abgelassen wird. Danach gehen Sie wie in der Betriebsanleitung beschrieben, vor.

Der Dampf überträgt Hitze in die Flüssigkeit und erhöht die Temperatur bis zum Siedepunkt.

Achten Sie darauf, dass die Flüssigkeit nicht überläuft, um schwere Verbrennungen zu vermeiden.

Zur Zubereitung von Milch für Cappuccino mit der richtigen Schaummenge, befolgen Sie die nachfolgende Phasen:

- Stellen Sie den bis zur Hälfte mit Milch gefüllten Behälter unter die Dampfdüse
- Öffnen Sie sofort den Hahn und bringen Sie die Milch auf die gewünschte Temperatur
- Sie können diese Milch dann in eine Tasse mit warmem Espresso gießen und somit einen köstlichen Cappuccino bereiten

Um zu vermeiden, dass Teil der zu erwärmenden Flüssigkeit zurück in den Boiler gesaugt wird (aufgrund von eventuellem Druckabfall im Boilerkessel), wodurch sowohl der Dampf als auch die aus der Düse Teil 9 bzw. der Düse Teil 11 austretende Flüssigkeit einen schlechten Geruch haben würden, empfehlen wir, die Maschine ein bis zweimal einige Sekunden lang zu „entdampfen“, indem man den Hahn (Teil 10) schnell öffnet und schließt, ohne dass sich die Düse (Teil 9) in der Flüssigkeit befindet.

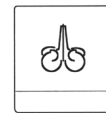
dabei vorsichtig vorgehen, um durch den Dampf verursachte Verbrennungen zu vermeiden.

Nachdem Sie den Dampf wand in die zu schäumende Flüssigkeit eingetaucht haben, öffnen Sie sofort den Dampfahh. Sobald die Flüssigkeit heiß ist, wie folgt vorgehen:

- den Dampfdruck erniedrigen
- die Kanne entfernen
- den Dampfahh schließen

### HEISSWASSER AUSGABE

Mit der festen Düse (Abb. 1 oder 3) zwischen der Gruppe ganz links und der Dampfdüse (Teil 9, Abb. 1 oder 3) können Sie durch Drücken der Taste (Teil 7, Abb. 1 oder 3), die die Heißwasserausgabe steuert, heißes Wasser erhalten.



## 7. Wartung und regelmäßige periodische Reinigung

### ACHTUNG

DIE MASCHINE MUSS SO INSTALLIERT WERDEN, DASS SIE FÜR QUALIFIZIERTE TECHNIKER FÜR EVENTUELLE WARTUNGSEINGRIFFE LEICHT ZUGÄNGLICH IST.

### VORSICHT

DIE MASCHINE ZUR REINIGUNG NICHT IN WASSER TAUCHEN BZW. MIT WASSER BESPRITZEN. FÜR DIE REINIGUNGSVORGÄNGE DIE NACHFOLGEND AUFGEFÜHRTE ANLEITUNGEN AUFMERKSAM LESEN.

#### Reinigung der Gruppen und Abflüsse

Setzen Sie das Blindsieb in den Siebträger ein und geben Sie die passende Menge von Espressomaschinen-Reinigungsmittel (siehe Herstelleranleitungen) in das Sieb und befestigen Sie den Siebträger in der Gruppe, die Sie reinigen möchten.

- Drücken Sie die Brühltaste für die genannten Gruppen, als wenn Sie eine normale Tasse Kaffee zubereiten würden. Drehen Sie das Wasser nach ca. 15-20 Sekunden zu.
- Starten und stoppen Sie die Gruppe mehrmals, bis Sie sehen, dass klares Wasser anstatt Seifenwasser ausläuft, wenn Sie den Siebträger entfernen. **Entfernen Sie nicht den Siebträger, wenn die Gruppe Wasser erhitzt.**
- Spülen Sie die Gruppe mit einem normalen Sieb im Siebträger, indem Sie mehrmals heißes Wasser durchlaufen lassen.

### VORSICHT

NIE MALS DEN FILTERRAHMEN ENTFERNEN, WENN SICH DIESER IN AUSGABEPHASE BEFINDET. EINE SOLCHE HANDLUNG IST INSO FERN SEHR GEFÄHRLICH, ALS DASS DER DRUCK, DER SICH IN DEM BLINDEN FILTER BILDET HEFTIGE UND LEICHT KAUSTISCHE HEISSWASSERSPRITZER VERURSACHEN KANN, WELCHE ZU SCHWEREN VERBENNUNGEN FÜHREN KÖNNEN. DER KAFFEEBOILER ENTHÄLT SEHR HEISSES WASSER. EINE WASSERTEMPERATUR ÜBER 125°F / 52°C KANN SCHWERE VERBENNUNGEN ODER SOGAR DEN TOD VERURSACHEN.

#### Reinigung der Siebe und Siebträger

Bei täglicher Reinigung der rostfreien Siebe und Siebträger genügt es, wenn Sie diese mit Wasser und einem Tuch oder einer passenden Bürste reinigen. Wenn Sie ein Espressomaschinen-Reinigungsmittel verwenden, dann beachten Sie die Produkthanleitungen, geben Sie die richtige Menge in ca. 1/2 Liter Wasser in einen hitzebeständigen Behälter und heizen Sie auf.

- Wenn Sie Siebträger aus rostfreiem Stahl mit Clip-on Ausläufen verwenden, dann entfernen Sie den Auslauf. Legen Sie die Siebe und die Metallteile der Siebträger (ausgenommen Griffe) in die heiße Lösung ein und lassen Sie sie ca. 30 Minuten eingetaucht.
- Spülen Sie die Gruppe sorgfältig mit reinem Wasser und lassen Sie bei eingesetztem Sieb und Siebträger mehrmals heißes Wasser durch die Gruppe laufen.

- Bereiten Sie eine Tasse Kaffee, um jeglichen unangenehmen Geschmack zu entfernen.

#### Reinigung der Abwasserfangschale

Jeden Abend nach Ausschankschluss den Rost, auf dem die Tassen abgestellt werden, entfernen, die Abwasserfangschale herausnehmen und dessen Reinigung vornehmen.

Mindestens zweimal wöchentlich auch das Abwasserbecken (19) kontrollieren und reinigen und eventuelle schlammige Rückstände mit Hilfe eines Löffels entfernen.

#### Reinigung der Gerätegehäuse

Gebrauchen eines weichen Tuches, unter fließenden Bewegungen in Richtung eventuellen Satinierens der Oberfläche des Inox-Stahls. Auf keinen Fall Alkohol auf den beschrifteten oder gestrichenen Teilen verwenden, um Beschädigungen zu vermeiden.

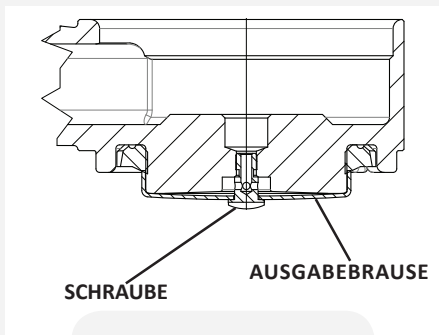
#### Reinigung der Dampfahndüse und des Heißwasserdampfhahnes

Die Stahlröhrchen zur Wasserdampfausgabe müssen umgehend nach dem Gebrauch mit einem feuchten Tuch und mit einem sehr kurzen Betätigen des Dampfaustrittes gesäubert werden, wodurch die Formung von Verkrustungen innerhalb und außerhalb der Düsen vermieden werden, die den Geschmack der anderen Getränke während des Erhitzens beeinflussen könnten.

#### Reinigung der Ausgabebrause (Infusion-Filtergewebe)

Auf Grund der Durchführung des Entfernens des Filterrahmens (nach der Kaffeeausgabe) kann es

vorkommen, dass kleine Kaffeepulverrückstände nach und nach zu einer Verstopfung, vielleicht nur teilweise, des Infusion-Filtergewebes führen. Zur Reinigung zuerst durch Lösen der Befestigungsschraube entfernen, dann in Reinigungspulver waschen.



**Elektropumpe**

Sie ist Typ Verdrängerpumpe, fähig einen Druck von 14 Bar zu entwickeln. Der Betriebsdruck, schon in unseren Werkstätten in der Probephase geeicht, liegt bei 8-9 Bar; dennoch kann dieser von Ort zu Ort unterschiedlich sein, da der Pumpendruck vom Druck des einlaufenden Wassers beeinflusst wird. Sie müssen stets den Druck auf der unteren Skala des Manometers (3, Abb. 1 oder 3; 4, Abb. 2) kontrollieren, in dem man sich einen Kaffee bereitet, und kann ihn, falls nötig, erhöhen, indem man die Schraube der Ausweicheitung (im unteren Teil des seitlich an der Flanke angebrachten

Deckels, wo die Speisung der Pumpe verbunden ist) im Uhrzeigersinn dreht, und absenken, indem man die Schraube im entgegengesetzten Sinn dreht; die Regulierung muß mit mindestens einer Gruppe in Ausgabephase durchgeführt werden.

**WICHTIG**

Die Elektropumpe mittels des Druckknopfes (8, Abb. 1 oder 3) betätigend speist sich direkt auch der Kessel Kaffee.

Wenn das Gerät kalt ist und man die Elektropumpe aktiviert, entwickelt sich e in Kaltdruck von 8-9 Bar, weshalb in dem Moment, in dem die Widerstände einsetzen und das Wasser sich erwärmt, die höhere Temperatur eine Ausdehnung des Wassers bewirkt, was zu einer Erhöhung des gegenwärtigen Kaltdruckes um ca. 3 Bar und zu einem totalen Druck von 11 Bar führt; an diesem Punkt angelangt, muß das Ausdehnungsventil (Sicherheitsventil) (19A) in Funktion treten, welches, indem es einige Tropfen Wasser austreten läßt, ermöglicht, dass der Druck die 12 Bar nicht überschreitet. Im Falle, dass der Druck die 12 Bar überschreitet, ist es notwendig eine Regulierung des Ventils vorzunehmen, indem man die Verschlusskappe leicht aufdreht. In dem Falle, in dem diese Handlung nicht ausreichend sei, muß man das Ventil abmontieren und von wahrscheinlichen Kalkverkrustungen befreien. Das gleiche geschieht, wenn das Ventil geöffnet für den Austritt bleiben sollte und folglich nicht zulassen würde, dass der Druck ca. 8 Bar erreichte.



Wenn die Maschine länger als 8 Stunden nicht benützt wird und auf alle Fälle wenn sie längere Zeit stillsteht, müssen vor den Abgaben Reinigungszyklen unter Einhaltung der nachfolgenden Angaben, ausgeführt werden, um die maximale Funktionstüchtigkeit der Maschine zu nutzen:

- Gruppen: Installieren Sie die Siebträger, indem Sie sie wie oben beschrieben in die jeweilige Gruppe einsetzen und drehen, und lassen Sie danach 2 Minuten lang Wasser aus jeder Espresso-Gruppe ab;
  - Dampf: Lassen Sie mindestens eine Minute lang Dampf aus beiden Dampfdufen der Maschine ab;
  - Heisswasser: Lassen Sie heisses Wasser aus dem entsprechenden Wasserkessel solange ab bis folgende Mengen erreicht werden:
    - mindestens 1 Liter bei Maschinen mit 1 oder 2 Gruppen
    - mindestens 2 Liter bei Maschinen mit 3 Gruppen
    - mindestens 3 Liter bei Maschinen mit 4 Gruppen
- Wenn die Maschine für längere Zeit nicht benutzt wird sollen folgende Sicherheitshinweise befolgt werden:
- Die Maschine von der Wasserversorgungsleitung trennen oder auf jeden Fall die Wasserversorgung unterbrechen;
  - die Maschine vom Stromnetz trennen.

**▲ ACHTUNG ▲**

WENN DIE OBEN AUFGEFÜHRTE ANWEISUNGEN NICHT BEFOLGT WERDEN, LEHNT DER HERSTELLER JEGLICHE VERANTWORTUNG FÜR PERSONEN- UND/ ODER SACHSCHÄDEN AB.

## 8. Außerbetriebnahme und Abbau

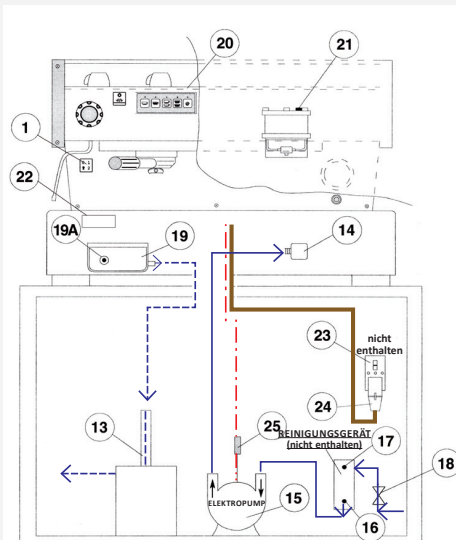


Abb. 3 (siehe auch S. 7.)

Aus Vorsichtsgründen den Hauptschalter (Detail 1) auf die Position „0“ stellen

### **Abtrennung der Elektroversorgung**

In dem Falle der Verbindung mittels Stecker (24) soll man sich versichern, dass der Schalter (23) vor dem Ausstecken ausgestellt ist. Die Verbindung mit dem Kabel der Elektropumpe (15) durch Handhabung des dafür eingerichteten Bolzens (25) unterbrechen.

### **Abtrennen der Wasserleitung**

Die Wasserversorgung mit dem dazu bestimmten, vor dem Reinigungsgerät liegenden Hahn schließen. Die Wasserrohre am Eingang des Reinigungsgerätes (17), nach dem Absperrhahn (18) gelegen (vorsichtshalber geschlossen) abtrennen.

Mit dem Abbau der Abwasserleitungen (19, Abb. 1) fortfahren.

An dieser Stelle kann die Maschine von der Bar entfernt werden, dabei ist grösste Vorsicht walten zu lassen, um zu vermeiden, dass sie auf den Boden fällt.

Das Gerät ist aus verschiedenen Materialien hergestellt, weshalb es bei einem nicht vorgesehenem Wieder-Gebrauch zu einem Schrottplatz gebracht werden soll, der, indem er die Materialien für eine eventuelle Wiederverwertung trennt, für die Zerlegung sorgt oder zur Müllverbrennung gegeben werden soll.

Es ist durch die geltenden Normen verboten, das Gerät auf öffentlichem Grund und Boden oder auf jedwedem Besitz Dritter abzulagern.

### **Recyclinghinweis**

#### **Umweltschutzhinweis**

Alte Elektrogeräte nicht über den Hausmüll entsorgen.

Bitte leisten Sie Ihren Beitrag zum Umweltschutz und zur Schonung der Ressourcen.

Geben Sie dieses Gerät bei den örtlichen Sammelstellen ab



DE

## 9. Programmierte wartungs- und kontrollvorgänge

Diese Vorgänge ergänzen die in Kapitel 7 aufgeführten Vorgänge für Wartung und Periodische Reinigung.

Die folgenden Wartungs- und Kontrollvorgänge sind regelmäßig durch qualifizierte Fachtechniker durchzuführen.

**N.B. Diese periodischen Wartungseingriffe sind nicht durch die Garantie abgedeckt.**

### ALLE DREI MONATE

- Gruppendichtungen auswechseln
- Diffusor-Siebe auswechseln
- Automatische Füllsonde reinigen
- Vakuumbrecher auf einwandfreien Betrieb prüfen
- Wasser-Einlassventil kontrollieren
- Abflusssystem auf Lecks bzw. Verstopfungen prüfen
- Durchflussgeschwindigkeit jeder Gruppe kontrollieren
- Brühtemperatur kontrollieren
- Sicherstellen, dass die Brühtemperatur bei 9bar liegt
- Die einwandfreie Funktion aller Schalter kontrollieren
- Die Wasserhärte feststellen/kontrollieren (Die Wasserqualität muss sich innerhalb des Bereichs der im Kapitel Installation aufgeführten Werte befinden sonst verliert die Garantie ihre Gültigkeit.)

### Bei AV-Modell:

- Dosiervolumen kontrollieren
- Das Ohm-Ventil des Durchflussmessers prüfen (Ohm-Ventile sind akzeptable wenn sie größer als 1.8 K Ohm und kleiner als 2.2 K Ohm sind)

### Bei MP-Modell:

- MP-Ventil erneuern

### ALLE SECHS MONATE

- Die Dampfeinheiten erneuern

### JÄHRLICH

- Siebträgerdichtungen auswechseln
- Gruppenventilstößel kontrollieren
- Vakuumbrecher kontrollieren
- Dampfboiler-Druckregler kontrollieren
- Schutz kontrollieren
- Überdruckventil kontrollieren



# linea & fb70

Guía sobre el Funcionamiento V1.1 - 11/2014



**la marzocco**

handmade in florence

## Capítulos

1. Advertencias Generales y Normas de Seguridad	pàg. 2
2. Definición de los Modelos Tratados	pàg. 4
3. Instalación	pàg. 7
4. Puesta en Funcionamiento y Preparación del Café	pàg. 11
5. Controlador de Temperatura PID	pàg. 16
6. Erogación de Vapor y Agua Caliente	pàg. 18
7. Manutención y Limpieza Periódica	pàg. 19
8. Conclusión del Servicio y Demolición	pàg. 21
9. Operaciones Programadas de Manutención y de Control	pàg. 22

La Marzocco S.r.l.

Via La Torre 14/H  
Località La Torre  
50038 Scarperia e San Piero  
(Firenze) - ITALIA

[www.lamarzocco.com](http://www.lamarzocco.com)  
[info@lamarzocco.com](mailto:info@lamarzocco.com)

T: +39 055 849 191  
F: +39 055 849 1990

ES

certificaciones disponibles:



## 1. Advertencias generales y normas de seguridad

**⚠ ATENCIÓN ⚠**  
ESTA MÁQUINA ES SÓLO PARA USO PROFESIONAL Y DEBE INSTALARSE EN LUGARES DONDE SU USO Y MANUTENCIÓN ESTÁN RESTRINGIDOS A PERSONAL CAPACITADO. ESTÁ PROHIBIDO DEJAR QUE LOS NIÑOS USEN O JUEGUEN CON LA MÁQUINA.

**1)** El presente manual de uso constituye parte integrante y esencial del producto y será entregado al usuario. El usuario deberá leer atentamente las advertencias contenidas en este, ya que ofrecen la información necesaria concerniente a la seguridad en la instalación, en el uso y en la manutención.

El presente manual deberá conservarse con cuidado, tendrá que estar siempre a disposición del usuario para posteriores consultas y deberá ser entregado a un nuevo usuario en caso de que el producto cambie de propietario.

**2)** Controle la integridad del producto desde el momento de embalaje, asegurándose de que el paquete no presente señales de golpes que podrían haber causado daños en el contenido.

**3)** Controle la integridad de la máquina después de haber quitado con cuidado el embalaje. En caso de duda no siga adelante y póngase en contacto inmediatamente con el concesionario o el vendedor, que facilitará la visita de personal especializado y autorizado que intervendrán con el fin de arreglar la máquina.

**4)** Los elementos del embalaje (cajas, bolsas,

poliestirol, etc.) no los debe dejar al alcance de los niños, ya que pueden ser peligrosos, ni abandonarlos en el ambiente.

**5)** Asegúrese de que los datos de la tarjeta correspondan con los de la red eléctrica instalada en el local donde se utilizará la máquina.

La instalación debe ser efectuada cumpliendo las normas vigentes, según las instrucciones del constructor y realizada por personal cualificado y autorizado. Esta máquina no se debe instalar en cocinas.

Una instalación no correcta puede ser la causa de daños a personas, animales o cosas, de los que el constructor no será responsable.

La garantía del funcionamiento eléctrico de este producto se obtiene solamente cuando la conexión a la red eléctrica se realiza según las normas vigentes de seguridad y, en modo particular, prestando atención a la eficacia en la instalación de la toma de tierra. Resulta necesario que verifique esta última, dado que es un requisito imprescindible de seguridad. En caso de duda solicite un control cuidadoso por parte de personal cualificado.

Además deberá controlar que la resistencia de la instalación eléctrica sea apta a la potencia máxima absorbida indicada en la placa; pero, sobre todo, que la sección de los cables sea idónea.

Se desaconseja la utilización de adaptadores, enchufes múltiples y/o alargadores. En caso de que no se pueda evitar su utilización,

resulta necesario el uso exclusivo de enchufes, adaptadores y alargadores que cumplan las normas vigentes de seguridad, teniendo cuidado de no superar los límites de resistencia y potencia que aparecen en el adaptador o alargador.

**6)** Este producto debe utilizarse únicamente para el uso al que ha sido expresamente proyectado y realizado. Cualquier otra utilización se considera impropia y peligrosa.

El constructor no puede ser considerado responsable de eventuales daños causados por usos erróneos e irracionales.

La instalación de este equipo debe guardar conformidad con todos los códigos aplicables federales, estatales o locales de instalación de tuberías.

**7)** El empleo de cualquier aparato eléctrico comporta la consideración de algunas reglas de comportamiento fundamentales.

En modo particular:

- no tocar el aparato con las manos y los pies mojados o húmedos;
- no usar el aparato con los pies descalzos;
- no utilizar alargadores en habitaciones destinadas a baño o ducha;
- no tirar del cable de alimentación para desenchufar el aparato de la red eléctrica;
- no dejar el aparato expuesto a agentes atmosféricos (lluvia, sol, etc...).
- no permitir que el aparato lo usen niños o discapacitados.
- no limpiar el panel de mandos con paños

mojados, ya que no es resistente por lo que se refiere al agua.

8) Antes de llevar a cabo cualquier proceso de manutención y/o limpieza, ponga en posición "0" el interruptor general situado en la máquina y desconecte el aparato de la red de alimentación eléctrica quitando el enchufe o apagando el interruptor de la instalación. Para realizar las operaciones de limpieza, límitese a cuanto se indica en el manual.

9) En caso de funcionamiento defectuoso o averías del aparato, retírelo de la red eléctrica (como se ha descrito en el punto anterior) y cierre el grifo de suministro de agua. Renuncie a cualquier tentativo de reparación y diríjase al personal cualificado profesionalmente y autorizado. La reparación del producto se efectuará solamente por parte de la casa constructora o por un centro autorizado que utilice exclusivamente recambios originales. La desobediencia de las normas indicadas más arriba pueden poner en peligro la seguridad del aparato y de este modo hace que no tenga vigor la garantía.

10) En el momento de la instalación es necesario utilizar un interruptor omnipolar como preveen las normas de seguridad vigentes, provisto de fusibles adecuados para soportar la potencia de la máquina a conectar.

11) Para evitar recalentamientos peligrosos, se recomienda desenrollar todo el cable de alimentación.

12) No obstruya las rejillas de aspiración o de disipación y, de manera especial, no cubra con trapos o cualquier otra cosa la bandeja para calentar las tazas.

13) El cable de alimentación de este aparato no debe ser sustituido por el usuario, como se indica también en la tarjeta situada cerca de la salida del cable en la cubierta. En caso de deterioro del cable, apague el aparato (como se ha descrito en el punto precedente número 8) y cierre el suministro del agua. Para sustituirlo, diríjase solamente al personal profesionalmente cualificado.

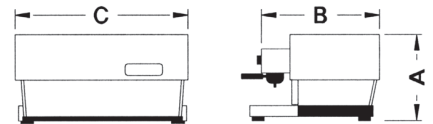
**ATENCIÓN**

COMO YA SE HA INDICADO EN LAS NOTAS PRECEDENTES, EL CONSTRUCTOR NO PUEDE SER CONSIDERADO RESPONSABLE DE LOS DAÑOS A COSAS, ANIMALES Y/O PERSONAS, CUANDO EL PRODUCTO NO HA SIDO INSTALADO SEGÚN LAS INDICACIONES CONTENIDAS EN EL PRESENTE MANUAL, CUANDO NO SEA UTILIZADO PARA CUMPLIR SUS FUNCIONES, COMO LA EROGACIÓN DE CAFÉ O BEBIDAS CALIENTES.

**ATENCIÓN**

ESTA MÁQUINA NO ES APTA PARA USO EN EXTERIORES. NO USAR CHORROS DE AGUA PARA LIMPIAR LA MÁQUINA NI COLOCARLA DONDE SE USAN CHORROS DE AGUA.

Todo lo que se indica en este manual operativo también es válido para la serie "FB/70". Las únicas diferencias son las dimensiones externas de la máquina.



**MEDIDAS Y PESOS COMUNES A LA SERIE LINEA**

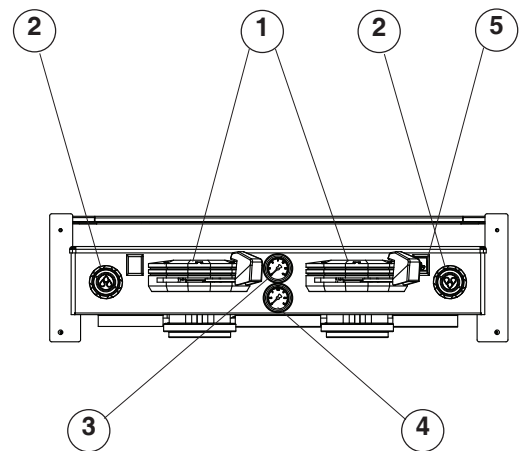
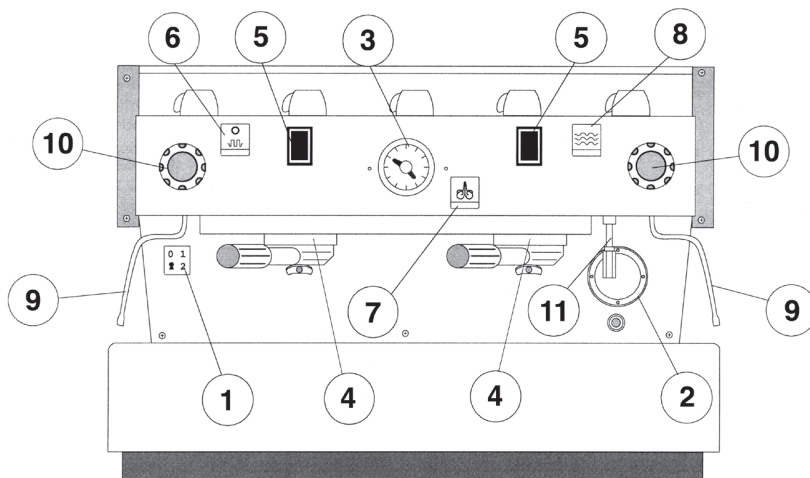
LINEA	1 gr	2gr	3gr	4gr
A cm/pulgada	45,5/18	45,5/18	45,5/18	45,5/18
B cm/pulgada	56/22	56/22	56/22	56/22
C cm/pulgada	49/20	69/28	93/37	117/46
PESO kg/libra	44/97	58/128	74/163	92/203

**MEDIDAS Y PESOS COMUNES A LA SERIE FB/70**

FB/70	2gr	3gr	4gr
A cm/pulgada	45,5/18,5	45,5/18,5	45,5/18,5
B cm/pulgada	64/25,5	64/25,5	64/25,5
C cm/pulgada	84/33	108/42,5	135/52,25
PESO kg/libra	58/128	74/163	92/203

## 2. Definición de los modelos tratados

**El presente manual de uso se refiere exclusivamente a los siguientes modelos de nuestra construcción:**  
Mod. EE, Mod. AV y Mod. PADDLE a 1, 2, 3 y 4 erogatorios



### Leyenda

- |   |   |    |  |   |                                  |
|---|---|----|--|---|----------------------------------|
| 1 | Interruptor general                                 | 7  | Interruptor para la erogación de agua caliente | 1 | Palanca de grupo                 |
| 2 | Ventanilla del nivel de agua                        | 8  | Interruptor llenado manual                     | 2 | Llave para erogación del vapor   |
| 3 | Manómetro   | 9  | Suministrador de vapor                         | 3 | Medidor de presión caldera vapor |
| 4 | Grupos de erogación de café                         | 10 | Llave para la erogación de vapor               | 4 | Medidor de presión caldera café  |
| 5 | Pulsadores para la erogación de café                | 11 | Suministro de agua caliente                    | 5 | Interruptor llenado manual       |
| 6 | Interruptor para el calienta-tazas (máquinas no UL) |    |  |   |                                  |

fig. 1 - MODELO EE a 1, 2, 3 y 4 grupos erogatorios

fig. 2 - Panel frontal del modelo PADDLE disponible con los grupos 1, 2, 3 y 4

**Descripción general**

Las máquinas modelos AV, EE y PADDLE se construyen en diferentes versiones con 1, 2, 3 y 4 erogatorios y constan fundamentalmente de las siguientes partes:

1. Caldera de agua (generadora de vapor y de agua caliente );
2. Caldera para erogación de café;
3. Grupos erogatorios;
4. Cubierta;
5. Bomba eléctrica;

**Descripción de cada parte**

**1. Caldera de vapor**

Esta construida con una cubierta cilíndrica de longitud variable dependiendo del número de grupos erogatorios de café. Se construyen con acero inoxidable, que ha sido puesto a prueba hidráulica para verificar su fiabilidad con resultados satisfactorios a una presión de 3 Bar, resultando óptima a la presión de 1,5 Bar. Dependiendo del número de erogatorios se tienen los siguientes volúmenes efectivos y potencias instaladas:

1 grupo	litros 3,5	1300 Watt
2 grupos	litros 7	2000 Watt
3 grupos	litros 11	3000 Watt
4 grupos	litros 14,5	3800 Watt

En algunos mercados hay disponibles elementos térmicos de mayor potencia para las calderas de vapor. En las extremidades de la cubierta cilíndrica están situadas las tapas, siendo una de ellas la sede de las resistencias eléctricas de calefacción y vaporización del agua que permiten la obtención de presión a

25'. El mantenimiento de la presión se realiza gracias a un aparato que conserva los niveles constantes. Sobre la caldera se aplican varias conexiones para los accesorios de seguridad, para los servicios de agua caliente y vapor, y para la alimentación.

**2. Caldera del café**

Puesta a prueba hidráulica a una presión máxima de 16 Bar, resulta idónea a una presión de 9 Bar. Según el número de erogatorios se tienen los siguientes volúmenes efectivos y potencias instaladas:

1 grupo	litros 1,8	1000 Watt
2 grupos	litros 3,4	1400 Watt
3 grupos	litros 5,0	1600 o 1900 Watt
4 grupos	litros 3,4 + 3,4	1400 +1400 Watt (dos calderas instaladas)

Se construye con una cubierta cilíndrica de longitud variable dependiendo del número de grupos erogatorios de café y se realiza en acero inoxidable. En las extremidades de la cubierta cilíndrica se sitúan las tapas y, en una de ellas, las resistencias eléctricas de calentamiento del agua. Gracias a un termostato de precisión con dT de ± 0,5°C mantienen la temperatura del agua, temperatura que puede ser adecuada a la óptima para diferentes mezclas de café. Sobre la caldera se sitúan los grupos erogatorios.

**3. Grupo erogatorio**

Consta de un bloque en acero inoxidable. Sobre este, se inserta el mango porta-filtros, en el que se coloca la dosis de café en polvo. Desde aquí, por el orificio, el café exprés cae en la taza que debe situarse debajo, después

de haber accionado el mando de erogación.

**4. Cubierta**

Está formada por una funda en lámina de acero esmaltado y acero inoxidable. La estructura es el fruto de una serie de estudios específicos para satisfacer, no solo una función estética, sino también para disminuir los gastos ergonómicos del usuario y reducir al mínimo las posibilidades de daños.

**5. Bomba Eléctrica**

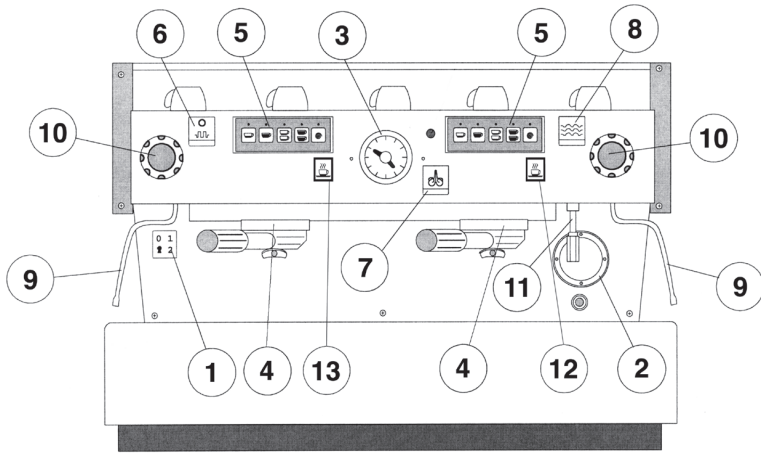
La bomba paletas rotativas queda instalada sobre las tuberías de suministro de agua. Está siempre preparada para entrar en funcionamiento con cada accionamiento de los grupos erogatorios de café y, mediante un medidor de nivel eléctrico, lista para reponer el agua consumida de la caldera de agua.

**⚠ ATENCIÓN ⚠**

LA CALDERA DE CAFÉ Y LA CALDERA DE VAPOR CONTIENEN AGUA A ALTA TEMPERATURA. LA TEMPERATURA DEL AGUA SUPERIOR A 125°F/52°C PUEDE CAUSAR QUEMADURAS GRAVES O LA MUERTE POR ESCALDADURAS. (CALDERA DEL CAFÉ 200°F/93,3°C-CALDERA DE VAPOR 260°F /127°C)

**⚠ ATENCIÓN ⚠**

ESTA MÁQUINA NO DEBE SER USADA POR PERSONAS (INCLUIDOS NIÑOS) CON CAPACIDADES FÍSICAS, SENSORIALES O MENTALES REDUCIDAS, O CON FALTA DE EXPERIENCIA Y CONOCIMIENTO, EXCEPTO BAJO SUPERVISIÓN O SI HAN SIDO CAPACITADAS EN EL USO DE LA MISMA POR UNA PERSONA RESPONSABLE DE SU SEGURIDAD.



**Leyenda**

- 1 Interruptor general
- 2 Ventanilla del nivel de agua
- 3 Manómetro
- 4 Grupos de erogación de café
- 5 Pulsadores para la erogación de café (Modelo AV)
- 6 Interruptor del caliente-tazas (máquinas no UL)
- 7 Pulsador para la erogación de agua caliente
- 8 Interruptor llenado manual
- 9 Suministrador de vapor
- 10 Mando para la erogación de vapor
- 11 Suministrador de agua caliente
- 12 Interruptor erogación manual

**Descripción general**

La máquina modelo AV se construye en las versiones 1, 2, 3 y 4 erogatorios y, fundamentalmente, presenta las mismas características que el modelo EE. Este modelo se diferencia del EE porque permite al usuario preparar a su gusto cuatro cantidades de agua diferentes en erogación. Para cada grupo erogatorio está previsto un cuadro de mandos con 5 teclas, dispuesto a satisfacer las peticiones de la clientela:

- 1 dosis de agua para 1 café normal;
- 1 dosis de agua para 1 café largo;
- 1 dosis de agua para dos cafés normales;
- 1 dosis de agua para dos cafés largos;

La quinta tecla se utiliza como programador de las otras, como se verá más adelante, y como interruptor ofrece erogación continua si se desea.



**fig. 3 - MODELO AV a 1, 2, 3 y 4 grupos erogatorios**

**Cuadro de mandos para la erogación de café del modelo AV**

### 3. Instalación

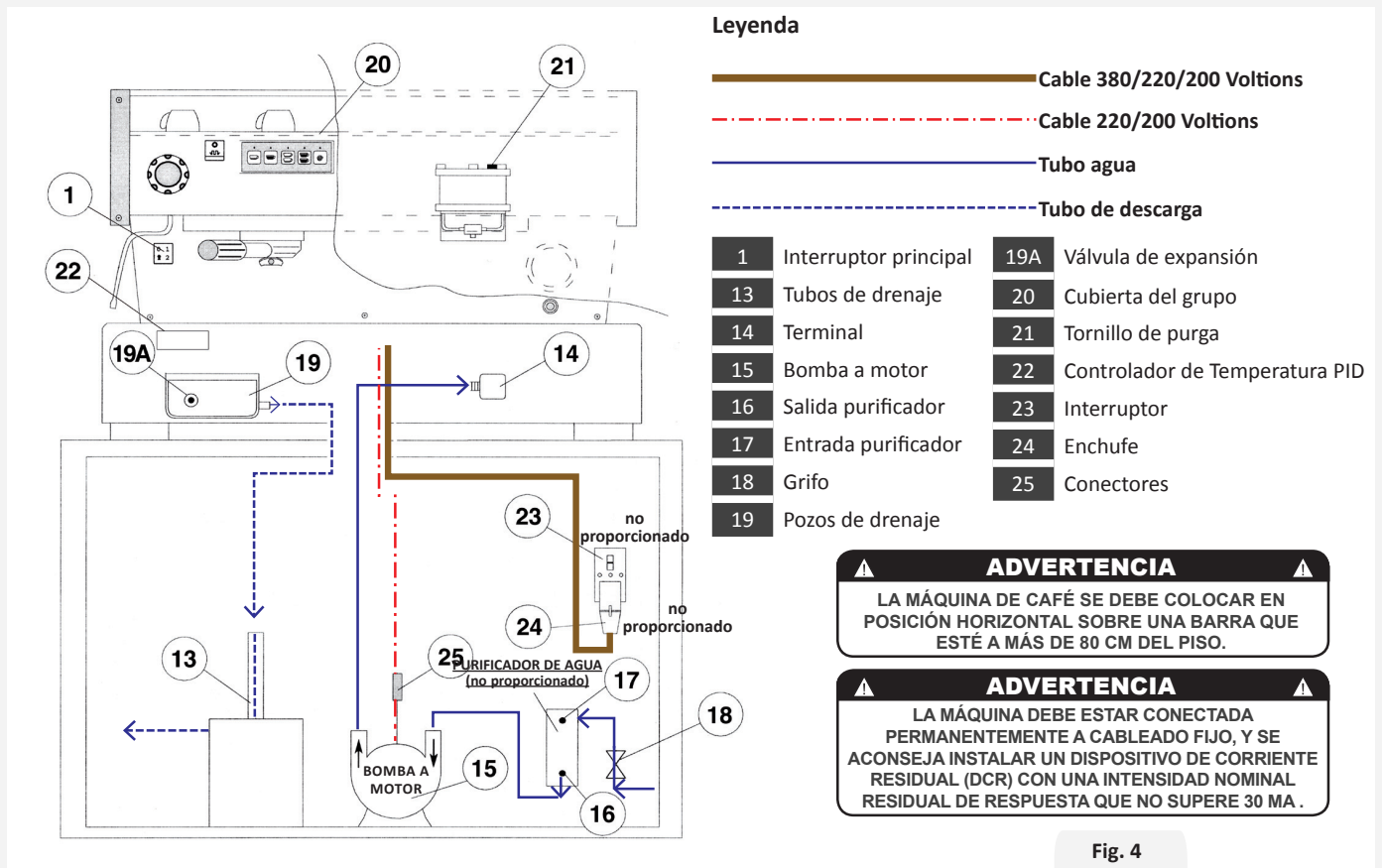


Fig. 4

## MODELOS "EE", "AV" y "PADDLE" 1, 2, 3 e 4 grupos erogatorios

### 1) Accesorios

Controle que en el embalaje, además de la máquina completa con los grupos erogatorios, haya:

- filtros para 1 y 2 dosis y suficientes para el número de grupos de la máquina;
- 1 filtro de 1 y 2 dosis de recambio;
- 1 utensilio para prensar el café en polvo;
- 1 filtro ciego;
- detergente para los grupos;
- 3 mangueras trenzadas de acero inoxidable para conexiones hidráulicas
- 1,5 mt. de tubo de plástico reforzado para la descarga.
- 1 pequeña correa para sujetar los tubos.

**ATENCIÓN**  
EN CADA INSTALACIÓN, LA MÁQUINA DEBE ESTAR EQUIPADA CON UN JUEGO NUEVO DE TUBOS HIDRÁULICOS Y LAS JUNTAS RELACIONADAS.

Para llevar a cabo la instalación es necesario poder contar con:

- Tubos para el agua potable con conexión final de 3/8" G (BSP); (Compresión 3/8" para EE.UU. y Canadá)
  - Suministro eléctrico según la especificación de la máquina expreso comprada (no todas las especificaciones están disponibles en todos los mercados):
- Conexión eléctrica monofásica/trifásica 220VAC - 50/60 Hz con conexión a tierra, receptáculo protegido y disyuntor

aprobado

- Conexión eléctrica monofásica 220VAC - 50/60 Hz con conexión a tierra, receptáculo protegido y disyuntor aprobado
- Conexión eléctrica trifásica, 380VAC - 50/60 Hz con neutro + tierra, cerca de la barra donde está instalada la máquina, terminada en un receptáculo de cinco polos convenientemente protegido y equipado con un disyuntor aprobado
- conductor de descarga

#### Nota:

- El grifo de cierre del agua potable y los interruptores terminales de la línea de la corriente eléctrica, tendrán que encontrarse en la posición más adecuada para ser manejados por el barman de forma fácil y veloz.
- La máquina se debe colocar sobre una superficie plana y en ambientes con las siguientes temperaturas: Temperatura mínima ambiente: 5°C/41°F Temperatura máxima ambiente: 32°C/89°F
- Si la máquina ha sido temporalmente colocada en habitaciones con temperatura ambiente inferior a 0°C/32°F, póngase en contacto con un técnico antes de usar la máquina.
- La presión del agua debe ser entre 2 y 6 bars.

**ATENCIÓN**  
VOLTAJE PELIGROSO DESCONECTAR DE LA FUENTE DE ALIMENTACIÓN ANTES DE REALIZAR ALGUNA TAREA

### 2) Conexión a la red hídrica

Para conectar la máquina a la red hídrica, seguir las indicaciones del capítulo que se refiere a la instalación de la máquina, en particular, aquellas relacionadas con las normas de seguridad hidráulica propias de cada país en el cual se instala la unidad.

Para garantizar el funcionamiento correcto y seguro de la máquina, mantener un nivel adecuado de sus prestaciones y garantizar una calidad elevada de la bebida erogada, es oportuno que el agua de ingreso tenga una dureza superior 9°f (90ppm, 5°d) e inferior a 15°f (150ppm, 8.4°d), pH entre 6,5 y 8,5 y una cantidad de cloruros disueltos inferior a 50 mg/l. El respeto de estos valores permite a la máquina funcionar con la máxima eficiencia. Si estos parámetros no son conformes, se debe prever la presencia de dispositivos específicos, haciendo referencia en cada caso a las normas nacionales vigentes en materia de potabilidad del agua.

Realizar la conexión del eventual filtro/depurador de agua a la red de agua potable por medio de uno de los tubos flexibles de acero inoxidable trenzados. Antes de conectar la bomba del agua a la máquina expreso, dejar correr el agua para eliminar los eventuales residuos que, de lo contrario, podrían depositarse en las sedes de los grifos y las válvulas, y comprometer la funcionalidad adecuada de la unidad.

Realizar la conexión de erogación de agua potable de la máquina expreso a la salida del agua usando uno de los tubos de acero inoxidable trenzado que se entregan con el equipo. Luego, realizar la conexión de entrada de la bomba de agua a la salida del eventual

filtro/depurador.

**Nota:** Asegúrese de que haya siempre suministro de agua mientras funciona la bomba; de lo contrario, puede entrar aire en la caldera del café y causar una condición no deseada, y dañar la bomba.

### 3) Conexiones eléctricas

**ATENCIÓN**  
ANTES DE REALIZAR ALGUNA CONEXIÓN ELÉCTRICA, ASEGURARSE DE QUE LOS 2 CONECTORES DE ALIVIO DE TENSIÓN ESTÉN FIRMEMENTE ASEGURADOS AL CUERPO DE LA MÁQUINA PARA EVITAR TENSIONES INADVERTIDAS DE LOS CABLES DE ALIMENTACIÓN.

**ATENCIÓN**  
EL FABRICANTE DECLINA TODA RESPONSABILIDAD EN CASO DE PRODUCIRSE UN EVENTO QUE RESULTE EN ACCIONES LEGALES POR RESPONSABILIDAD CUANDO NO SE HAYA COMPLETADO LA CONEXIÓN A TIERRA SEGÚN LAS REGLAMENTACIONES LOCALES, NACIONALES E INTERNACIONALES, Y LOS CÓDIGOS DE ELECTRICIDAD VIGENTES, O SI OTRAS PARTES ELÉCTRICAS NO SE HAN CONECTADO CORRECTAMENTE.

#### a) Cable de alimentación

- Éste es el cable de alimentación principal que suministra energía a toda la máquina exprés. Existen tipos diferentes de cables según los requisitos eléctricos de la máquina exprés comprada

→ Cable monofásico de 3 conductores, 9

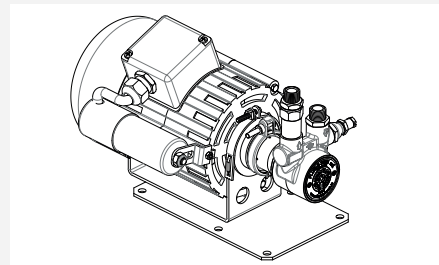
200/220VAC, con sección transversal 2,5/4/6/10 mm<sup>2</sup> o AWG 12/10/8 (para la versión UL), asegurado a la máquina exprés mediante un conector de alivio de tensión

→ Cable trifásico de 4 conductores, 220VAC, con sección transversal 4 mm<sup>2</sup> para las versiones con 1, 2, 3 y 4 grupos asegurado a la máquina exprés mediante un conector de alivio de tensión

→ Cable trifásico de 5 conductores, 380VAC, con sección transversal 2,5/6 mm<sup>2</sup> para las versiones con 1, 2, 3 y 4 grupos asegurado a la máquina exprés mediante un conector de alivio de tensión

**ATENCIÓN**  
- EE.UU. Y CANADÁ SOLAMENTE -  
NO CONECTAR A UN CIRCUITO QUE FUNCIONE A MÁS DE 150 V PARA REALIZAR LA DESCARGA A TIERRA EN CADA PATA

**ATENCIÓN**  
PARA EVITAR RAJADURAS O FUGAS: NO ALMACENAR NI INSTALAR LA MÁQUINA DE CAFÉ EN LUGARES DONDE LA TEMPERATURA PUEDE CONGELAR EL AGUA DE LA CALDERA O DEL SISTEMA HIDRÁULICO.



**ATENCIÓN**  
LA BOMBA A MOTOR DEBE ESTAR UBICADA CERCA DE LA MÁQUINA EN UN LUGAR ACCESIBLE PARA MANUTENCIÓN PERO EVITANDO LA INTERFERENCIA ACCIDENTAL, Y DONDE HAYA UNA ÓPTIMA CIRCULACIÓN DE AIRE

#### b) Cable alimentación motor de bomba agua

Éste es el cable de alimentación del motor de la bomba de agua. El sistema electrónico interno encenderá el motor de la bomba cuando sea necesario.

- Cable de 3 conductores con sección transversal de 1,5 mm<sup>2</sup> o de 3 conectores AWG 16 (para la versión UL) asegurado a la máquina exprés mediante un conector de alivio de tensión.

#### 4) Conexión de la descarga

El drenaje de la máquina exprés se conecta mediante los tubos plásticos reforzados incluidos. Conectar un extremo del tubo de plástico reforzado a la conexión del tubo de drenaje en el lado izquierdo de la máquina exprés, y asegurar con la abrazadera para el tubo incluida. Conectar el otro extremo a un sistema apropiado de recolección de aguas servidas.

En el caso de que dicha instalación no exista y si es aceptable según las reglamentaciones locales, la recogida se podrá realizar mediante un cubo adecuado. Si se quisiese hacer una mayor descarga, se puede utilizar un tubo en PVC con alma en espiral metálica, sujeto con unas abrazaderas.

## 4. Puesta en funcionamiento y preparación del café

Realizadas las operaciones de instalación, se colocan debajo de los grupos de erogación los portafiltros (fig. 5) con los correspondientes filtros, girando de izquierda a derecha. Antes de presionar los interruptores y permitir la llegada de corriente a las resistencias, se provee el abastecimiento de agua en las calderas del modo siguiente:

### 1. CALDERA DE CAFÉ

La entrada de agua a la caldera (café) tiene lugar directamente en el momento en que se abren los grifos de las tuberías de agua y de la depuradora. Puesto que, el agua que entra en la caldera comprime el aire que esta contiene, para realizar la completa "saturación" caldera-grupos se tendrá que quitar la superficie de cobertura de los grupos (part.20, fig.4) y desenroscar un poco el pequeño perno (part.21), llamado tornillo de purga, de modo que salga el aire; espere que del mismo salgan unas gotas de agua y repita la operación en

todos los grupos erogatorios (vea el siguiente diagrama). Esto se debe repetir para cada grupo. Luego, ajuste nuevamente los tornillos de purga y vuelva a colocar la cubierta.

### 2. CALDERA DE VAPOR

Coloque el interruptor general en posición "1", de modo automático se pondrá en funcionamiento el autonivelador, que accionando la válvula eléctrica y la bomba eléctrica (part. 15), permitirá el abastecimiento de la caldera de vapor hasta llegar al nivel predispuesto por la sonda que se encuenra

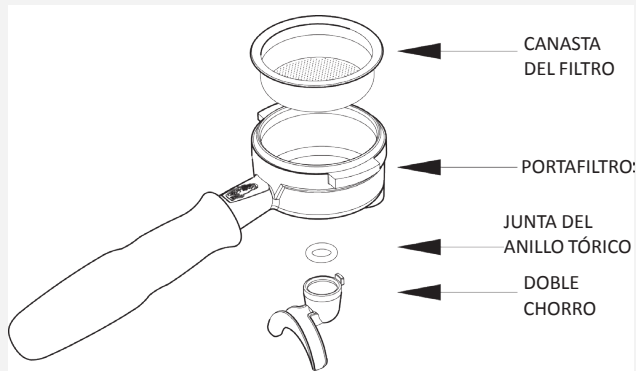
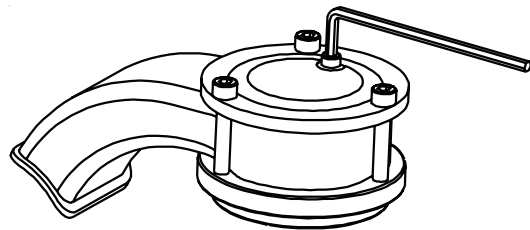


Fig. 5 - Portafiltro - Véase part. 4 fig. 1 o 3



Saturación del grupo mediante "tornillo de purga"

sumergida en la caldera.

**NOTA:**

Es posible que la entrada de agua forme cierta presión sobre el aire contenido en la caldera, que puede ser verificado en la escala del manómetro (part.3, fig.1, 2 o 3). Para resolver esto, apague la máquina y purgue el aire de los grupos (vea las instrucciones de la página anterior). Finalizadas estas operaciones, ponga el interruptor general (part.1) en la posición “2” y espere que la caldera logre la temperatura y presión adecuadas (esto supone de 20’ a 35’, dependiendo del tipo de máquina), que se mantendrán constantes automáticamente.

En este período de tiempo puede suceder que la manilla de la escala inferior del manómetro (part. 3, fig.1 o 3; o part. 4, fig. 2) llegue a 11-12 Bar. Este hecho podría repetirse cada vez que accionando los grupos, la bomba eléctrica expulse agua fría a la caldera del café a una presión de 8-9 bar; en ese momento, el termostato que regula la temperatura de la propia caldera introducirá la resistencia eléctrica para procurar la temperatura apropiada al agua que contiene. De todos modos, en este caso es necesario ajustar la válvula de expansión (fig. 4, part. 19A) de modo que la presión no supere nunca el valor de 12 Bar.

**Erogación de la primera instalación**

Una vez finalizados los procedimientos previos a la instalación indicados más arriba y antes de proceder con la erogación de café, agua caliente y vapor, realizar lo siguiente:

- Instalar los portafiltros insertándolos en

cada uno de los grupos y girándolos como se describe en el manual de uso. Luego, erogar agua durante 2 minutos como mínimo de cada grupo de café;

- erogar vapor durante un minuto como mínimo de las dos lanzas de vapor presentes en la máquina;
- erogar agua caliente durante el tiempo necesario para extraer de la caldera relativa:
  - como mínimo 1 litro para una máquina de uno/dos grupos
  - como mínimo 2 litros para una máquina de tres grupos
  - como mínimo 3 litros para una máquina de cuatro grupos



pulsante erogación de café (fig.1 part. 5)

**⚠ ATENCIÓN ⚠**

**NO RETIRE NUNCA EL PORTAFILTROS CUANDO EL GRUPO ESTÁ EN FASE DE EROGACIÓN. LA CALDERA DEL CAFÉ CONTIENE AGUA A TEMPERATURA ELEVADA. LAS TEMPERATURAS DEL AGUA SUPERIORES A 125°F / 52°C PUEDEN CAUSAR QUEMADURAS GRAVES INSTANTÁNEAMENTE O LA MUERTE POR ESCALDADURAS.**

**Para el modelo EE - fig. 1**

Tome un portafiltro y coloque un poco de café molido en el filtro: las cantidades sugeridas (en gramos) a usar están marcadas con láser en los filtros. Se prensa el café con el accesorio correspondiente y se vuelve a colocar el portafiltros bajo el grupo pulsando el interruptor (part.5). De este modo inicia la erogación de la bebida. Cuando haya obtenido la cantidad deseada de café, se presiona de nuevo el interruptor (part.5) y, automáticamente, se descarga la presión que se ha creado en el portafiltros. En ese momento el sistema está preparado para repetir una nueva operación.

**Para el modelo PADDLE - fig. 2**

Tome un portafiltro y coloque un poco de café molido en el filtro: las cantidades sugeridas (en gramos) a usar están marcadas con láser en los filtros. Presione sobre el café molido con el pisón provisto y enganche el portafiltro en el grupo. Mueva la manija del grupo de derecha a izquierda (parte 1) para permitir que se haga el café; cuando haya obtenido la cantidad deseada de café, vuelva a colocar la manija en la posición original, hacia la derecha; en este momento, la máquina descarga la presión que se juntó en el portafiltro. Luego se puede quitar para continuar haciendo cafés. Para realizar una infusión previa del café en el filtro, una vez que el portafiltro se haya enganchado en el grupo, mover la manija sólo la mitad del recorrido de derecha a izquierda durante unos segundos, luego moverla todo el recorrido hacia la izquierda para hacer el café exprés hasta que se haya vertido la dosis deseada en

la taza. Luego, apagar volviendo a colocar la manija en su posición original, hacia la derecha.

### **Para el modelo AV - fig. 3**

Resulta indispensable realizar la programación de la cantidad de agua suministrada, por lo tanto, se indican los siguientes pasos que deben ser efectuados con la mayor atención. En caso de dudas o dificultades contacte con el servicio técnico.



### **Introducción**

El sistema de dosificación de café está basado en el cálculo del agua que llega en erogación sobre el café en polvo, que previamente ha sido colocado en el filtro y portafiltro. Este hecho tiene lugar mediante un sistema de control del volumen del agua, situado sobre la arandela del cuerpo del grupo que lo fija a la caldera.

En el interior de cada contador hay una pieza giratoria (a la que llamaremos por comodidad ventolino) que da vueltas con el paso del agua. La secuencia del ciclo del agua es la siguiente:

- grupo → contador
- contador → válvula eléctrica
- válvula eléctrica → sistema difusor
- sistema difusor → orificio de erogación de café.

El ventolino está colocado de modo tal que puede girar libremente con el paso del agua y enviar n° 2 señales, con cada giro que cumple, a la centralita electrónica. Esta elabora y pone en acción la conexión de la válvula eléctrica perteneciente al correspondiente grupo erogatorio y la conexión de la bomba eléctrica. Dicha centralita elabora también la señal de sonda de nivel de la caldera de vapor y, consecuentemente, pone en funcionamiento el enlace de la válvula eléctrica de la propia bomba eléctrica.

### **Procedimiento para la programación de las dosis - fig. 3**

Programación para la versión 3D/5

Presionar el botón con la @ durante más de 4 segundos.



El resto de operaciones son idénticas a las de la versión standard más arriba señaladas.

Después de 5 segundos que los signos están encendidos, si no se presiona ninguna tecla, se apagan. En ese caso, se debe repetir el procedimiento anterior para encenderlos de nuevo y dejar la centralita preparada para la programación.

**1.** Antes de que pasen 5 segundos, presione el primer botón y vuelva a presionarlo cuando en la taza se encuentre la cantidad de café deseado. Entonces, los signos se apagan y la tecla queda programada por la dosis

anteriormente elaborada;

**2.** repita las fases para los otros tres botones y cada vez que una tecla se programe. Cuando se vuelva a presionar el botón con la espiral, el signo del/los pulsante/s se quedar-/n apagado/s.

**3.** programadas las primeras 4 teclas del primer cuadro de mandos de la izquierda, los programas de dosificación permanecerán memorizados de esa manera. El 5° botón (el de la espiral) asumirá nuevamente su función de interruptor para la erogación continua y detención de la misma.

### **NOTA**

Los restantes grupos erogatorios aceptarán la programación del primer grupo de la izquierda. Si se desea, se puede realizar una programación diferente para el resto de los grupos, siguiendo el procedimiento de 1 a 5 indicado para cada uno de los restantes cuadros. El cuadro de la izquierda tiene que ser el primero que se programe, de hecho, si este fuese programado en último lugar, pasaría su propia dosificación a las restantes.

Se recomienda programar cada grupo por separado, de izquierda a derecha. Cada tecla cumple además la función de interruptor, por lo que, si se desea parar la erogación de un café largo en el momento que se considera suficiente, se puede presionar la tecla rápidamente sin esperar a que finalice la dosis programada.

### **Indicación de anomalías**

En caso de que el ventolino no envíe señales a la centralita durante un tiempo superior a

3-4 segundos, el signo del pulsante presionado comenzará a enviar señales luminosas. Esto significa que:

A) algo no funciona en la llegada de agua al ventolino y, por lo tanto, al café. Las causas podrían ser:

1. molidura excesivamente fina y, por este motivo, erogación de café demasiado lenta (gota a gota). El ventolino no puede controlar el paso del agua en el tiempo establecido para la formación de la centralita electrónica.

2. Llegada de agua insuficiente (sobre el café en polvo) posiblemente debido a una combinación de las siguientes circunstancias:

- oclusión parcial de algún tubo;
- funcionamiento defectuoso de la bomba eléctrica;
- funcionamiento defectuoso de la válvula eléctrica;
- oclusión parcial del filtro del difusor.

B) residuos calcáreos en el interior del contador de paso de agua que impiden al ventolino girar libremente.

C) ineficacia del ventolino mismo y de la cabecera del contador (parte superior) situado debajo del ventolino.

#### **Erogación de café**

Tome un portafiltro y coloque un poco de café molido en el filtro: 1 dosis para el filtro pequeño, 2 dosis para el filtro más grande. Se prensa el contenido con el prensa-café que forma parte de los accesorios de la máquina, y se coloca de nuevo el portafiltros debajo del grupo. Para que salga el café por el orificio, hay que presionar una de las teclas con los símbolos de 1 o 2 cafés cortos o largos.

13



Para llevar a cabo una disminución de la erogación de café no prevista en la programación, se debe solamente presionar otra vez el botón anteriormente pulsado.

Si es necesario usar una cantidad inusual de café, puede presionar el botón con el símbolo de espiral y luego presionarlo nuevamente una vez obtenida la cantidad deseada.



Cuando la erogación llega a su fin automáticamente, la presión que se crea en el portafiltros se descarga, si fuese necesario, el porta filtro luego se puede sacar para repetir la operación.

### **INFORMACIÓN GENERAL PARA LA PREPARACIÓN DE CAFÉ**

Cuando la máquina llega a una presión de 1,2 - 1,5 Bar, verificable sobre la escala que está situada en lo alto del manómetro (part.3, fig.1, 2 o 3), y al mismo tiempo, a la temperatura adecuada, a pesar de que el cuerpo/grupo tenga ya la temperatura de infusión, el portafiltro y el filtro, dado que están situados en la parte más baja del grupo y que se encuentran aislados del mismo por la guarnición en goma, tienen que calentarse. Para hacer esto se deben accionar la manija (fig. 2, part. 1) o los interruptores (part. 5, fig.1 o 3) y mantenerlos en posición de erogación durante aprox. 45 segundos. Después se apagan los interruptores y se esperan otra vez 2 - 3 minutos.

En este periodo de tiempo, puede suceder que la manilla de la escala inferior del manómetro (part. 3, fig. 1 o 3; o fig. 2, part. 4) llegue también a 11-12 Bar, pudiéndose verificar este hecho cada vez que se accionan los grupos. Entonces, la bomba eléctrica expulsará agua fría a la caldera de café con una presión de 8 - 9 Bar. y, al mismo tiempo, el termostato que regula la temperatura de la caldera introducirá la resistencia eléctrica para ajustar la temperatura del agua que contiene. De todos modos, en este caso, es necesario adaptar la válvula de expansión 19A (fig.4), de modo que la presión no supere el valor de 12 Bar.

Para obtener una buena bebida es importantísimo, además obviamente del tipo de mezcla, el grado de molidura del café, que puede averiguarse realizando algunos cafés

con los grados de molidura que se pretenden utilizar para cada taza (el mínimo aconsejado es de 7 gr.)

La molidura idónea es aquella que permite una salida libre de la bebida por los orificios del portafiltros: ni demasiado lenta, ni demasiado veloz.

### **IMPORTANTE**

La temperatura del agua de la caldera de café, y, por consiguiente, de los grupos puede ser aumentada o disminuida por medio del termostato expreso para esta función (part.22, fig.4) - para más detalles, consulte el siguiente capítulo. El ajuste final debe realizarse durante la puesta a punto, una vez que la máquina esté instalada permanentemente. La presión del agua en distribución sobre el café es muy importante. Por este motivo es fundamental ajustar el by-pass sobre la bomba a 9 Bar. Este valor cambia si se producen variaciones de presión sobre la red hídrica. Si éstas están presentes es importante adoptar medidas técnicas sobre la instalación para eliminarlas.

## 5. Controlador de Temperatura PID

### Descripción

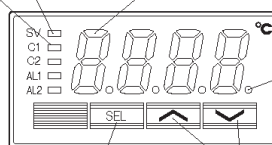
#### Descripción de la pantalla frontal:

##### Nota

En las máquinas de 1, 2, 3 grupos, el controlador PID está instalado a la izquierda. En las máquinas de 4 grupos, a la izquierda y la derecha.

Luz piloto de la caldera del café ①

⑥ Lámpara SV ② Visor



⑤ Lámpara de ajuste automático/auto

③ Tecla SEL ④ Teclas

\*\*\* VP: valor de proceso: temp. medida  
VD: valor de definición: temp. fijada

vea también la fig. 4 - part. 20

#### 1) Luz piloto de la caldera de café

Luces encendidas mientras salida de control 1 está en ON. es decir, calefactor en ON

#### 2) Visor

Muestra el VP (valor de proceso) o VD (valor de definición). Cuando se define un parámetro, aparece su nombre o su valor.

#### 3) Tecla SEL

Se usa para cambiar la visualización VP a/de la visualización VD y seleccionar un bloque de parámetro y un parámetro, y registrar un valor definido.

#### 4) Teclas

Se usan para cambiar el VD, invocar parámetros y cambiar valores de parámetros.

#### 5) Lámpara de ajuste automático/auto

Destella durante la operación de ajuste automático o auto. ver más detalles en el Manual \* (ver página 16)

#### 6) Lámpara VD (valor de definición)

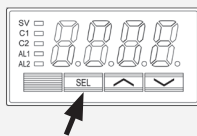
Muestra el VP (valor de proceso) en condiciones normales (mientras la lámpara está encendida). Pulse la tecla SEL para encender la lámpara VD y mostrar el VD. Observe que la lámpara permanece apagada mientras se visualizan los parámetros y datos.

Destella cuando se visualiza el VP (valor de proceso) en modo de espera.

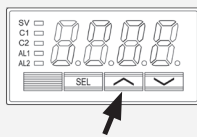
## Operaciones básicas

### Cómo definir y visualizar los valores:

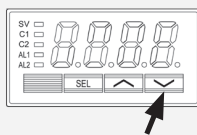
Pulse el botón SEL para visualizar el valor



Pulse una vez para aumentar el valor en 1  
Mantenga pulsado este botón para aumentar el valor deseado; luego, espere unos segundos para salir automáticamente de la función de programación.



Pulse una vez para disminuir el valor en 1  
Mantenga pulsado este botón para disminuir el valor deseado; luego, espere unos segundos para salir automáticamente de la función de programación.



\* Para informaciones más detalladas sobre las potencialidades de este aparato consultar:

**PXR3\_Fuji\_Micro\_controller\_Manual.pdf**

Para una mejor asistencia dirigirse al Servicio post venta de La Marzocco,

[enrico@lamarzocco.com](mailto:enrico@lamarzocco.com)

[ettore@lamarzocco.com](mailto:ettore@lamarzocco.com)

## 6. Erogación de Vapor y Agua Caliente

### CALENTAR LA LECHE CON VAPOR

Antes de CADA uso de vapor, realizar una erogación en vacío para garantizar la descarga de la eventual condensación acuosa que se puede formar dentro de la lanza. Luego, continuar con las indicaciones del manual de uso.

Inserte una de las 2 boquillas (parte 9, fig. 1 ó 3) que están conectadas al grifo de vapor en el líquido que se va a calentar, gire la perilla (parte 10, fig. 1 ó 3) gradualmente hasta que salga el vapor a través de la boquilla (1).

El vapor transferirá el calor al líquido y llevará la temperatura al punto de ebullición.

Tenga cuidado de que el líquido no desborde para evitar quemaduras graves.

Para preparar la leche para hacer un capuchino con la cantidad correcta de espuma, siga los pasos que se detallan a continuación:

- Coloque el contenedor lleno con leche hasta la mitad debajo de la boquilla de vapor
- Abra el grifo inmediatamente y lleve la temperatura de la leche al nivel que desea
- Luego, puede verter la leche en una taza que contenga café expreso tibio y obtendrá un buen capuchino

Para evitar que parte de líquido que se va a calentar sea aspirado y vuelva a la caldera (debido a una posible descompresión

temporal dentro del tanque de la caldera), lo cual haría que el vapor y el líquido que salen de la boquilla, parte 9, y boquilla parte 11, respectivamente, tengan olor desagradable, le recomendamos purgar el vapor de la máquina una o dos veces durante unos segundos, lo cual consiste en abrir y cerrar rápidamente el grifo (parte 10) con la boquilla (parte 9) no inmersa en el líquido antes de comenzar a erogar el vapor.

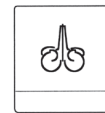
Tenga cuidado de no quemarse con el vapor.

Además, una vez que haya inmerso la varilla de vapor en el líquido dentro de la jarra, abra el grifo de vapor inmediatamente. Una vez que se haya calentado el líquido, haga lo siguiente:

- disminuya la presión del vapor
- extraiga la jarra
- cierre el grifo de vapor

### EROGACIÓN DE AGUA CALIENTE

Usted puede obtener agua caliente usando la boquilla fija (fig. 1 ó 3), ubicada entre el grupo del extremo derecho y la boquilla de vapor (parte 9, fig. 1 ó 3), y presionando el botón (parte 7, fig. 1 ó 3) que controla la erogación del agua caliente.



## 7. Operaciones de mantenimiento y limpieza periódica

### ATENCIÓN

LA MÁQUINA SE DEBE INSTALAR DE FORMA TAL QUE EL PERSONAL CALIFICADO PUEDA ACCEDER A ELLA FÁCILMENTE PARA REALIZAR EVENTUALES TAREAS DE MANUTENCIÓN.

### ATENCIÓN

NO SUMERGIR LA MÁQUINA EN AGUA Y EVITAR SALPICADURAS DE AGUA DURANTE LA LIMPIEZA. PARA LAS OPERACIONES DE LIMPIEZA, SEGUIR CUIDADOSAMENTE LAS INSTRUCCIONES QUE SE LISTAN A CONTINUACIÓN.

### ATENCIÓN

NO quite nunca el portafiltros cuando se encuentre en fase de trabajo. Esta operación resulta muy peligrosa, porque la presión que se desarrolla en el filtro ciego puede crear salpicaduras violentas de agua caliente y ligeramente cáustica que pueden provocar graves quemaduras. La caldera del café contiene agua a temperatura elevada. Las temperaturas del agua superiores a 125°F / 52°C pueden causar quemaduras graves instantáneamente o la muerte por escaldaduras.

- Haga una taza de café para eliminar el sabor desagradable.

#### Limpieza de la cubeta de descarga

Cada noche, al cierre, quite la rejilla donde apoya las tazas, retire la cubeta de recogida del agua de descarga y límpiela. Controlar al menos 2 veces por semana y limpiar también la cubeta de descarga (part. 19) quitando el fanguillo en el fondo, ayudándose con una cucharilla.

#### Limpieza de la cubierta

Use un paño suave deslizándolo a lo largo de la superficie de acero inoxidable. No use en ningún momento alcohol o disolventes sobre las partes en las que hay inscripciones o pintura para evitar su deterioro.

#### Limpieza de los suministros de vapor y agua caliente

Los suministros de vapor tienen que limpiarse rápidamente después del uso con un paño húmedo y con una breve aspersión de vapor, con el fin de evitar la formación de incrustaciones dentro de los agujeros del vaporizador que podrían alterar el sabor de las bebidas al calentarlas.

#### Limpieza duchas erogación rejilla de infusión

Por culpa de la operación de descarga del portafiltros (después de la erogación de café) puede suceder que pequeños residuos de polvo de café se queden obstruyendo, también parcialmente, la pequeña rejilla de infusión. Para limpiarla, primero extráigala aflojando el

#### Limpieza de los grupos y pozos de drenaje

Inserte el filtro ciego en el porta-filtro, coloque la cantidad correcta de producto de limpieza de máquinas de café exprés (siguiendo las instrucciones del producto) en el filtro y enganche el porta-filtro en el grupo que desea limpiar.

- Presione el botón de hacer café que corresponde a dicho grupo, como si estuviese haciendo una taza común de café. Detenga la salida de agua durante 15-20 segundos.
- Arranque y detenga el grupo varias veces hasta que vea que el agua que sale es limpia y no jabonosa cuando extrae el porta-filtro.

**No extraiga el porta-filtro cuando el grupo está procesando el agua.**

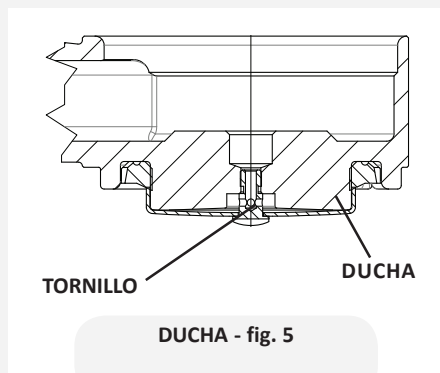
- Enjuague el grupo usando un filtro normal en el porta-filtro haciendo correr agua caliente a través de él varias veces.

#### Limpieza de los filtros y manijas del filtro

Si se realiza una limpieza diaria de los filtros de acero inoxidable y de los porta-filtros, es suficiente limpiarlos con agua y un paño, o un cepillo apropiado. De lo contrario, usando un producto de limpieza de máquinas de café exprés, siguiendo las instrucciones del producto, coloque la dosis correcta en aproximadamente 1/2 litro de agua dentro de un contenedor resistente al calor y caliéntelo.

- Si usa porta-filtros de acero inoxidable con boquillas de sujeción, extraiga la boquilla. Sumerja los filtros y las partes metálicas de los porta-filtros (no las manijas) en la solución caliente y déjelos sumergidos durante aproximadamente 30 minutos.
- Enjuague bien con agua limpia y haga pasar agua caliente a través del grupo varias veces con el filtro y el porta-filtro enganchados.

tornillo de fijación, luego déjela en remojo en solución detergente.



#### Bomba eléctrica

Es de tipo volumétrico y logra desarrollar una presión de 14 Bar. La presión en uso, precedentemente puesta a prueba en nuestras oficinas en las fases de verificación, es de 8 - 9 Bar. En cualquier caso, esta puede variar de localidad a localidad, dado que la presión del agua corriente entrante afecta la presión de la bomba. Siempre debe controlar la presión con la escala inferior del manómetro (part.3, fig.1 o 3; part. 4, fig. 2) en el momento que se está haciendo el café y, si es necesario, puede aumentarse, girando en el sentido de las manillas del reloj el tornillo del by-pass (situado debajo del tapón en el lateral donde está conectada la alimentación de la bomba); o disminuirse, girando el tornillo en sentido contrario a las manillas. Esta regulación tiene

que realizarse con, al menos, un grupo en proceso de erogación de café.

#### IMPORTANTE

Accionando la bomba eléctrica por medio de la tecla (part. 8, fig. 1 o 3) se alimenta directamente también la caldera de café.

Si se acciona la bomba eléctrica, cuando la máquina está fría, en la caldera se desarrollará una presión en frío de 8 - 9 Bar; por esto, en el momento que intervienen las resistencias y el agua se calienta, el aumento de temperatura producirá una expansión presente

en frío de c.a. 3 Bar, llegando a la presión total de 11 Bar. Una vez conseguida esta presión, la válvula de expansión tiene que entrar en funcionamiento (seguridad) (part.19A), expulsando unas gotas de agua que permiten no se sobrepasar los 12 Bar.

En caso de que la presión supere los 12 Bar, es necesario ajustar la válvula, desenroscando ligeramente la cápsula. Si dicha operación no fuese suficiente, se tendrá que desmontar la válvula y limpiarla de posibles incrustaciones calcáreas. Lo mismo sucede cuando la válvula debe permanecer abierta descargando y, por lo tanto, impidiendo que la presión llegue a c.a. 8 Bar.



Si la máquina permanece inactiva por un período superior a 8 horas o después de períodos prolongados de inactividad, es necesario prever ciclos de lavado antes de realizar la erogación para disfrutar al máximo la potencialidad de la máquina respetando las siguientes indicaciones:

- Grupos: instalar los portafiltros insertándolos en cada uno de los grupos y girándolos como se describe en el manual de uso. Luego, erogar como mínimo durante 2 minutos agua de cada grupo de café;
- Vapor: erogar vapor durante un minuto como mínimo de las dos lanzas de vapor presentes en la máquina;
- Agua caliente: erogar agua caliente durante el tiempo necesario para extraer de la caldera relativa:

- como mínimo 1 litro para una máquina de uno/dos grupos
- como mínimo 2 litros para una máquina de tres grupos
- como mínimo 3 litros para una máquina de cuatro grupos

Si la máquina no se acciona durante períodos prolongados, es oportuno seguir estas indicaciones de seguridad:

- Desconectar la máquina de la red hídrica o de todos modos interrumpir la conexión hídrica;
- desconectar la máquina de la red eléctrica.

**ATENCIÓN**

SI NO SE CUMPLEN LAS INDICACIONES MENCIONADAS MÁS ARRIBA, EL FABRICANTE NO TENDRÁ NINGUNA RESPONSABILIDAD POR DAÑOS A PERSONAS Y/O COSAS.

## 8. Conclusión del servicio y demolición

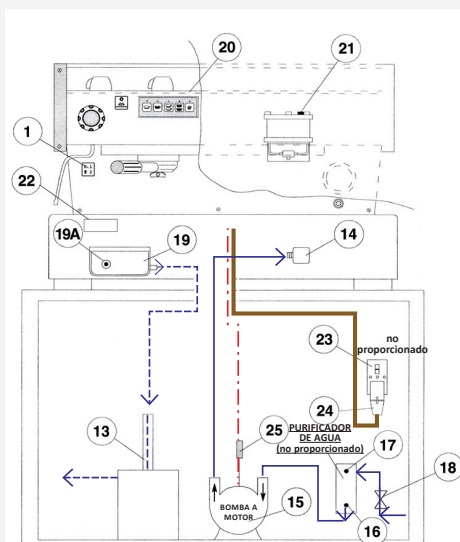


Fig. 3 (vea también la pág. 7)

Como método de prevención ponga en posición "0" el interruptor general (part.1)

### **Desconexión de la alimentación eléctrica**

En caso de conexión mediante enchufe (part. 24) asegúrese de que el interruptor (part. 23) esté apagado antes de desconectar. Interrumpa la conexión con el cable de la bomba eléctrica (part. 15) procediendo sobre el perno (part.25).

### **Desconexión del sistema de agua**

Cierre el suministro de agua con el grifo situado antes de la entrada de la depuradora. Quite los tubos de entrada a la depuradora (part. 17) localizados después del grifo de interceptación (part. 18) que por precaución está cerrado. Lleve a cabo el desmontaje de los tubos de descarga del pozo (part. 19).

En este momento la máquina puede ser retirada de la barra, teniendo cuidado en la operación, para evitar que la máquina caiga.

La máquina está compuesta de varios metales, por lo tanto, en caso de que no se haya previsto su reutilización, debe llevarse a un lugar donde se realizará el desmontaje, dividiendo los materiales para una posible recuperación o transporte a los puntos de esmaltado.

Está rotundamente prohibido por las normas vigentes el abandono de la máquina sobre suelo público o en cualquier otro lugar propiedad de terceros.

### **Aviso de Reciclaje:**

#### **Advertencia para la Protección del Ambiente:**

Los viejos aparatos eléctricos son materiales peligrosos, no caben dentro de la abitudinal basura doméstica. Rogamos los amables clientes de contribuir a la protección del ambiente y de los recursos y de entregarse aparato a los centros de recojida competentes, cuando se encuentren en el territorio.



## 9. Operaciones programadas de mantenimiento y de control

Estas operaciones son adicionales a las Operaciones de Mantenimiento y Limpieza Periódicas, que se especifican en el Capítulo 7.

Las siguientes Operaciones de mantenimiento y de control deberán ser efectuadas periódicamente por personal técnico cualificado.

**Nota:** Estas operaciones periódicas de mantenimiento no están cubiertas por la garantía.

### CADA TRES MESES

- Reemplazar las juntas del grupo
- Reemplazar los filtros del difusor
- Limpiar la sonda de llenado automático
- Verificar el buen funcionamiento del interruptor de vacío
- Inspeccionar la válvula de entrada de agua
- Inspeccionar que el sistema de drenaje no tenga fugas ni obstrucciones
- Verificar el caudal de cada grupo
- Verificar la temperatura de preparación del café
- Verificar que la presión de preparación sea 9bar
- Verificar el buen funcionamiento de todos los interruptores
- Verificar/observar la dureza del agua (La calidad debe estar dentro del rango de los parámetros especificados en el capítulo "Instalación". De lo contrario, se anulará la garantía)

### Modelo AV:

- Verificar los volúmenes de disparo
- Probar la válvula ohm del caudalímetro (esta válvula es aceptable si es mayor que 1.8 K ohm y menor que 2.2 K ohm)

### Modelo MP:

- Rearmar la válvula MP

### CADA SEIS MESES

- Rearmar los conjuntos de vapor

### TODOS LOS AÑOS

- Reemplazar las canastas del porta filtro
- Inspeccionar los émbolos de las válvulas del grupo
- Inspeccionar el interruptor de vacío
- Inspeccionar el presóstato de la caldera de vapor
- Inspeccionar el contactor
- Sustituir la válvula de sobrepresión



